

# SUBMERSIBLE STAINLESS VORTEX SEWAGE PUMP

Model: **4BSV-DS**  
10 HP @ 3450 RPM  
Solids handling: 1.75" (45 mm)



Stainless steel 316 construction.

## DISCHARGE

4" (10.16 cm) NPT flange. Includes flanged elbow at discharge.

## LIQUID TEMPERATURE

104 °F (40 °C)

## PUMP CASING

316 series stainless steel

## MOTOR COVER

316 series stainless steel

## SEAL PLATE

316 series stainless steel

## IMPELLER

**Design:** 8 vane, semi-open Vortex.

**Material:** 316 series stainless steel

## SHAFT

316 series stainless steel

## LIFTING BAIL

316 series stainless steel

## MAX. SUBMERGENCE

32.8 ft (10 meters)

## HARDWARE

316 series stainless steel

## GASKETS

Viton®

## SEAL

**Design:** double, mechanical, oil filled chamber.

**Material:** carbon-ceramic upper seal, silicon carbide lower seal, Viton® elastomers, stainless steel spring.

## MOTOR

For continuous dry running, operates at 230/460V, 3-phase, 3450 RPM, 60 Hz. Class B, IP68 protection.

## BEARINGS

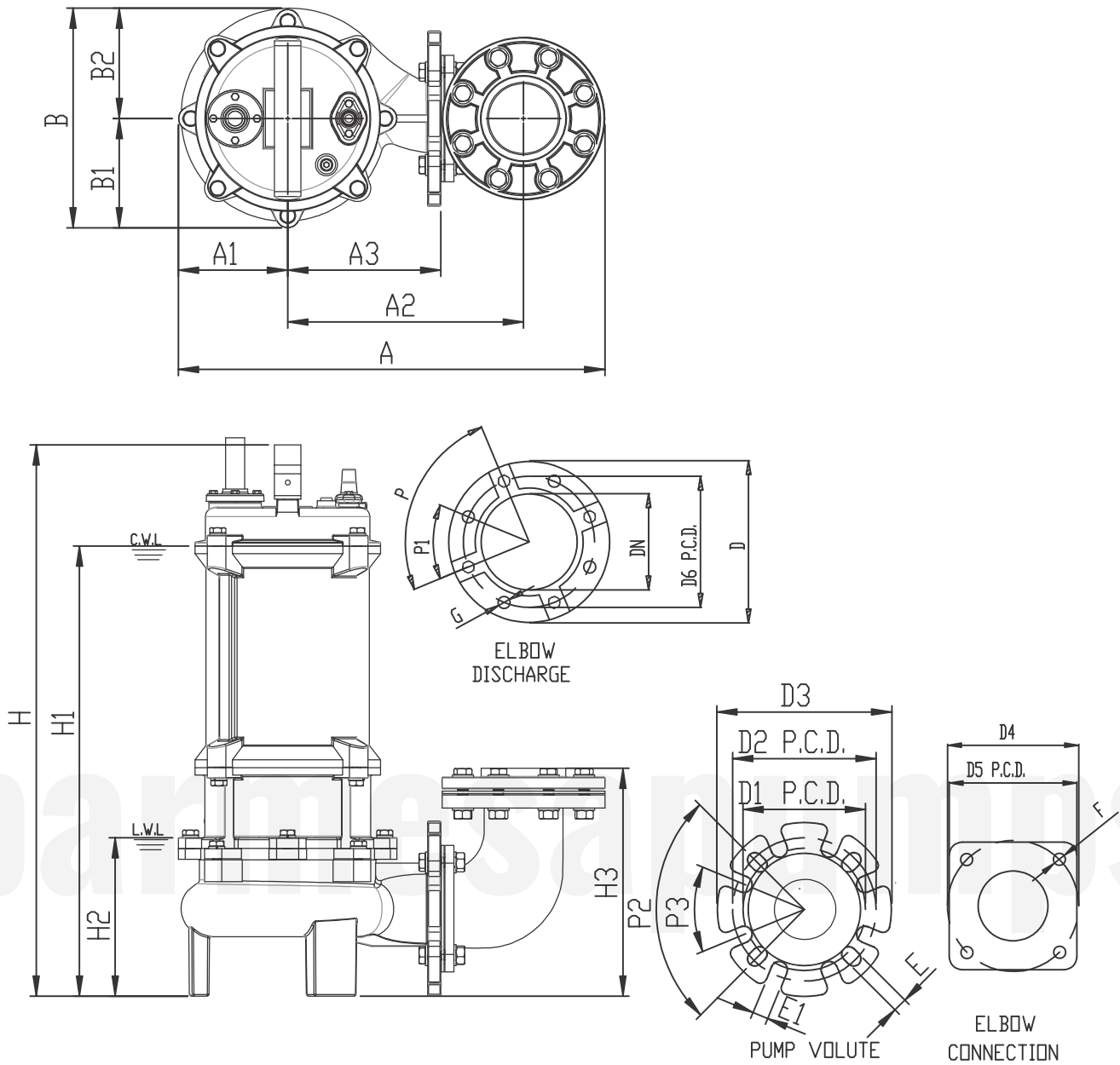
Ball type, lubricated and sealed for 60,000 hours operation. Designed for radial and axial loads.

## CORD ENTRY

Includes 40 feet of special neoprene cable. The cable is sealed preventing from moisture to leak into the motor housing.

## OPTIONAL EQUIPMENT

316 stainless steel slide rail coupling



MODEL	HP	VOLTS	PHASE	MAX. AMPS	Ø DISCHARGE	DISCHARGE MAX. (ft)	MAX. FLOW (GPM)	CORD (ft)	SPH SLD HNDLG
4BSV1003DS	10	230	3	28	4"	128	300	40	1.75"
4BSV1004DS	10	460	3	14	4"	128	300	40	1.75"

A	A1	A2	A3	B	B1	B2	D	D1	D2	D3	D4	D5	D6
19.2	4.9	10.6	6.9	9.9	4.9	5	7.2	5.5	6.5	7.9	5.5	5.9	5.9

DN	E	E1	F	G	P	P1	P2	P3	H	H1	H2	H3	WT
3	0.6	0.7	0.6	0.6	90°	45°	90°	45°	24.8	20.3	7.1	10.3	156.2

- Dimensions in inches.

\* WT = Weight in pounds, without cable.

**IMPORTANT!**

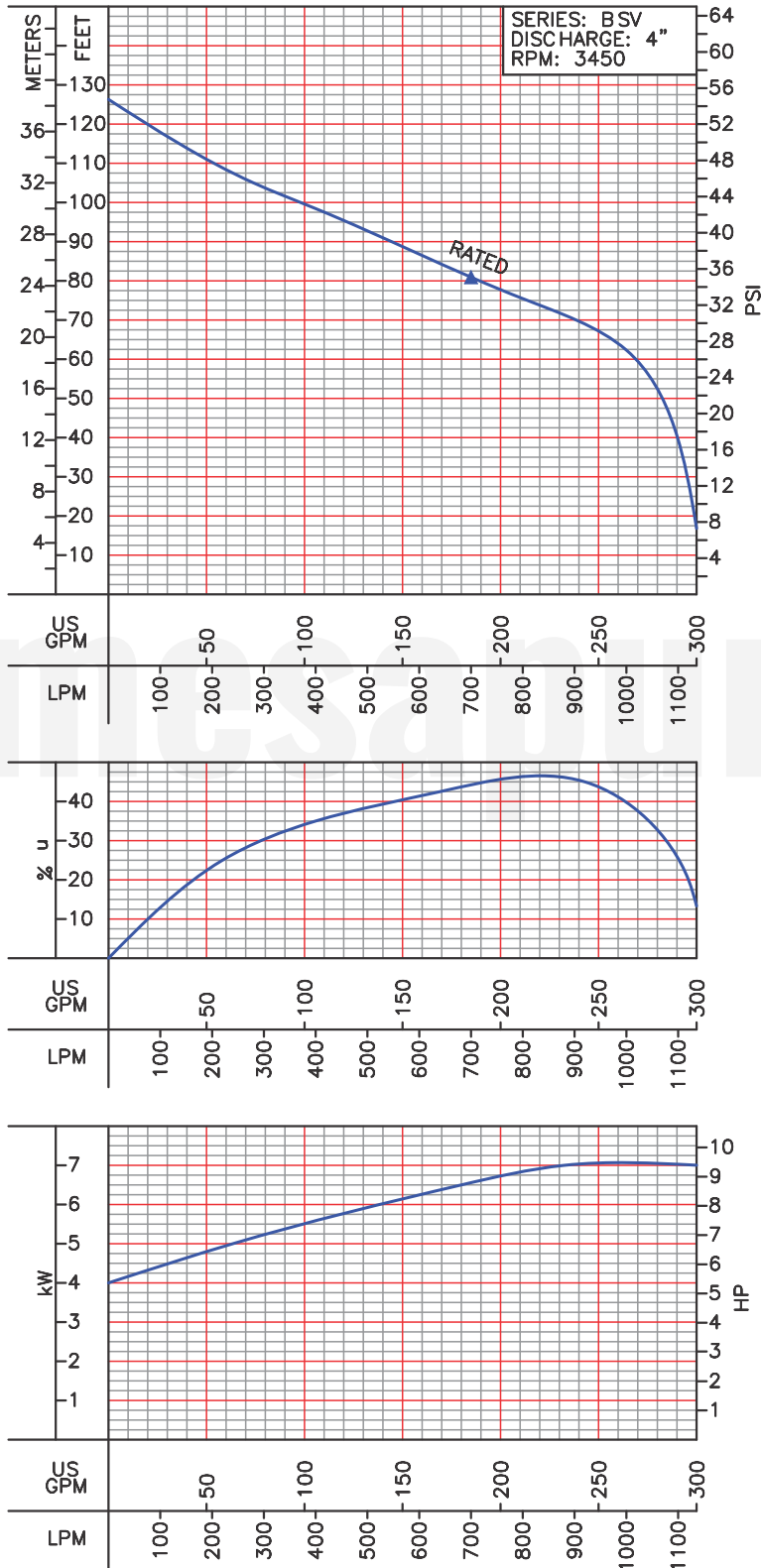
1. Never use this pump to handle explosive liquids.
2. This pump is not approved to be used in swimming pools, recreational installations or any application where human contact may be common.
3. Pump may be operated "dry" for extended periods without damage to motor and/or seals.



# PERFORMANCE CURVE

## Submersible Stainless Vortex Sewage Pump

### BSV series | 10 HP



Testing is performed with water specific gravity of 1.0 @ 68 °F (20 °C); other fluids may vary performance.