



FLOMAX 8 316 SS

2" X 2" 316 SS Self-Priming Centrifugal Pump

FLOMAX® 8, 316 SS self-priming centrifugal pumps are capable of creating vacuum sufficient to lift liquids from heights up to 25 feet above the source. Once primed, the pump's built in flapper valve will maintain a full column of liquid in the suction line.

A FLOMAX® 8, 316 SS PumPAK® is a fully assembled and run tested pump end that can be easily coupled to a number of drivers such as hydraulic motors, 56C and 145TC frame motors and gas engines. A bearing pedestal is also available for T-frame motor or belt drive.

Standard features include a 2" NPT 150# class flat flange on the suction of the pump, a Viton flapper, 2" SAE 4-bolt flat face discharge connection, stainless steel drive sleeve, stainless steel fasteners, renewable 316 SS wearplate, and a semi-open dynamically balanced 316 SS impeller. Options include a 5-blade high flow 316 stainless steel impeller and seals for all types of abrasive and/or corrosive services.

The FLOMAX® series of pumps are commonly used in Industrial, OEM, Agricultural and Marine applications, such as: Bilge Pumps, Auxiliary Fire Pumps, Ballast Transfer Pumps, Washdown Pumps, Fertilizer and Pesticide Pumps, Applicators & Sprayers, Blending Pumps, Nurse Tanks, Bulk Transfer Pumps and much more.



Application

- Agricultural
- Industrial
- Marine
- OEM

Features

- Renewable wear plate
- Up to 25' suction lift

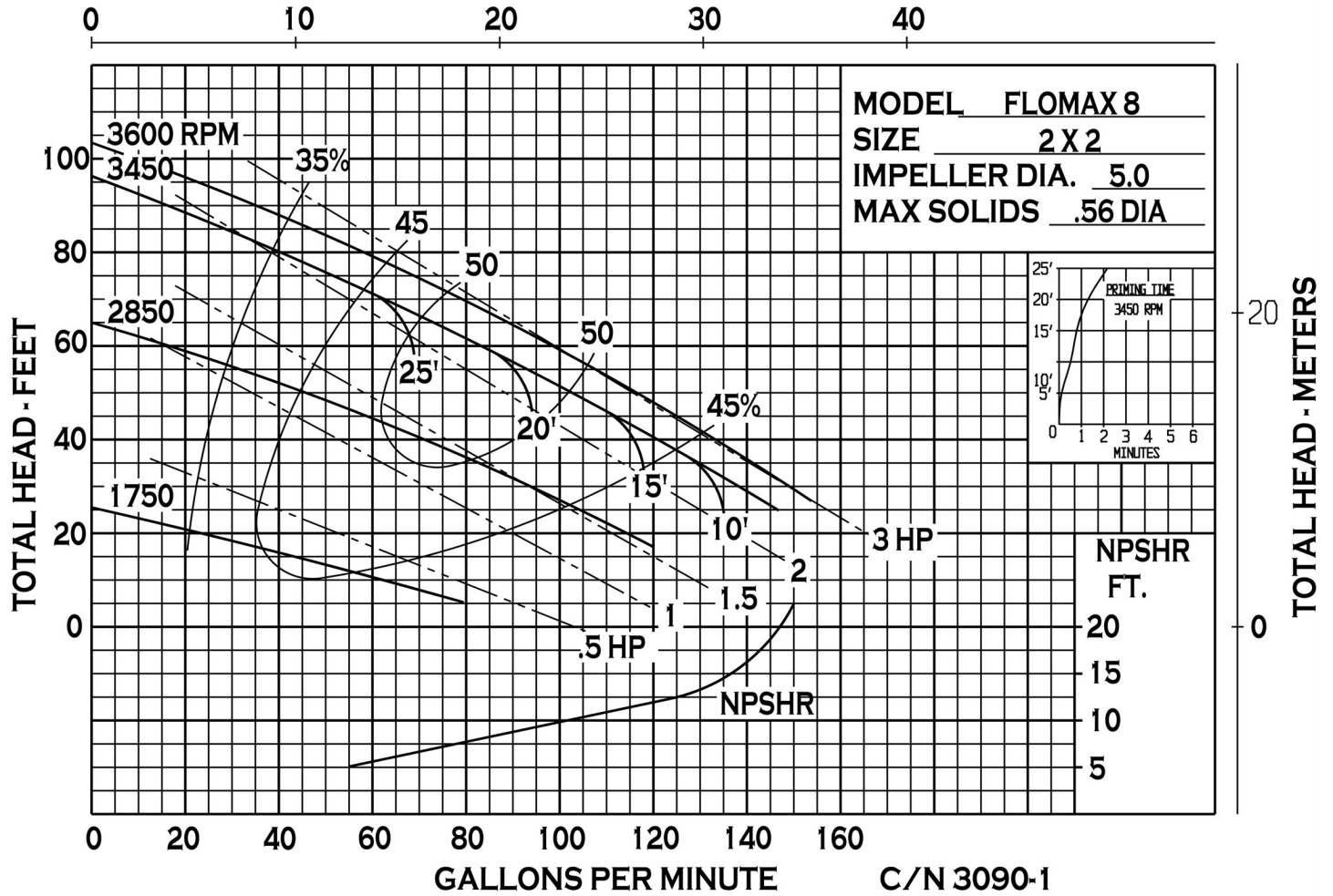
SPECIFICATIONS:

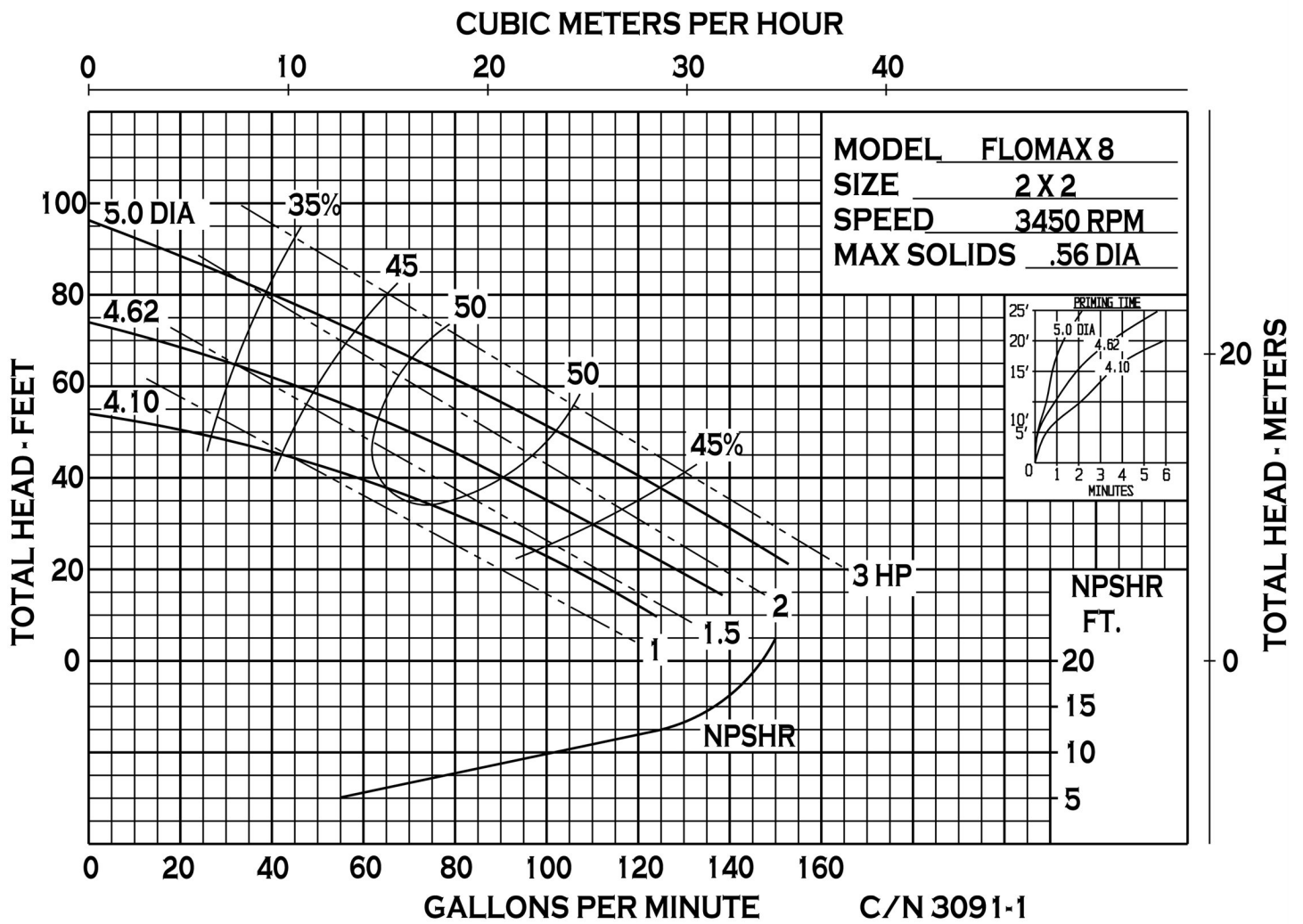
Materials Of Construction	316 stainless steel
Flow	Up to 150 GPM
Head Feet	UP to 100'
Impeller	5.0" max. diameter, semi-open
Motor	Up to 3HP
Drive Options	Close coupled to 145TC, Close Coupled to 56C, Engine mount to 5.5HP, Engine mount to 6.5HP, Pedestal, PumPAK® (without motor)
Seal	Carbon/Ceramic/Viton, Special seal material combinations available (consult factory)
Suction	2" NPT ANSI 150# class flat flange with Viton flapper
Discharge	2" ANSI 4-bolt flange connection, Optional 2" NPT ANSI 150# Flange Available. Part number for Optional ANSI Discharge Flange Kit: 36607

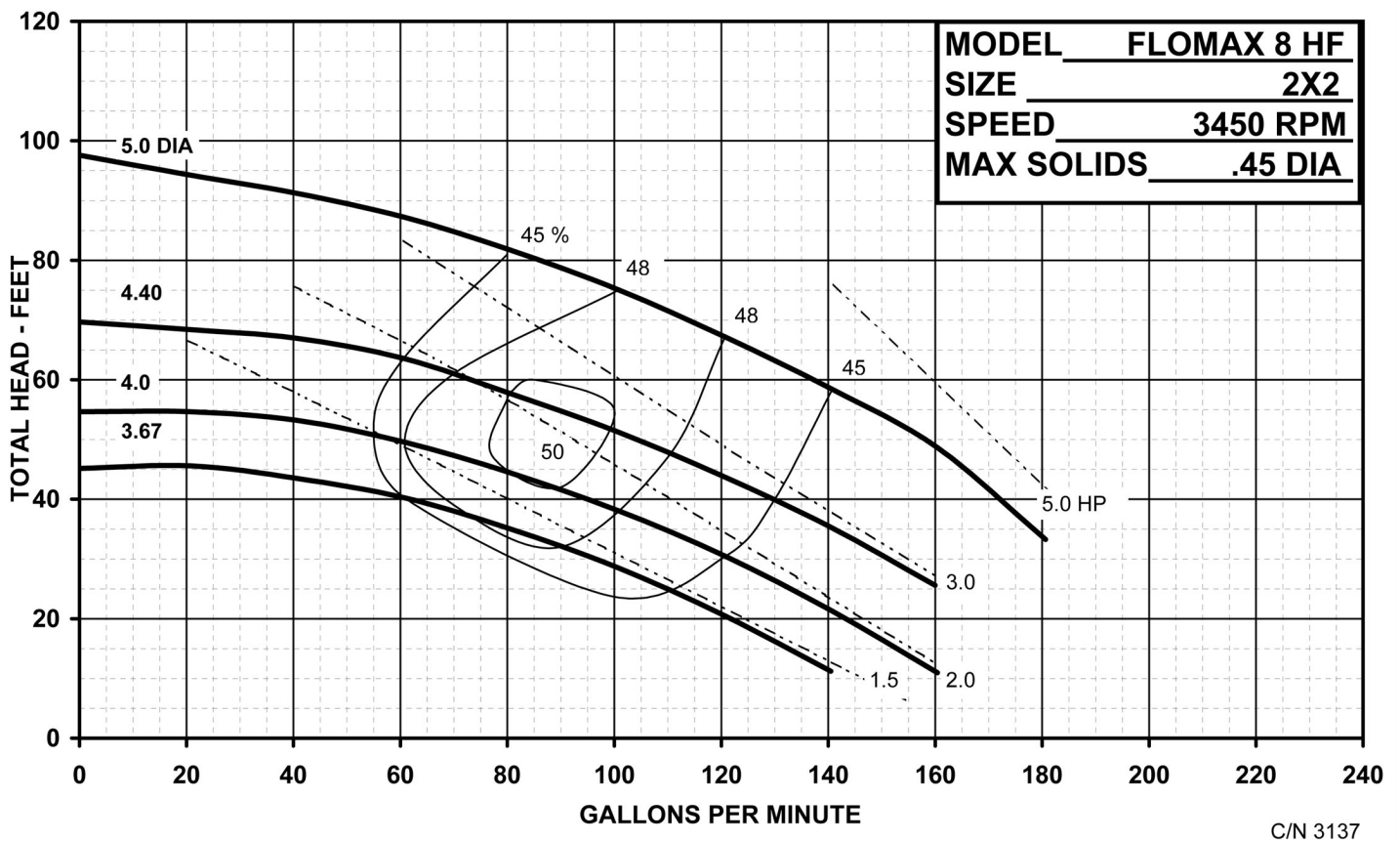
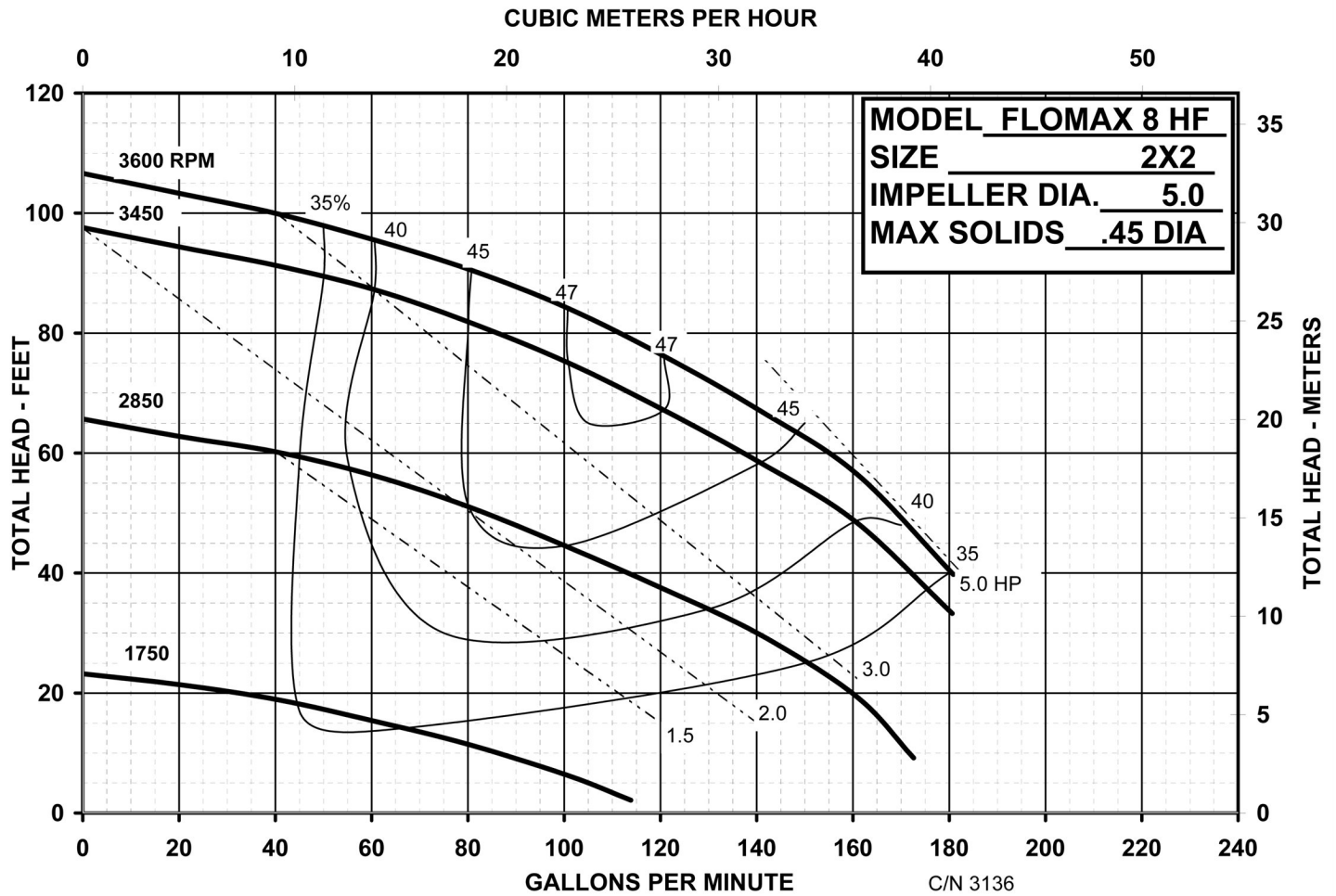
Options

5 blade impeller for higher flows, Available
2" NPT ANSI 150# class discharge flange
kit (p/n: 36607), Hydraulic motor .37 cu.
in., Hydraulic motor .45 cu. in., Hydraulic
motor .58 cu. in.

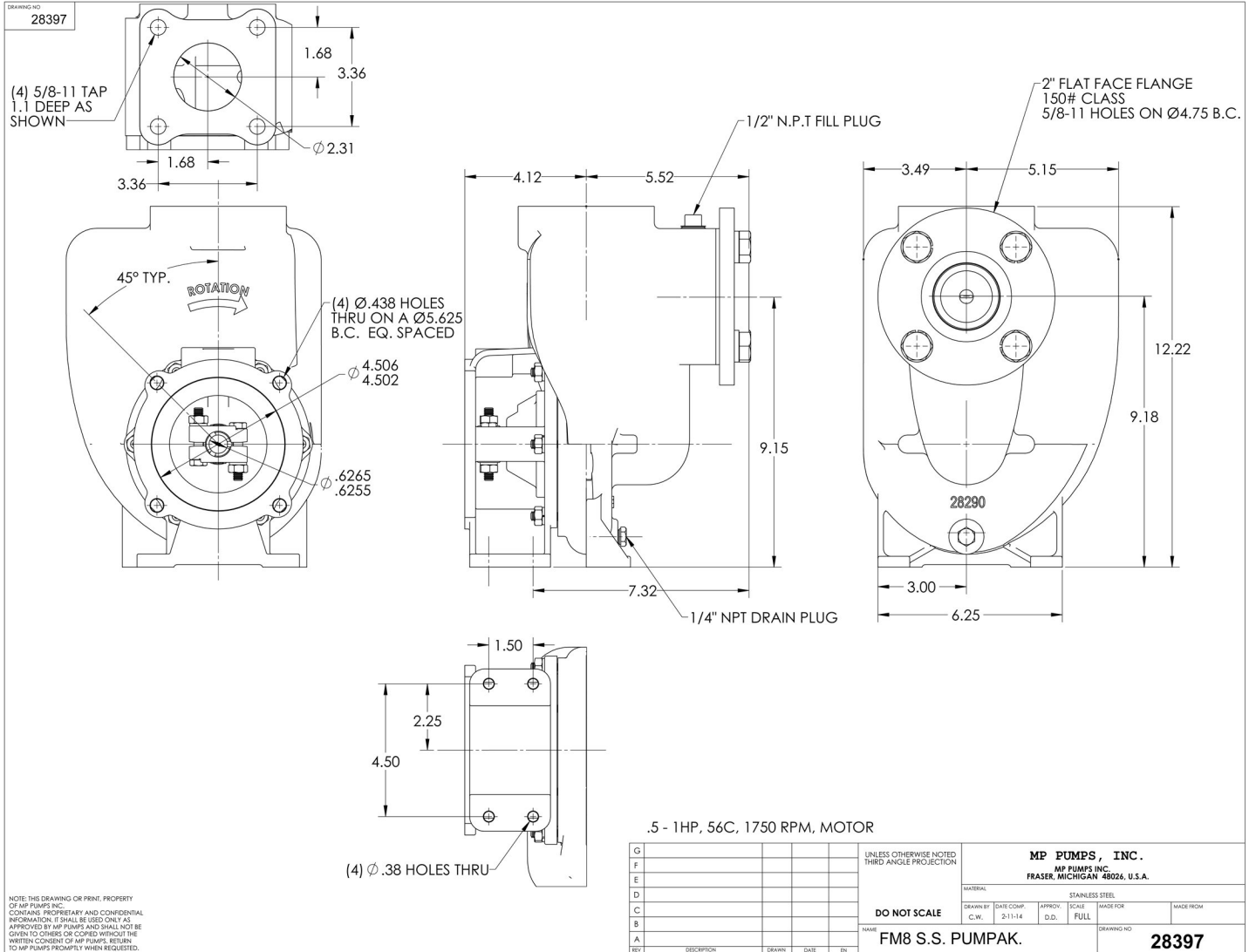
CUBIC METERS PER HOUR



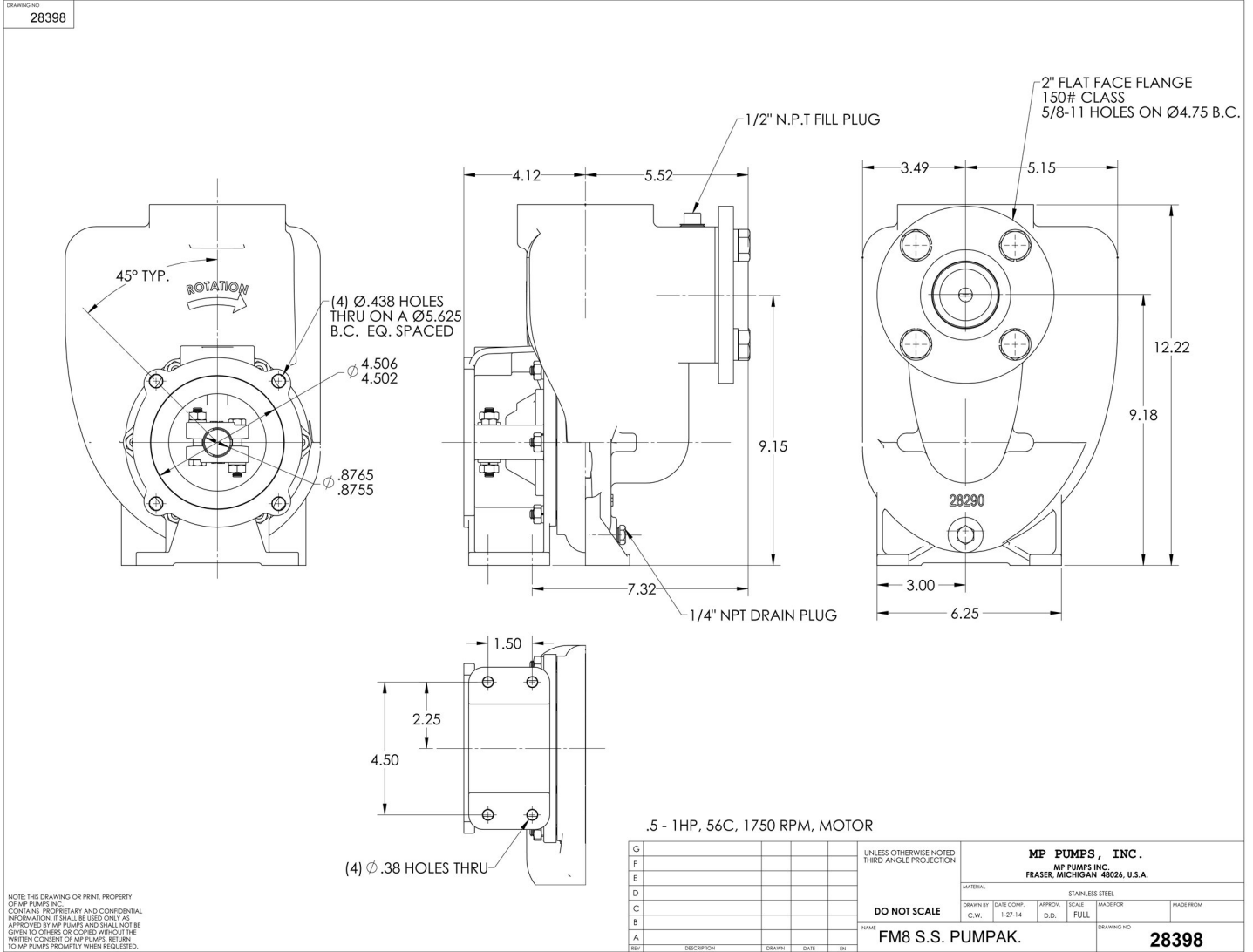


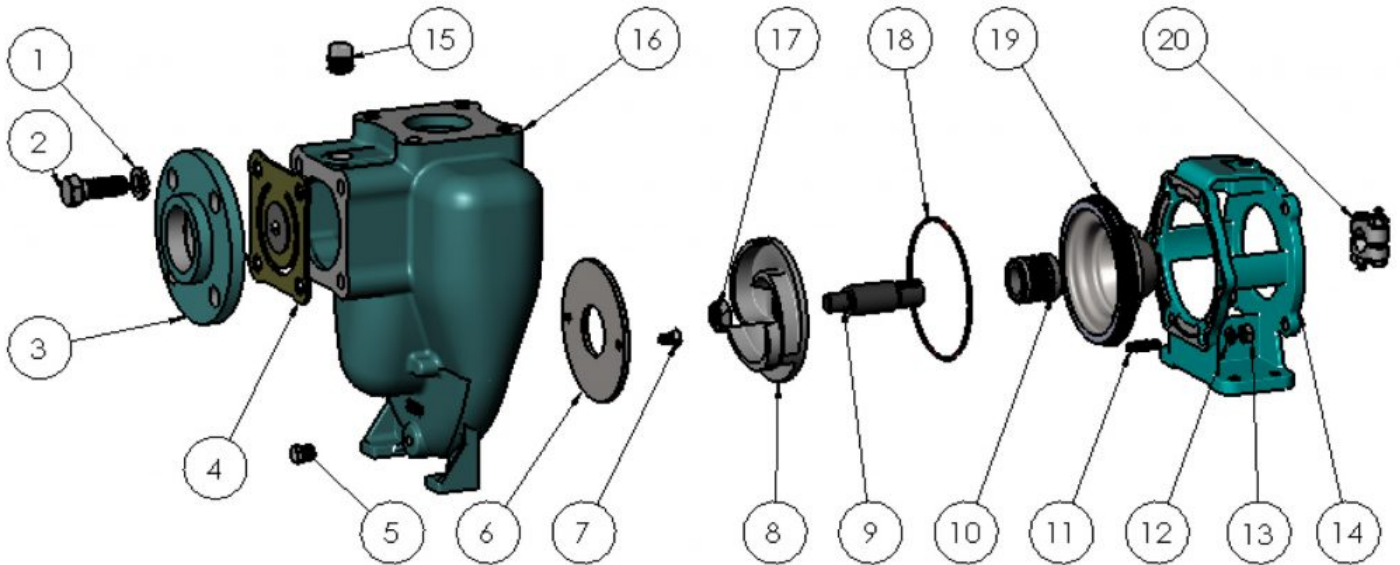


FLOMAX 8 316 SS



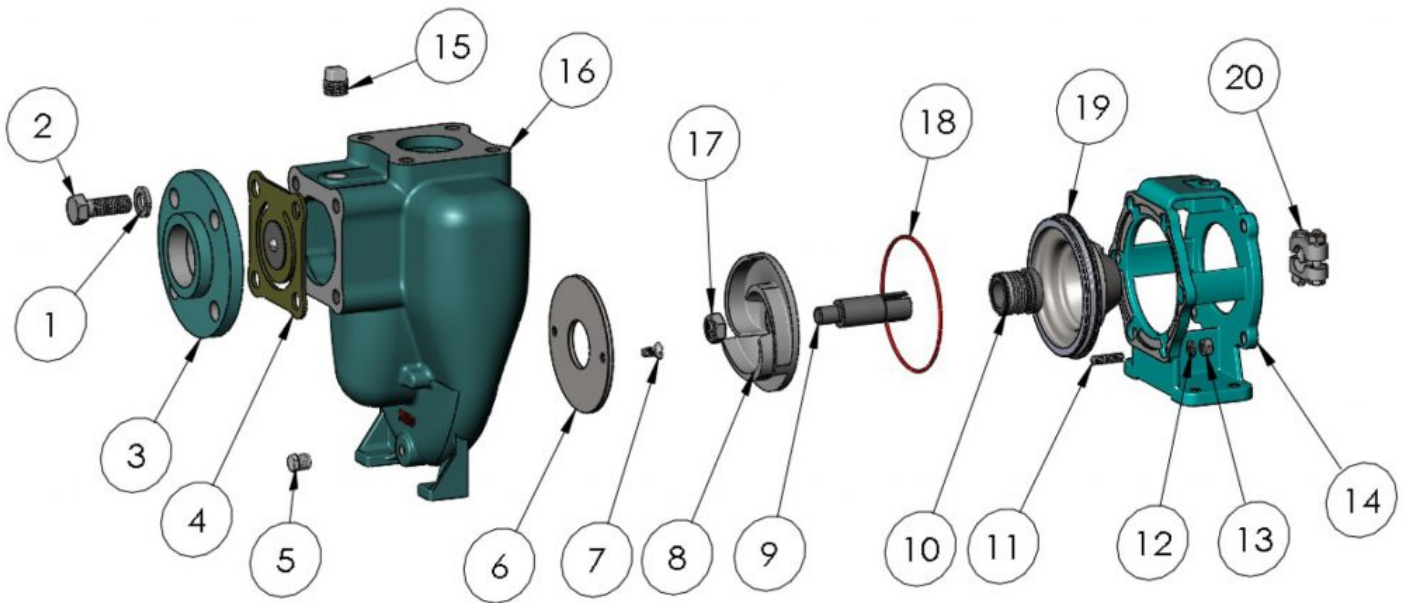
FLOMAX 8 316 SS





PART NO.	ITEM NO.	DESCRIPTION	QTY.	PART NO.	ITEM NO.	DESCRIPTION	QTY.
26853	1	LOCKWASHER S.S. - 5/8"	4	21284	13	HEXNUT - 5/16-18 - S.S.	8
36606	2	HEX HD. CAPSCREW S.S. - 5/8-11 X 1.75"	4	38704	14	ADAPTER A	1
36960	3	FLANGE S.S. - 2" NPT	1	22656	15	PIPE PLUG S.S. - 1/2" N.P.T.	1
* 37170	4	FLAPPER ASSY. - VITON	1	28276	16	HOUSING S.S.	1
21267	5	PIPE PLUG - 1/4" N.P.T. - S.S.	1	29194	17	HEX JAM NUT S.S. - 5/8-18	1
* 27978	6	WEAR PLATE - S.S.	1	34555	18	O-RING - VITON	1
28742	7	F.H. CAPSCREW 5/16-18 X 5/8" - S.S.	2	38708	19	SEAL ADAPTER S.S.	1
22294	8	IMPELLER - S.S. - Ø5.0	1	23002	20	CLAMP ASSEMBLY S.S.	1
22253	9	DRIVE SLEEVE - 5/8" - S.S.	1				
* 22272	10	SEAL ASSEMBLY - 1.00" ØT-2100	1		A		
28059	11	STUD - 5/16-18 x 1.19" - S.S.	6				
21238	12	LOCKWASHER - 5/16 - S.S.	8				

*- RECOMMENDED REPLACEMENT PARTS



PART NO.	ITEM NO.	DESCRIPTION	QTY.	PART NO.	ITEM NO.	DESCRIPTION	QTY.
26853	1	LOCKWASHER S.S. - 5/8"	4	21284	13	HEXNUT - 5/16-18 - S.S.	8
36606	2	HEX HD. CAPSCREW S.S. - 5/8-11 X 1.75"	4	38704	14	ADAPTER A	1
36960	3	FLANGE S.S. - 2" NPT	1	22656	15	PIPE PLUG S.S. - 1/2" N.P.T.	1
* 37170	4	FLAPPER ASSY. - VITON	1	28276	16	HOUSING S.S.	1
21267	5	PIPE PLUG - 1/4" N.P.T. - S.S.	1	29194	17	HEX JAM NUT S.S. - 5/8-18	1
* 27978	6	WEAR PLATE - S.S.	1	34555	18	O-RING - VITON	1
28742	7	F.H. CAPSCREW 5/16-18 X 5/8" - S.S.	2	38708	19	SEAL ADAPTER S.S.	1
22294	8	IMPELLER - S.S. - Ø5.0	1	23003	20	CLAMP ASSEMBLY S.S.	1
28933	9	DRIVE SLEEVE - 7/8" - S.S.	1				
* 22272	10	SEAL ASSEMBLY - 1.00" ØT-2100	1				
28059	11	STUD - 5/16-18 x 1.19" - S.S.	6				
21238	12	LOCKWASHER - 5/16 - S.S.	8				

*- RECOMMENDED REPLACEMENT PARTS