

# OPERATION AND PARTS MANUAL





## **MODEL QP3Ti TRASH PUMP (HONDA iGX270UT2QZMD GASOLINE ENGINE)**

Revision #0 (12/04/14)

To find the latest revision of this  
publication, visit our website at:  
[www.multiquip.com](http://www.multiquip.com)



**THIS MANUAL MUST ACCOMPANY THE EQUIPMENT AT ALL TIMES.**

 <b>WARNING</b> 
<b>CALIFORNIA — Proposition 65 Warning</b>
Gasoline engine exhaust and some of its constituents are known to the State of California to cause cancer, birth defects and other reproductive harm.



# TABLE OF CONTENTS

## QP3Ti Centrifugal Pump

Proposition 65 Warning .....	2
Parts Ordering Procedures.....	5
Safety Information .....	6-10
Specifications (Pump).....	11
Specifications (Engine).....	12
General Information.....	13
Pump Components.....	14-15
Basic Engine.....	16
Control Panel.....	17-18
Inspection (Engine).....	19
Setup .....	20
Operation.....	21-23
Maintenance (Pump) .....	24-25
Maintenance (Engine) .....	26-28
Storage.....	29
Troubleshooting (Engine).....	30-31
Troubleshooting (Pump) .....	32
Wiring Diagram — Control Panel.....	34
Wiring Locator — Control Panel .....	35
Explanation Of Code In Remarks Column.....	36
Suggested Spare Parts .....	37

## Component Drawings

Nameplate and Decals Assembly.....	38-39
Pump Assembly.....	40-43
Control Panel Assembly .....	44-45
Float Switches and Utility Box Assembly.....	46-47
Frame and Battery Assembly .....	48-49
Engine Service Parts.....	50-51
Terms And Conditions Of Sale — Parts .....	52

### NOTICE

Specifications and part numbers are subject to change without notice.



# PARTS ORDERING PROCEDURES

## Ordering parts has never been easier! Choose from three easy options:

Effective:  
January 1<sup>st</sup>, 2006

www.multiquip.com



### Order via Internet (Dealers Only):

Order parts on-line using Multiquip's SmartEquip website!

- View Parts Diagrams
- Order Parts
- Print Specification Information



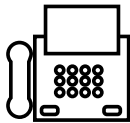
If you have an MQ Account, to obtain a Username and Password, E-mail us at: [parts@multiquip.com](mailto:parts@multiquip.com).

To obtain an MQ Account, contact your District Sales Manager for more information.

Goto [www.multiquip.com](http://www.multiquip.com) and click on **Order Parts** to log in and save!

Use the **internet** and qualify for a **5% Discount** on *Standard orders* for all orders which include complete part numbers.\*

Note: Discounts Are Subject To Change



### Order via Fax (Dealers Only):

All customers are welcome to order parts via Fax.

**Domestic (US) Customers dial:**  
1-800-6-PARTS-7 (800-672-7877)

**Fax** your order in and qualify for a **2% Discount** on *Standard orders* for all orders which include complete part numbers.\*

Note: Discounts Are Subject To Change



**Order via Phone: Domestic (US) Dealers Call:**  
1-800-427-1244

### Non-Dealer Customers:

Contact your local Multiquip Dealer for parts or call 800-427-1244 for help in locating a dealer near you.



**International Customers** should contact their local Multiquip Representatives for Parts Ordering information.

## When ordering parts, please supply:

- |   |  |
|---|--|
| <input type="checkbox"/> Dealer Account Number                                | <input type="checkbox"/> Specify Preferred Method of Shipment:                         |
| <input type="checkbox"/> Dealer Name and Address                              | <input checked="" type="checkbox"/> UPS/Fed Ex <input checked="" type="checkbox"/> DHL |
| <input type="checkbox"/> Shipping Address (if different than billing address) | <input type="checkbox"/> Priority One <input checked="" type="checkbox"/> Truck        |
| <input type="checkbox"/> Return Fax Number                                    | <input type="checkbox"/> Ground  |
| <input type="checkbox"/> Applicable Model Number                              | <input type="checkbox"/> Next Day  |
| <input type="checkbox"/> Quantity, Part Number and Description of Each Part   | <input type="checkbox"/> Second/Third Day  |

### NOTICE

All orders are treated as *Standard Orders* and will ship the same day if received prior to 3PM PST.

WE ACCEPT ALL MAJOR CREDIT CARDS!



# SAFETY INFORMATION

Do not operate or service the equipment before reading the entire manual. Safety precautions should be followed at all times when operating this equipment. Failure to read and understand the safety messages and operating instructions could result in injury to yourself and others.



## SAFETY MESSAGES

The four safety messages shown below will inform you about potential hazards that could injure you or others. The safety messages specifically address the level of exposure to the operator and are preceded by one of four words: **DANGER**, **WARNING**, **CAUTION** or **NOTICE**.

## SAFETY SYMBOLS

**! DANGER**

Indicates a hazardous situation which, if not avoided, **WILL** result in **DEATH** or **SERIOUS INJURY**.

**! WARNING**

Indicates a hazardous situation which, if not avoided, **COULD** result in **DEATH** or **SERIOUS INJURY**.







**! CAUTION**

Indicates a hazardous situation which, if not avoided, **COULD** result in **MINOR** or **MODERATE INJURY**.

**NOTICE**

Addresses practices not related to personal injury.

Potential hazards associated with the operation of this equipment will be referenced with hazard symbols which may appear throughout this manual in conjunction with safety messages.

Symbol	Safety Hazard
	Lethal exhaust gas hazards
	Explosion hazards
	Burn hazards
	Pressurized fluid hazards
	Battery acid hazards
	Eye safety hazards

# SAFETY INFORMATION

## GENERAL SAFETY

### CAUTION

- **NEVER** operate this equipment without proper protective clothing, shatterproof glasses, respiratory protection, hearing protection, steel-toed boots and other protective devices required by the job or city and state regulations.



- **NEVER** operate this equipment when not feeling well due to fatigue, illness or when under medication.



- **NEVER** operate this equipment under the influence of drugs or alcohol.



### NOTICE

- This equipment should only be operated by trained and qualified personnel 18 years of age and older.
- Whenever necessary, replace nameplate, operation and safety decals when they become difficult read.
- Manufacturer does not assume responsibility for any accident due to equipment modifications. Unauthorized equipment modification will void all warranties.
- **NEVER** use accessories or attachments that are not recommended by Multiquip for this equipment. Damage to the equipment and/or injury to user may result.
- **ALWAYS** know the location of the nearest **fire extinguisher**.
- **ALWAYS** know the location of the nearest **first aid kit**.
- **ALWAYS** know the location of the nearest phone or **keep a phone on the job site**. Also, know the phone numbers of the nearest **ambulance, doctor** and **fire department**. This information will be invaluable in the case of an emergency.



## PUMP SAFETY

### DANGER

- **NEVER** pump volatile, explosive, flammable or low flash point fluids. These fluids could ignite or explode.
- The engine fuel exhaust gases contain poisonous carbon monoxide. This gas is colorless and odorless, and can cause death if inhaled.
- The engine of this equipment requires an adequate free flow of cooling air. **NEVER** operate this equipment in any enclosed or narrow area where free flow of the air is restricted. If the air flow is restricted it will cause injury to people and property and serious damage to the equipment or engine.



- **NEVER** operate the equipment in an explosive atmosphere or near combustible materials. An explosion or fire could result causing severe **bodily harm or even death**.



### WARNING

- **NEVER** pump corrosive chemicals or water containing toxic substances. These fluids could create serious health and environmental hazards. Contact local authorities for assistance.
- **NEVER** open the priming plug when pump is hot. Hot water inside could be pressurized much like the radiator of an automobile. Allow pump to cool to the touch before loosening plug. The possibility exists of scalding, resulting in severe bodily harm.
- **NEVER** disconnect any **emergency or safety devices**. These devices are intended for operator safety. Disconnection of these devices can cause severe injury, bodily harm or even death. Disconnection of any of these devices will void all warranties.



# SAFETY INFORMATION

## CAUTION

- **NEVER** lubricate components or attempt service on a running machine.
- **NEVER** block or restrict flow from discharge hose. Remove kinks from discharge line before starting pump. Operation with a blocked discharge line can cause water inside pump to overheat.
- **DO NOT** touch control panel with wet hands.

## NOTICE

- **ALWAYS** fill the pump casing with water before starting the engine. Failure to maintain water inside the pump housing will cause severe damage to the pump and mechanical seal.
- In winter drain water from pump housing to prevent freezing.
- **NEVER** start the pump with the clean-out cover removed. The rotating impeller inside the pump can cut or sever objects caught in it. Before starting the pump, check that the clean-out cover is securely fastened.
- **ALWAYS** keep the machine in proper running condition.
- **ALWAYS** ensure pump is on level ground before use.
- **DO NOT** swing or whirl around float switches.
- **ALWAYS** retract handle before operation.
- Fix damage to machine and replace any broken parts immediately.
- **ALWAYS** store equipment properly when it is not being used. Equipment should be stored in a clean, dry location out of the reach of children and unauthorized personnel.

## ENGINE SAFETY

### WARNING

- **NEVER** operate the engine with heat shields or guards removed.
- **DO NOT** remove the engine oil drain plug while the engine is hot. Hot oil will gush out of the oil tank and severely scald any persons in the general area of the pump.



## CAUTION

- **NEVER** touch the hot exhaust manifold, muffler or cylinder. Allow these parts to cool before servicing equipment.



## NOTICE

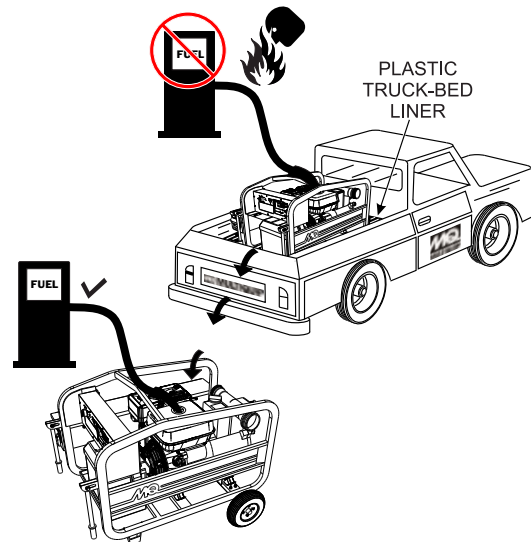
- **NEVER** run engine without an air filter or with a dirty air filter. Severe engine damage may occur. Service air filter frequently to prevent engine malfunction.
- **NEVER** tamper with the factory settings of the engine or engine governor. Damage to the engine or equipment can result if operating in speed ranges above the maximum allowable.



## FUEL SAFETY


### DANGER

- **DO NOT** add fuel to equipment if it is placed inside truck bed with plastic liner. Possibility exists of explosion or fire due to static electricity.




- **DO NOT** start the engine near spilled fuel or combustible fluids. Fuel is extremely flammable and its vapors can cause an explosion if ignited.
- **ALWAYS** refuel in a well-ventilated area, away from sparks and open flames.
- **ALWAYS** use extreme caution when working with flammable liquids.

# SAFETY INFORMATION



- **DO NOT** fill the fuel tank while the engine is running or hot.
- **DO NOT** overfill tank, since spilled fuel could ignite if it comes into contact with hot engine parts or sparks from the ignition system.
- Store fuel in appropriate containers, in well-ventilated areas and away from sparks and flames.
- **NEVER** use fuel as a cleaning agent.
- **DO NOT** smoke around or near the equipment. Fire or explosion could result from fuel vapors or if fuel is spilled on a hot engine. 

## BATTERY SAFETY (ELECTRIC START ONLY)

### DANGER

- **DO NOT** drop the battery. There is a possibility that the battery will explode.
- **DO NOT** expose the battery to open flames, sparks, cigarettes, etc. The battery contains combustible gases and liquids. If these gases and liquids come into contact with a flame or spark, an explosion could occur. 

### WARNING

- **ALWAYS** wear safety glasses when handling the battery to avoid eye irritation. The battery contains acids that can cause injury to the eyes and skin. 
- Use well-insulated gloves when picking up the battery.
- **ALWAYS** keep the battery charged. If the battery is not charged, combustible gas will build up.
- **DO NOT** charge battery if frozen. Battery can explode. When frozen, warm the battery to at least 61°F (16°C).
- **ALWAYS** recharge the battery in a well-ventilated environment to avoid the risk of a dangerous concentration of combustible gases.
- If the battery liquid (dilute sulfuric acid) comes into contact with **clothing or skin**, rinse skin or clothing immediately with plenty of water. 

- If the battery liquid (dilute sulfuric acid) comes into contact with **eyes**, rinse eyes immediately with plenty of water and contact the nearest doctor or hospital to seek medical attention.

### CAUTION

- **ALWAYS** disconnect the **NEGATIVE battery terminal** before performing service on the equipment.
- **ALWAYS** keep battery cables in good working condition. Repair or replace all worn cables.
- **ALWAYS** check and make sure that there is no water residue inside the battery box before each operation.

## TRANSPORTING SAFETY

### CAUTION

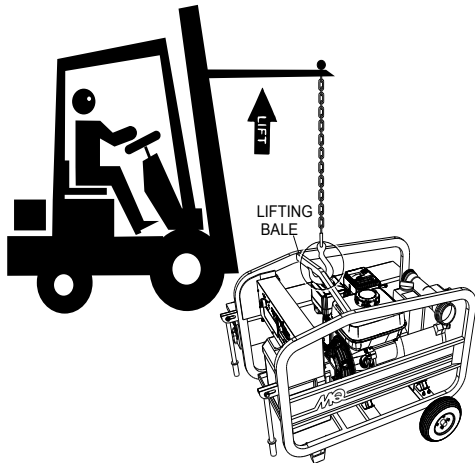
- **NEVER** allow any person or animal to stand underneath the equipment while lifting.
- **DO NOT** tow unit. The wheels are for manual transport only.

### NOTICE

- **DO NOT** drop the unit from a height as it may cause damage to the unit even if the wheels are puncture-proof.
- Before lifting, make sure that the equipment parts (hook and vibration insulator) are not damaged and screws are not loose or missing.
- Always make sure crane or lifting device has been properly secured to the lifting bail (hook) of the equipment.
- **ALWAYS** shutdown engine before transporting.
- **NEVER** lift the equipment while the engine is running.
- Tighten fuel tank cap securely and close fuel cock to prevent fuel from spilling.
- Use adequate lifting cable (wire or rope) of sufficient strength.

## SAFETY INFORMATION

- Use one point suspension hook and lift straight upwards.



- **DO NOT** lift machine to unnecessary heights.
- **ALWAYS** tie down equipment during transport by securing the equipment with rope.

### ENVIRONMENTAL SAFETY/DECOMMISSIONING

#### NOTICE

Decommissioning is a controlled process used to safely retire a piece of equipment that is no longer serviceable. If the equipment poses an unacceptable and unrepairable safety risk due to wear or damage or is no longer cost effective to maintain (beyond life-cycle reliability) and is to be decommissioned (demolition and dismantlement), be sure to follow rules below.

- **DO NOT** pour waste or oil directly onto the ground, down a drain or into any water source.
- Contact your country's Department of Public Works or recycling agency in your area and arrange for proper disposal of any electrical components, waste or oil associated with this equipment.



- When the life cycle of this equipment is over, remove battery and bring to appropriate facility for lead reclamation. Use safety precautions when handling batteries that contain sulfuric acid.

- When the life cycle of this equipment is over, it is recommended that the trowel frame and all other metal parts be sent to a recycling center.

Metal recycling involves the collection of metal from discarded products and its transformation into raw materials to use in manufacturing a new product.

Recyclers and manufacturers alike promote the process of recycling metal. Using a metal recycling center promotes energy cost savings.

### EMISSIONS INFORMATION

#### NOTICE

The gasoline engine used in this equipment has been designed to reduce harmful levels of carbon monoxide (CO), hydrocarbons (HC) and nitrogen oxides (NOx) contained in gasoline exhaust emissions.

This engine has been certified to meet US EPA Evaporative emissions requirements in the installed configuration.

Attempting to modify or make adjustments to the engine emission system by unauthorized personnel without proper training could damage the equipment or create an unsafe condition.

Additionally, modifying the fuel system may adversely affect evaporative emissions, resulting in fines or other penalties.

#### Emission Control Label

The emission control label is an integral part of the emission system and is strictly controlled by regulation(s).

The label must remain with the engine for its entire life.

If a replacement emission label is needed, please contact your authorized engine distributor.

# SPECIFICATIONS (PUMP)

Table 1. Specifications (Pump)		
Pump	Model	QP3Ti
	Type	Trash Pump
	Suction	3.0 in. (76 mm.)
	Discharge Size	3.0 in. (76 mm.)
	Maximum Pumping Capacity	396 gallons/minute (1,500 liters/minute)
	Max. Solids Diameter	1.50 in. (38 mm)
	Maximum Lift	25 ft. (7.6 m)
	Max. Head	95 ft. (29.0 m)
	Max. Pressure	41 psi (283 kPa)
Dry Net Weight		200 lbs. (91 Kg.)

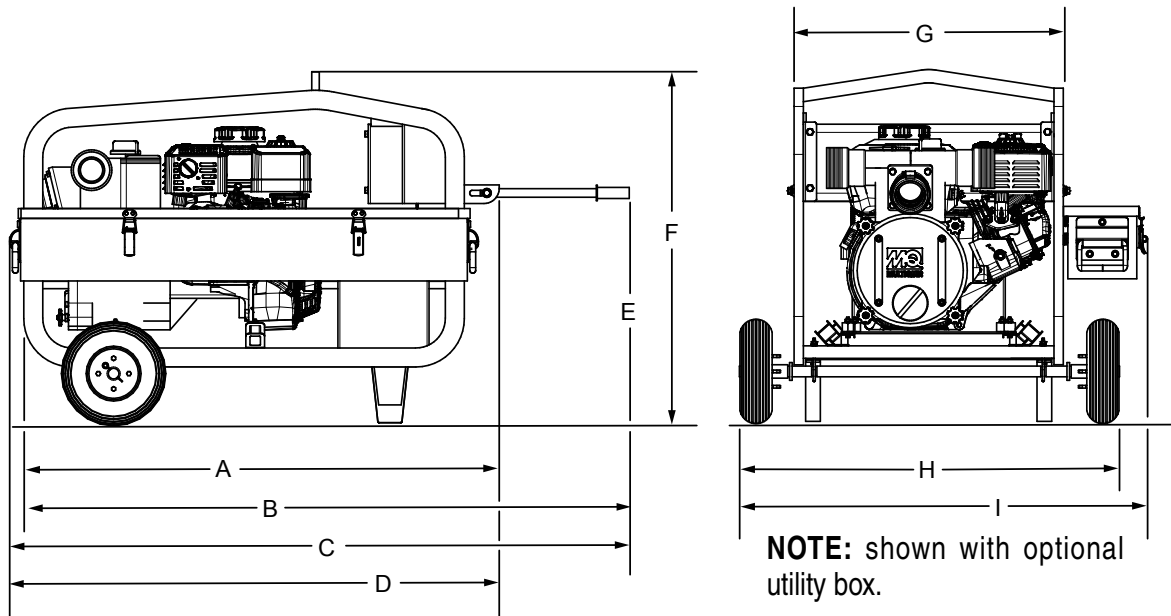


Figure 1. QP3Ti Dimensions

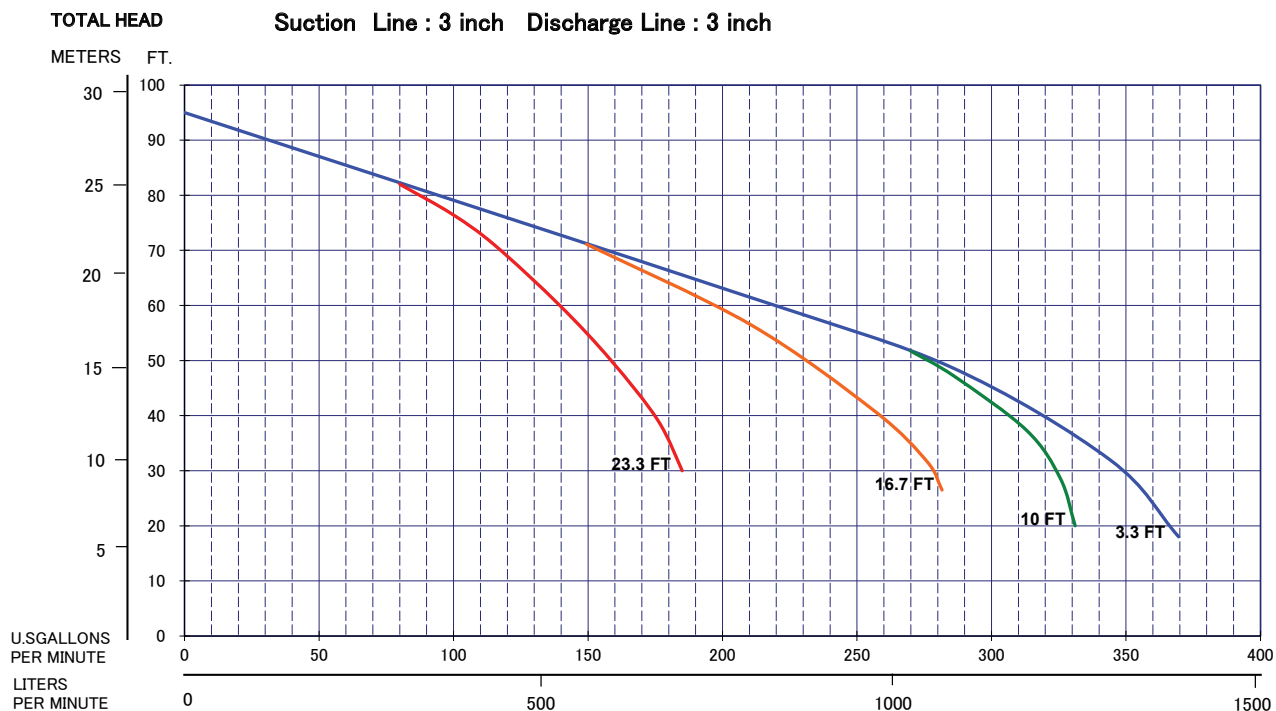
Table 2. Dimensions			
A	39.7 in. (1010 mm)	F	19.6 in. (500 mm)
B	51.1 in (1300 mm)	G	20.6 in. (525 mm)
C	51.6 in. (1312.7mm)	H	26.9 in. (685 mm)
D	40.2 in. (1022.7 mm)	I	28.8 in. (732 mm)
E	30.3 in. (770 mm)		



# SPECIFICATIONS (ENGINE)

Table 3. Specifications (Engines)		
<b>Engine</b>	<b>Model</b>	<b>HONDA GX270UT2QZMD</b>
	Type	Air-cooled 4 stroke, Single Cylinder, OHV, Horizontal Shaft Gasoline Engine
	Bore x Stroke	3.03 in. x 2.30 in. (77 mm x 58 mm)
	Displacement	270 cc (16.5 cu-in)
	Net Power (in accordance with SAE J1349)	8.6 H.P./3600 R.P.M.
	Fuel Tank Capacity	Approx. 1.4 U.S. Gallons (5.3 Liters)
	Fuel	Unleaded Automobile Gasoline
	Lube Oil Capacity	1.16 quarts (1.10 liters)
	Speed Control Method	STR Governor (self tuning regulator)
	Starting Method	Electric Starter (switch on control panel)
<b>Dimension (L x W x H)</b>		14.1 x 18.2 x 16.6 in. (358 x 462 x 422 mm)
<b>Dry Net Weight</b>		66.8 lbs (30.3 Kg.)

\* Engine power ratings are calculated by the individual engine manufacturer and the rating method may vary among engine manufacturers. Multiquip Inc. and its subsidiary companies makes no claim, representation or warranty as to the power rating of the engine on this equipment and disclaims any responsibility or liability of any kind whatsoever with respect to the accuracy of the engine power rating. Users are advised to consult the engine manufacturer's owners manual and its website for specific information regarding the engine power rating.



**Figure 2. QP3Ti Performance Curve**



# GENERAL INFORMATION

## APPLICATION

The Multiquip QP3Ti Trash Pump is designed to be used for dewatering applications. Both the suction and discharge ports on the QP3Ti trash pump use a 3-inch diameter opening, which allows the pump to pump at a rate of approximately 396 gallons/minute (gpm) or 1,500 liters/minute (lpm).

Trash pumps are designed to purge air from the suction line and create a partial vacuum in the pump body. The reduced atmospheric pressure inside the pump allows water to flow through the suction line and into the pump body. The centrifugal force created by the rotating impeller pressurizes the water and expels it from the pump.

## TRASH PUMP

Trash pumps derive their name from their ability to handle a greater amount of debris and solids than standard centrifugal pumps. These pumps generally handle solids up to 1/2 the size of the discharge opening making them less likely to clog. Also trash pumps are capable of handling water with 25% solids by weight.

The advantage of using a trash pump is that it can be quickly and easily disassembled in the field "without tools" and easily cleaned when clogged.

## POWER PLANT

This trash pump is powered by a 8.6 horsepower air cooled 4-stroke, single cylinder HONDA iGX270 gasoline engine that incorporates a low "Oil Alert Feature."

## OIL ALERT FEATURE

In the event of low oil or no oil, the HONDA iGX270 engine has a built-in oil alarm engine shut-down feature. In the event the oil level is low the engine will automatically shutdown.

## SUCTION LIFT

This pump is intended to be used for dewatering applications and is capable of suction lifts up to 25 feet at sea level. For optimal suction lift performance keep the suction hose or line as short as possible. In general always place the pump as close to the water as possible.

## PUMP SUPPORT

The pump should always be placed on solid stationary ground in a level position.

**NEVER** place the pump on *soft soil*. The suction hose or pipe connection should always be checked for tightness and leaks. A small suction leak in the hose or fittings could prevent the pump from priming.

## Elevation

Higher elevations will effect the performance of the pump. Due to less atmospheric pressure at higher altitudes, pumps **DO NOT** have the priming ability that they have at sea level. This is due to the "thinner air" or lack of oxygen at higher altitudes.

A general rule of thumb is that for every 1,000 feet of elevation above sea level a pump will lose one foot of priming ability.

For example, in Flagstaff, Arizona where the elevation is approximately 7,000 feet, the pump would have a suction lift of only 18 feet rather than the 25 feet at sea level. Table 4 shows suction lift at various elevations.

Altitude Feet (Meters)	Suction Lift in Feet (Meters)			
Sea Level	10.0 (3.048)	15.0 (4.572)	20.0 (6.096)	25.0 (7.620)
2,000 (610)	8.80 (2.680)	13.2 (4.023)	17.6 (5.364)	22.0 (6.705)
4,000 (1,219)	7.80 (2.377)	11.7 (3.566)	15.6 (4.754)	19.5 (5.943)
6,000 (1,829)	6.90 (2.103)	10.4 (3.169)	13.8 (4.206)	17.3 (5.273)
8,000 (2,438)	6.20 (1.889)	9.30 (2.834)	12.4 (3.779)	15.5 (4.724)
10,000 (3,048)	5.70 (1.737)	8.60 (2.621)	11.4 (3.474)	14.3 (4.358)

Table 5 shows percentage drops in performance as elevation increases.

Altitude Feet (Meters)	Discharge Flow	Discharge Head
Sea Level	100%	100%
2,000 (610)	97%	95%
4,000 (1,219)	95%	91%
6,000 (1,829)	93%	87%
8,000 (2,438)	91%	83%
10,000 (3,048)	88%	78%

# PUMP COMPONENTS

Figure 3 shows a typical application using the QP3Ti pump.

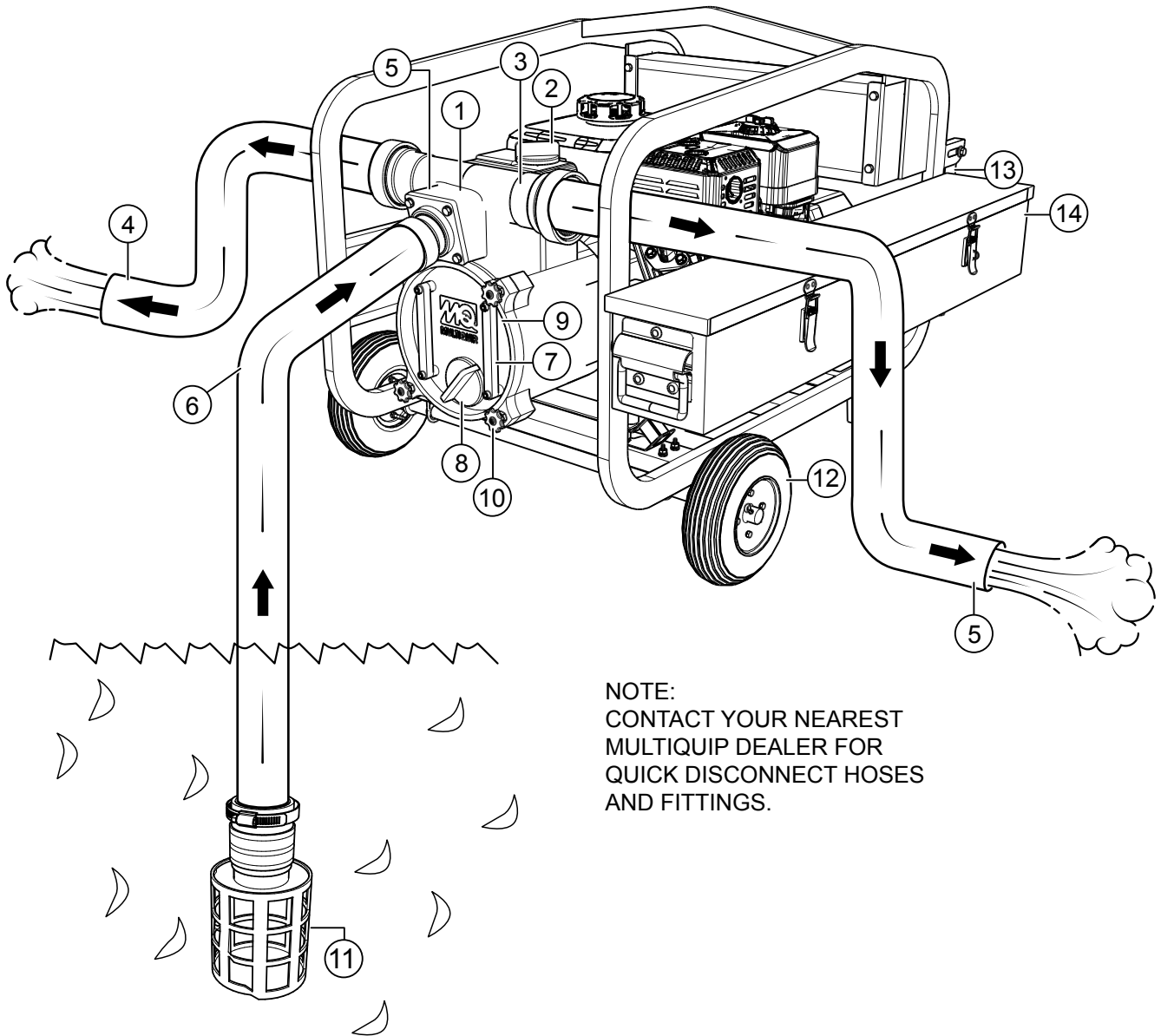


Figure 3. QP3Ti Pump Application

## PUMP COMPONENTS

---

1. **Pump** — The QP3Ti offers a revolutionary choice for a compact trash pumping system. It is the first gasoline-powered, compact, pipe-framed, centrifugal pump to provide unattended operations, automatic no prime shutdown, and easy manual dial water flow control. Supported by the industry recognized QPT3 pump end, this truly unique pump supports the watering/dewatering jobs associated with: excavations, flood waters, manholes, sewage bypass, barge cleaning, foundations, and water transfer.
2. **Fill Cap** — Prior to operation, the pump casing should be filled with water. Remove this cap to add water to the pump. After the initial prime, a sufficient amount of water will be retained in the casing so that the operator will not need to re-prime later.
3. **Discharge Port** — A right and left 3-inch NPT thread discharge manifold is provided.
4. **Discharge Hose** — Connect a flexible rubber hose to the discharge port on the pump. Make sure that the hose lays flat and is not kinked. Use only recommended type discharge hose. Contact Multiquip Sales Department for ordering information.
5. **Suction Port** — A 3-inch male NPT thread suction port is provided.
6. **Suction Hose** — Use only recommended 3-inch suction hose. Contact Multiquip Sales Department for ordering information.
7. **Clean-out Cover Handles** — To gain access to the pump's clean-out area, grip both handles, then pull to remove cover. Make sure all locking knobs have been released before attempting to remove clean-out cover.
8. **Drain Plug** — Remove this plug to drain water from the pump casing.
9. **Clean-out Cover** — Remove cover to gain access to the clean-out area.
10. **Locking Knobs** — Turn all knobs clockwise to secure clean-out cover, turn counterclockwise to release cover.
11. **Strainer** — Always attach a strainer to bottom side of the suction hose to prevent large objects and debris from entering the pump. Strainer should be positioned so that it will remain completely under water. Running the pump with the strainer above water for long periods can damage pump.
12. **Wheel Kit** — Urethane foam tires for easy transportation.
13. **Handle** — Used to lift and pull pump to a different location. Handle can be stowed during operation.
14. **Utility Box** — Used to store float switches and can also store tools necessary for pump use, setup, and maintenance (optional).

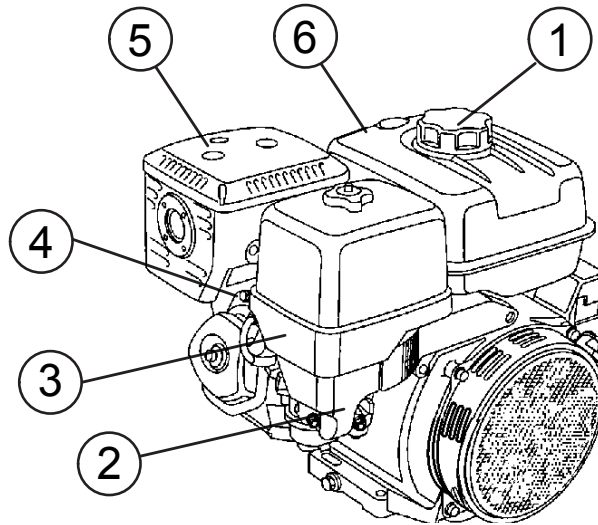


Figure 4. Engine Controls and Components

## INITIAL SERVICING

The engine (See Figure 4) must be checked for proper lubrication and filled with fuel prior to operation. Refer to the manufacturer's engine manual for instructions and details of operation and servicing. The engine shown above is a HONDA engine, operation for other types of engines may vary somewhat.

1. **Fuel Filler Cap** — Remove this cap to add unleaded gasoline to the fuel tank. Make sure cap is tightened securely. **DO NOT** over fill.

### DANGER



Adding fuel to the tank should be done only when the engine is stopped and has had an opportunity to cool down. In the event of a fuel spill, **DO NOT** attempt to start the engine until the fuel residue has been completely wiped up, and the area surrounding the engine is dry.

2. **Fuel Valve Lever** — **OPEN** to let fuel flow, **CLOSE** to stop the flow of fuel.

3. **Air Cleaner** — Prevents dirt and other debris from entering the fuel system. Remove wing-nut on top of air filter cannister to gain access to filter element.

### NOTICE

Operating the engine without an air filter, with a damaged air filter, or a filter in need of replacement will allow dirt to enter the engine, causing rapid engine wear.

4. **Spark Plug** — Provides spark to the ignition system. Set spark plug gap to 0.6 - 0.7 mm (0.028 - 0.031 inch). Clean spark plug once a week.
5. **Muffler** — Used to reduce noise and emissions.
6. **Fuel Tank** — Holds unleaded gasoline. For additional information refer to engine owner's manual.

### NOTICE

The iGX engine design does not require a choke lever.

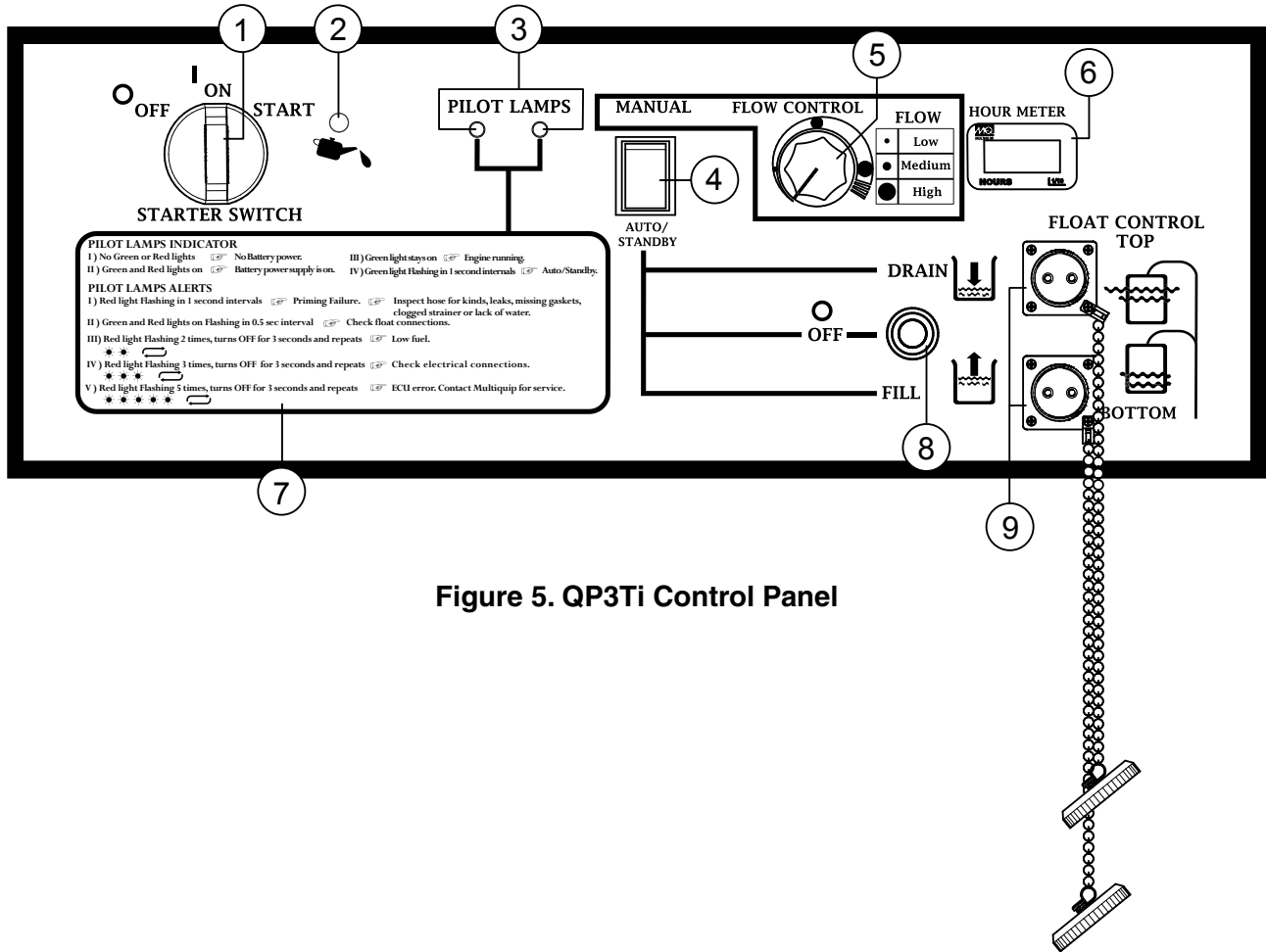


Figure 5. QP3Ti Control Panel

- 1. Starter Switch** — Used to engage the battery, start and turn off the engine.
- 2. Oil Alert** — Lights up where the oil is low or if there is no oil.
- 3. Pilot Lamp** — Indicates operating status. Refer to Table 6 for the different lamp indicators and corresponding status.
- 4. Auto/Manual Switch** — Used to select either Auto or Manual mode of operation.
- 5. Flow Control Switch** — Used to adjust flow volume (this switch only works in Manual mode).
- 6. Hourmeter** — Indicates total operating hours.
- 7. Pilot Lamp Decal** — Lists the different lamp indicators and alerts.
- 8. Drain/Fill Switch** — Used to select Auto Drain Operation or Auto Fill Operation.
- 9. Float Control Terminals** — Provide connection to top and bottom float switches.

# CONTROL PANEL

**Table 6. Pilot Lamps Indicators**

Light/Flash Pattern	Operation Status	Red and Green Lamps State
Green and Red Lamps OFF	No battery power (Starter Switch — OFF).	
Green and Red Lamps ON	Battery power supply is On and Standby Mode (Starter Switch — ON).	
Green Lamp ON Red Lamp OFF	Engine running Pump priming Manual Mode.	
Green Lamp FLASHING (in 1 sec intervals) Red Lamp OFF	Auto/Standby Mode.	
Red Lamp FLASHING (in 1 sec intervals) Green Lamp OFF	Priming Failure (No water for priming).	
Green and Red Lamps FLASHING in 0.5 sec intervals	Wrong float connection (such as upsidedown connection of top/bottom).	
Red Lamp FLASHING 2 times, OFF for 3 sec then repeats Green Lamp OFF	Abnormal Engine RPM (low fuel or starting failure).	
Red Lamp FLASHING 3 times, OFF for 3 sec then repeats Green Lamp OFF	Failure of electrical connections from engine to control box.	
Red Lamp FLASHING 5 times, OFF for 3 sec then repeats Green Lamp OFF	Circuit or ECU error in control box.	

# INSPECTION (ENGINE)

## CAUTION



DO NOT attempt to operate the pump until the Safety Information, General Information and Inspection sections of this manual have been read and thoroughly understood.

## BEFORE STARTING

1. Read safety instructions at the beginning of manual.
2. Clean the pump, removing dirt and dust, particularly the engine cooling air inlet, carburetor and air cleaner.
3. Check the air filter for dirt and dust. If air filter is dirty, replace air filter with a new one as required.
4. Check carburetor for external dirt and dust. Clean with dry compressed air.
5. Check fastening nuts and bolts for tightness.

## Engine Oil Check

1. To check the engine oil level, place the pump on secure level ground with the engine stopped.
2. Remove the filler dipstick from the engine oil filler hole (See Figure 6) and wipe clean.

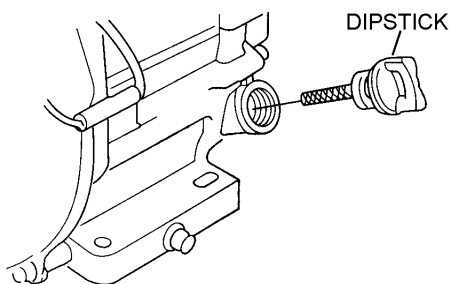


Figure 6. Engine Oil Dipstick (Removal)

3. Insert and remove the dipstick without screwing it into the filler neck. Check the oil level shown on the dipstick.
4. If the oil level is low (See Figure 7), fill to the edge of the oil filler hole with the recommended oil type (Table 7). Maximum oil capacity is 1.16 quarts (1.1 liters).

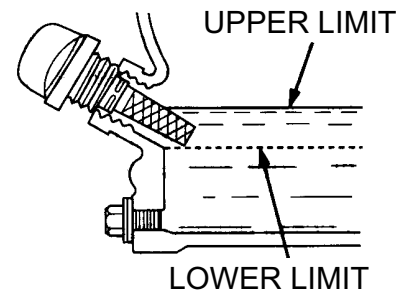


Figure 7. Engine Oil Dipstick (Oil Level)

Table 7. Oil Type

Season	Temperature	Oil Type
Summer	25°C or Higher	SAE 10W-30
Spring/Fall	25°C~10°C	SAE 10W-30/20
Winter	0°C or Lower	SAE 10W-10

## DANGER



Motor fuels are highly flammable and can be dangerous if mishandled. **DO NOT** smoke while refueling. **DO NOT** attempt to refuel the pump if the engine is **hot!** or running.

## Fuel Check

1. Remove the gasoline cap located on top of fuel tank.
2. Visually inspect to see if the fuel level is low. If fuel is low, replenish with unleaded fuel.
3. When refueling, be sure to use a strainer for filtration. **DO NOT** top-off fuel. Wipe up any spilled fuel **immediately!**

1. Place pump as near to water as possible, on a firm flat, level surface.
2. To prime pump, remove fill cap (See Figure 3) and fill pump casing with water. If the pump casing is not filled with water before starting, it will not begin pumping.
3. Attach suction and discharge hoses to the pump. Check that all hoses are **securely** attached to the pump. Make certain suction hose (See Figure 3) does not have any air leakage. Tighten hose clamps and couplings as required.
4. Remember suction hoses must be **rigid** enough not to collapse when the pump is in operation.
5. Check that the **discharge** hose (See Figure 3) is not restricted. Place hose so that it lays as straight as it is possible on the ground. Remove any twists or sharp bends from hose which may block the flow of water.

### NOTICE

Suction and discharge hoses are available from Multiquip. Contact your nearest dealer for more information.

6. The discharge hose is usually a **collapsible** (thin-walled) hose, however if a thin-walled discharge hose is not available, a rigid suction hose can be substituted in its place.
7. Make sure the **suction strainer** (See Figure 3) is clean and securely attached to the water end of the suction hose. The strainer is designed to protect the pump by preventing large objects from being pulled in to the pump.

### CAUTION

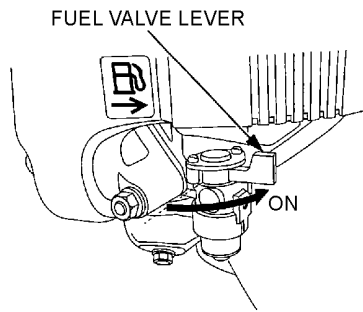
The strainer should be positioned so it will remain completely **under water**. Running the pump with the strainer above water for long periods can damage the pump.



## CAUTION

**DO NOT** attempt to start the engine unless the pump has previously been primed with water. Severe pump damage will occur if pump has not been primed.

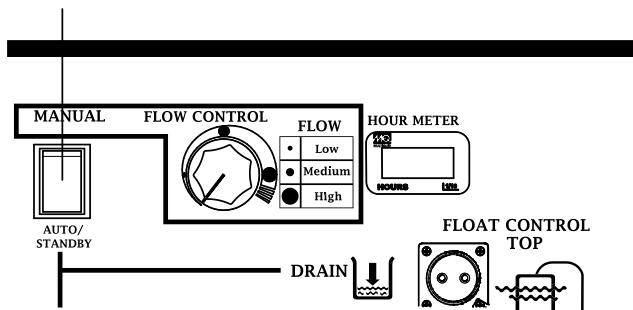
1. Place the engine fuel valve lever (See Figure 8) to the **ON** position.



**Figure 8. Engine Fuel Valve Lever (ON)**

2. Select the mode of operation that you require by setting the Auto/Manual switch to either **AUTO/STANDBY** or **MANUAL** mode (Figure 9).

## AUTO/MANUAL SWITCH



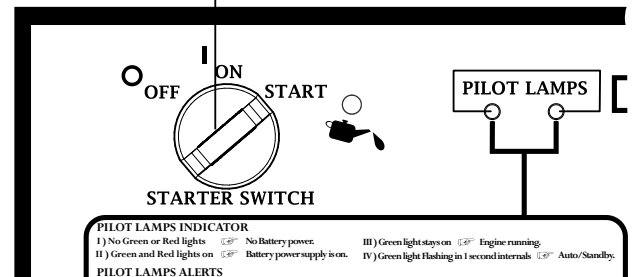
**Figure 9. Operation Mode Selection**

## MANUAL MODE

If manual mode is selected, the pump flow can be controlled.

1. Make sure that the engine fuel valve lever is in the **ON** position (Figure 8).
2. Turn the starter switch to the **START** position (Figure 10).

## STARTER SWITCH (START POSITION)



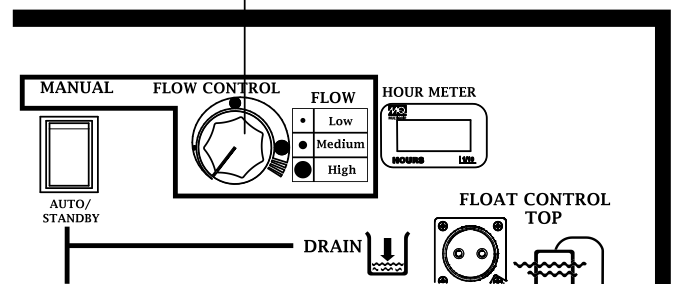
**Figure 10. Starter Switch (START)**

## NOTICE

Recoil Starter is not available. Engine can only be started with the Starter Switch on the control panel.

3. After the engine has started, turn the flow control switch to the desired flow volume (Figure 11).

## FLOW CONTROL SWITCH



**Figure 11. Flow Control Switch**

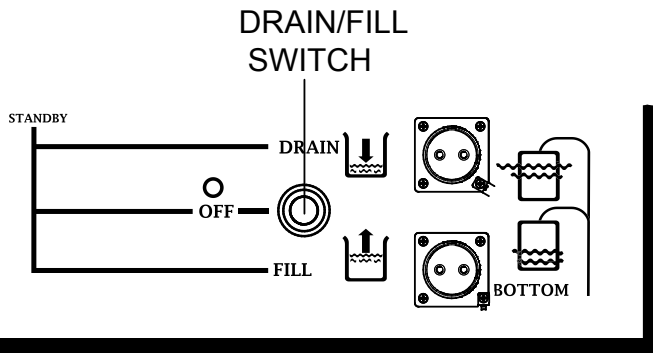
# OPERATION

## AUTO/STANDBY MODE

In the automatic mode:

- Engine senses and adjusts RPMs automatically to match the application's load and speed requirements.
- Engine keeps running at higher RPM right after start which makes speedy pump priming. It then goes back automatically to normal RPM, in 15 seconds after start for smooth flow discharging.
- Engine turns off automatically one minute after water is fully pumped, even if unattended, which prevents No-Load running and useless fuel consumption.

1. Turn the DRAIN/FILL switch to the **OFF** position (Figure 12).



**Figure 12. DRAIN/FILL Switch**

2. Make sure that the engine fuel valve lever is in the **ON** position (Figure 8).
3. Turn the starter switch to the **START** position (Figure 10).
4. Engine will run at the most suitable RPM as it senses the job-load.

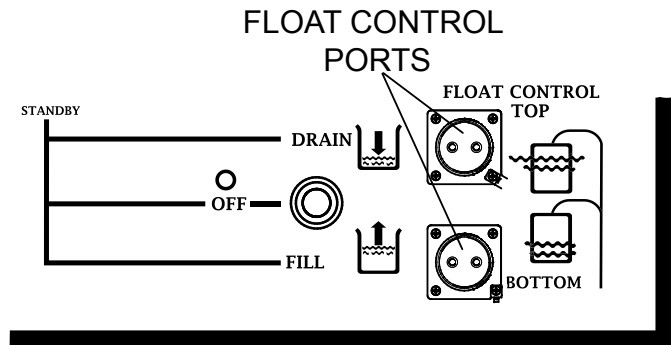
### NOTICE

If automatic mode is selected, the pump flow cannot be controlled by the flow control switch.

## AUTO/DRAIN OPERATION

Pump starts draining water automatically at the set high level, utilizing float switches, then turns off at the set low level. When the water reaches the set high level again, pump starts draining again.

1. Prepare and connect suction hose and discharge hose to the suction port/discharge port of pump (Figure 3). Make sure suction hose is placed deep into the water source and discharge hose is not kinked and lays flat.
2. Connect the terminal plugs of float switches to the float control ports on the control panel (Figure 13)

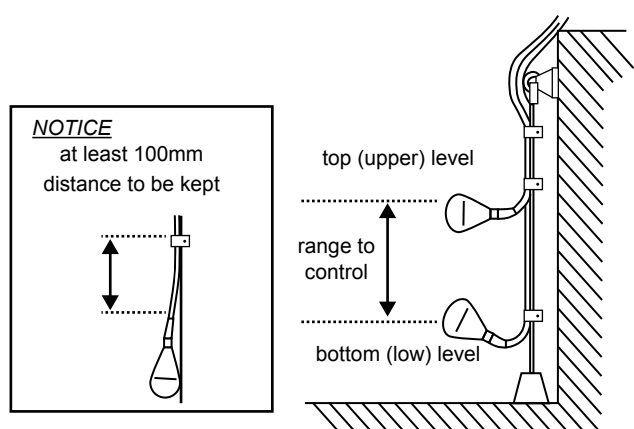


**Figure 13. Float Control Ports**

### NOTICE

Note that there are two ports for the float control connection. One is for the high level (**TOP**) and the other for low level (**BOTTOM**).

3. Set the top (drain) and bottom (stop) water levels you expect to control with the float switches (Figure 14).



**Figure 14. Float Switches**

# OPERATION

- Turn the AUTO/MANUAL switch on control panel to the **AUTO/STANDBY** position (Figure 9).
- Turn the DRAIN/FILL switch to the **DRAIN** position (Figure 12).
- Turn the starter switch to the **START** position (Figure 10).
- The engine starts and pump starts draining the water. Green pilot lamp starts flashing in 1 second intervals.
- Turn the AUTO/MANUAL switch on control panel to the **AUTO/STANDBY** position (Figure 9).
- Turn the DRAIN/FILL switch to the **FILL** position (Figure 12).
- Turn the starter switch to the **START** position (Figure 10).
- The engine starts and pump starts filling water. Green pilot lamp starts flashing in 1 second intervals.

## AUTO/FILL OPERATION

Pump starts filling with water automatically at the set low level, utilizing float switches, then turns off at the set high level. When the water reaches the set low level again, pump starts filling again.

- Prepare and connect suction hose and discharge hose to the suction port/discharge port of pump (Figure 3). Make sure suction hose is placed deep into the water source and discharge hose is not kinked and lays flat.
- Connect the terminal plugs of float switches to the float control ports on the control panel.

### NOTICE

Note that there are two ports for the float control connection. One is for the high level (**TOP**) and the other for low level (**BOTTOM**).

- Set the top (drain) and bottom (stop) water levels you expect to control with the float switches (Figure 14).

## STOPPING THE ENGINE

- Turn the starter switch to the **OFF** position (Figure 15).

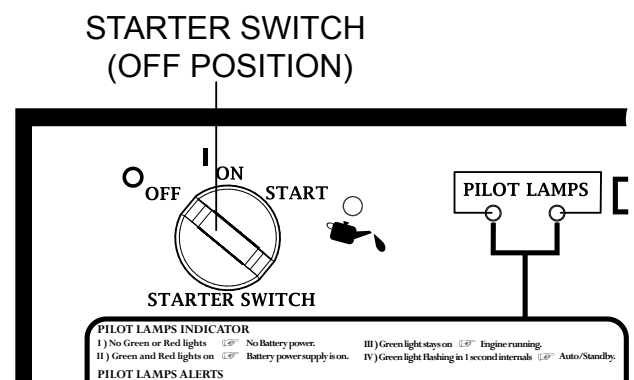


Figure 15. Starter Switch (OFF)

# MAINTENANCE (PUMP)

## PUMP VACUUM TEST

### CAUTION

**DO NOT** attempt to start the engine unless the pump has previously been **primed** with water. Severe pump damage will occur if pump has not been primed.

To perform the pump vacuum test do the following:

1. Remove the pump fill cap (See Figure 3), and fill the pump with water.
2. Start the engine as outlined in the initial start-up section, and wait for the pump to begin pumping.
3. As shown in Figure 16, place a water hose inside the discharge opening of the pump, and turn on the water. This flow of water into the discharge opening will **prevent** the pump from running dry.
4. Place the Pump Vacuum Tester (P/N 7000030) over the pump suction (inlet) opening (See Figure 16) with the vacuum gauge facing upwards. It may be necessary to apply a small amount of water around the rubber seal of the vacuum tester to make a good suction fit.
5. Check and make sure that there are no air leaks between the vacuum tester and the inlet port on the pump. If air leaks are present reseal vacuum tester.
6. Run the pump for a few minutes while monitoring the vacuum gauge. If the gauge indicates a reading between -25 and -20 in. Hg. (inches of mercury) then it can be assumed that the pump is working correctly.

### NOTICE

25 in. Hg (inches of mercury) translates into 25 feet of lift at **sea level**.

7. If the vacuum tester gauge indicates a reading below -20 in. Hg, it can then be assumed that the pump is not functioning correctly, and corrective action needs to be taken.
8. To test the flapper valve, shutdown the engine. The vacuum tester should remain attached to the pump suction inlet port by vacuum. This indicates the pump's flapper valve is seating properly to hold water in the suction hose when the engine is stopped. This prevents backflow and allows for faster priming when the engine is restarted.

## ADJUSTING IMPELLER CLEARANCE

1. If it is necessary to replace impeller or volute, be sure clearance between impeller and volute is adjusted
2. The impeller should be as close to the volute as possible without rubbing against it. Clearance is adjusted by adding or removing shims from behind the impeller.
3. Check clearance between impeller and insert by slowly pulling starter rope to turn impeller.

### NOTICE

It is important not to remove too many shims or the clearance between the impeller and volute will become **too wide** and pump performance will be reduced. Remember as the impeller wear down, additional shims may be required to maintain the clearance between the impeller and insert.

4. Check the impeller every six months for wear, and for clearance between the impeller face and the volute. Also check the shaft seal for wear, as well as the shaft sleeve.

## PUMP CLEANING

After pumping water containing large amounts of dirt and debris, perform the following:

1. Remove the drain plug from the pump housing (Figure 3) and drain any water left in the pump.
2. Loosen the two locking hand knobs (turn counterclockwise) and remove clean-out cover.
3. Clean and remove dirt, debris from pump casing. Inspect impeller and volute for wear. Replace any damaged or worn parts.

### CAUTION

The impeller may develop sharp edges. Use extreme care when cleaning around the impeller to prevent being cut..

## CAUTION

DO NOT RUN PUMP WITHOUT WATER.

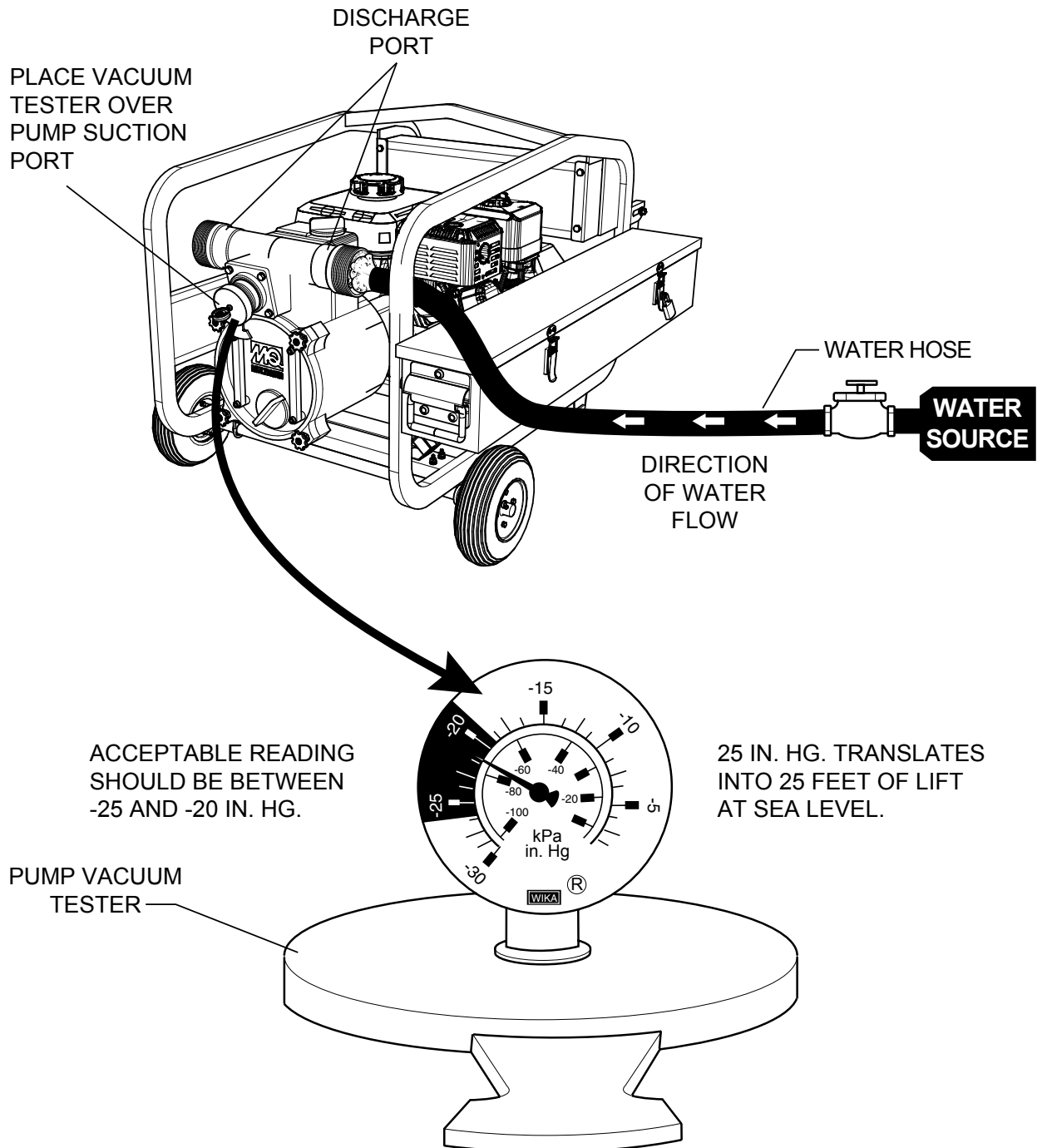


Figure 16. Pump Vacuum Tester

# MAINTENANCE (ENGINE)

## ENGINE MAINTENANCE

Perform engine maintenance procedures as referenced by Table 8 below:

Table 8. Engine Maintenance Schedule							
Description (3)	Operation	Before	First Month or 10 hrs	Every 3 Months or 25 hrs	Every 6 Months or 50 hrs	Every Year or 100 hrs	Every 2 Years or 200 hrs
Engine Oil	CHECK	X					
	CHANGE		X				
Air Cleaner	CHECK	X					
	CHANGE			X (1)			
All Nuts and Bolts	Re-tighten If Necessary	X					
Spark Plug	CHECK-CLEAN				X		
	REPLACE						X
Cooling Fins	CHECK				X		
Spark Arrester	CLEAN					X	
Fuel Tank	CLEAN					X	
Fuel Filter	CHECK					X	
Idle Speed	CHECK-ADJUST					X (2)	
Valve Clearance	CHECK-ADJUST						X (2)
Fuel lines	CHECK	Every 2 years (replace if necessary) (2)					

1. Service more frequently when used in **DUSTY** areas.
2. These items should be serviced by your service dealer, unless you have the proper tools and are mechanically proficient. Refer to the HONDA shop Manual for service procedures.
3. For commercial use, log hours of operation to determine proper maintenance intervals.

### NOTICE

Refer to manufacturer engine manual for specific servicing instructions.

# MAINTENANCE (ENGINE)

## DAILY

1. Thoroughly remove dirt and oil from the engine and control area. Clean or replace the air cleaner elements as necessary. Check and retighten all fasteners as necessary. Check the spring box and bellows for oil leaks. Repair or replace as needed.

## WEEKLY

1. Remove the fuel filter cap and clean the inside of the fuel tank.
2. Remove or clean the filter at the bottom of the tank.
3. Remove and clean the spark plug (See Figure 17), then adjust the spark gap to 0.028~0.031 inch (0.6~0.7 mm). This unit has electronic ignition, which requires no adjustments.

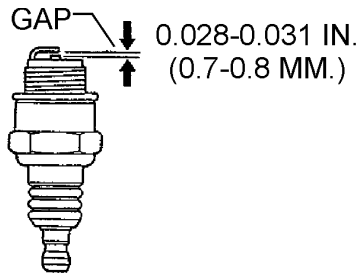


Figure 17. Spark Plug Gap

## ENGINE OIL

1. Drain the engine oil when the oil is **warm** as shown in Figure 18.
2. Remove the oil drain bolt and sealing washer and allow the oil to drain into a suitable container.
3. Replace engine oil with recommended type oil as listed in Table 5. Engine oil capacity is 1.16 quarts (1.1 liters). **DO NOT** over fill.
4. Install drain bolt with sealing washer and tighten securely.

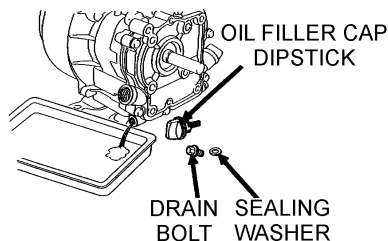


Figure 18. Engine Oil (Draining)

## DANGER



**DO NOT** use gasoline as a cleaning solvent, because that would create a risk of fire or explosion.

## ENGINE AIR CLEANER

1. Remove the air cleaner cover and foam filter element as shown in Figure 19.
2. Tap the paper filter element (See Figure 19) several times on a hard surface to remove dirt, or blow compressed air [not exceeding 30 psi (207 kPa, 2.1 kgf/cm<sup>2</sup>)] through the filter element from the air cleaner case side. **NEVER** brush off dirt. Brushing will force dirt into the fibers. Replace the paper filter element if it is excessively dirty.
3. Clean foam element in warm, soapy water or non-flammable solvent. Rinse and dry thoroughly. Dip the element in clean engine oil and completely squeeze out the excess oil from the element before installing.

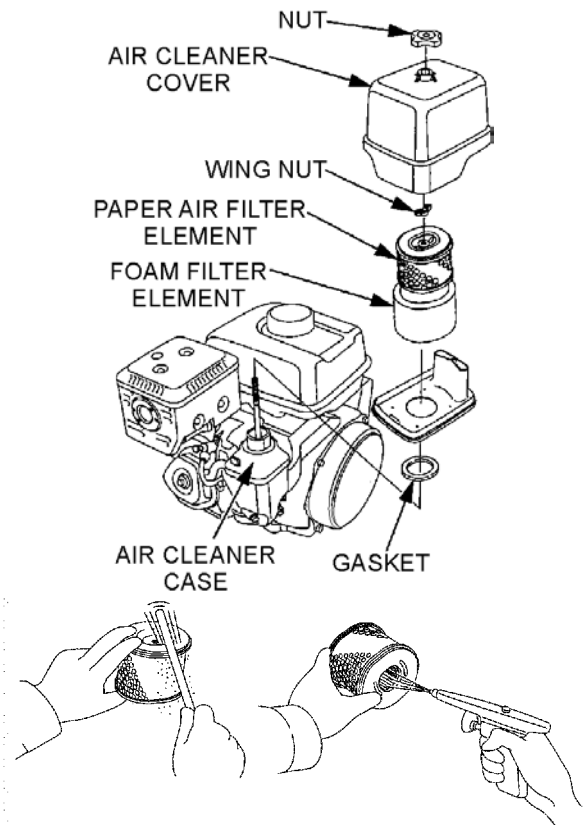


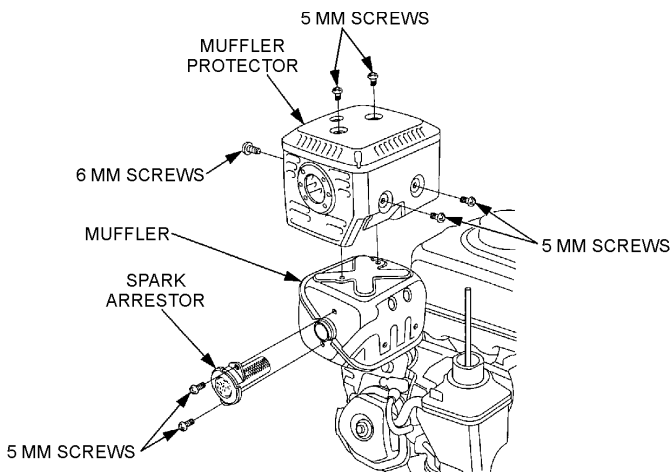
Figure 19. Engine Air Cleaner

## MAINTENANCE (ENGINE)

### SPARK ARRESTER CLEANING

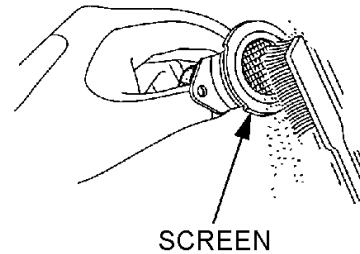
Clean the spark arrester every 6 months or 100 hours.

1. Remove the 4 mm screw (3) from the exhaust deflector, then remove the deflector. See Figure 20.
2. Remove the 5 mm screw (4) from the muffler protector, then remove the muffler protector.
3. Remove the 4 mm screw from the spark arrester, then remove the spark arrester



**Figure 20. Spark Arrester Removal**

4. Carefully remove carbon deposits from the spark arrester screen (Figure 21) with a wire brush.



**Figure 21. Cleaning The Spark Arrester**

5. If the spark arrester is damaged and has breaks or holes, replace with a new one.
6. Reinstall the spark arrester and muffler protector in reverse order of disassembly.



## PUMP STORAGE

For storage of the pump for over 30 days, the following is required:

- Drain the fuel tank completely.
- Run the engine until the fuel is completely consumed.
- Completely drain used oil from the engine crankcase and fill with fresh clean oil, then follow the procedures described in the engine manual for engine storage.
- Remove the drain plug from the pump and drain out any water from left in the housing.
- Remove the pump cover and clean inside of pump housing. Coat inside of pump housing with a light film of oil to reduce corrosion. A spray can of oil works well for this application.
- Cover suction and discharge ports with duct tape to prevent any foreign matter from falling into pump.
- Cover pump and engine with plastic covering or equivalent and store in a clean, dry place.
- To protect the water cooled-seals, place one-half pint of lubricating oil (new or used) through the discharge opening on the pump and crank the engine several times. This will prevent excessive corrosion and also keep the mechanical seal lubricated.

# TROUBLESHOOTING (ENGINE)

Troubleshooting (Engine)			
Symptom	Pilot Lamp Status	Possible Problem	Solution
Difficult to start, fuel is available but spark plug will not ignite. (Power available at high tension cable).	Red lamp flashes 2 times, turns OFF for 3 sec and repeats.	Ignition plug bridging?	Check gap, insulation or replace spark plug.
		Carbon deposit at ignition?	Clean or replace ignition.
		Short circuit due to defective insulators?	Replace insulators.
		Improper spark plug gap?	Set to proper gap.
Difficult to start, fuel is available but spark plug will not ignite. (Power NOT available at high tension cable).	Red lamp flashes 2 times, turns OFF for 3 sec and repeats.	Short circuit at stop switch?	Check switch wiring, replace switch if defective.
		Ignition coil defective?	Replace ignition coil.
Difficult to start, fuel is available, spark plug ignites (compression is normal).	Red lamp flashes 2 times, turns OFF for 3 sec and repeats.	Muffler clogged with carbon deposits?	Clean or replace muffler.
		Mixed fuel quality is inadequate?	Check fuel-to-oil mixture.
		Fuel in use inadequate (water, dust)?	Flush fuel system and replace with fresh fuel.
		Air cleaner clogged?	Clean or replace air cleaner.
Difficult to start, fuel is available, spark plug ignites. (compression is low).	Red light flashes 2 times, turns OFF for 3 sec and repeats.	Defective cylinder head gasket?	Tighten cylinder head bolts or replace head gasket.
		Cylinder worn?	Replace cylinder.
		Spark plug loose?	Tighten spark plug.
Engine does not start.	Red light flashes 2 times, turns OFF for 3 sec and repeats.	Low fuel or No fuel?	Add fuel.
	Oil Alert Lamp On and Red light flashes 2 times and repeats.	Low oil or No oil?	Add oil.
	Green and red lamps OFF.	No battery power?	Check battery or battery terminal connection.
		Insufficient battery power?	Charge or Replace battery.
		Wrong battery?	Replace with suitable size of battery.
	Red light flashes 5 times and repeats.	ECU error?	Contact Multiquip.
Red light flashes 2 times, turns OFF for 3 sec and repeats	Harness disconnected?	Repair harness connection.	

# TROUBLESHOOTING (ENGINE)

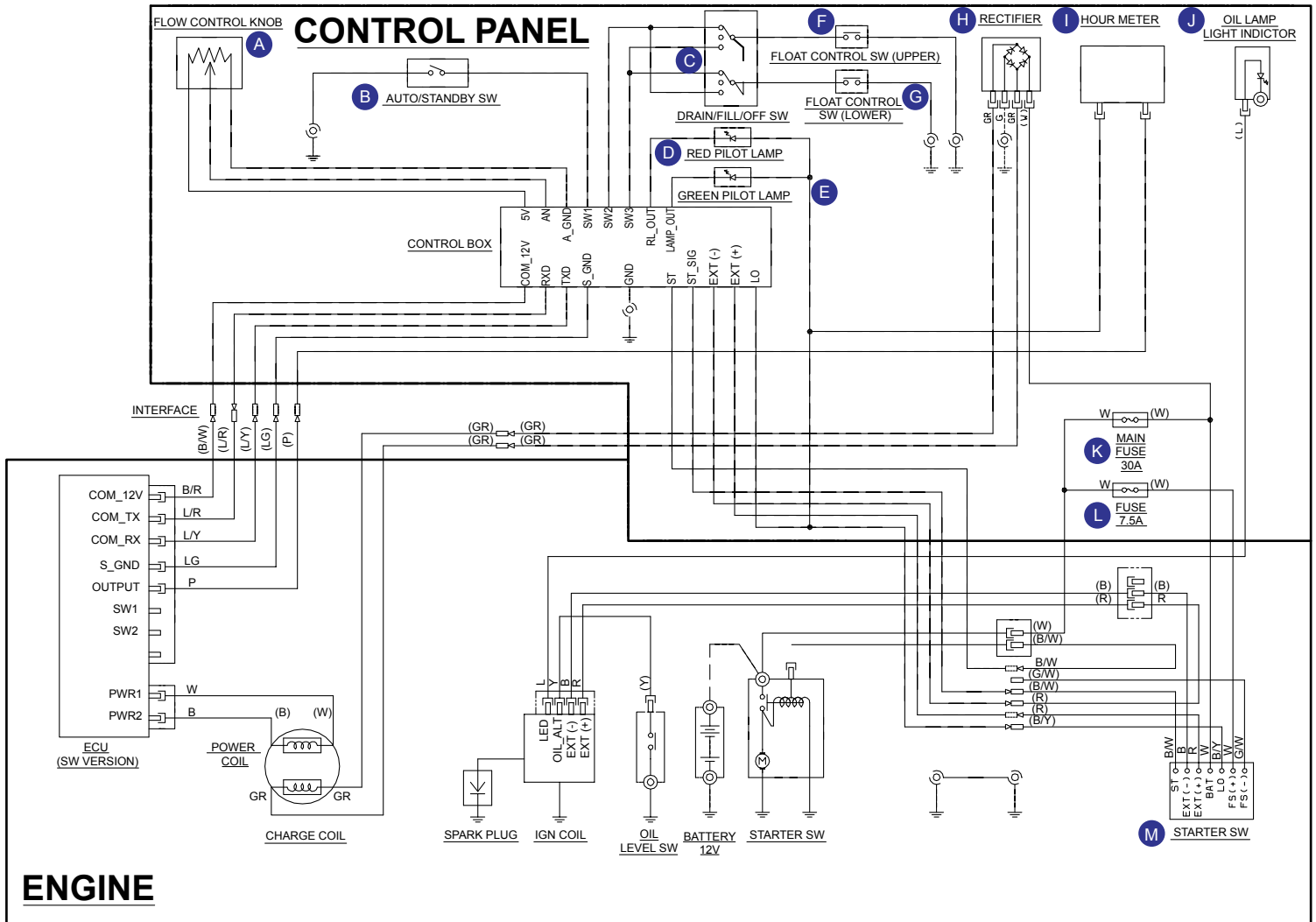
<b>Troubleshooting (Engine) - continued</b>			
<b>Symptom</b>	<b>Pilot Lamp Status</b>	<b>Possible Problem</b>	<b>Solution</b>
Weak in power, compression is proper and does not misfire.	Green lamp stays on.	Air cleaner clogged?	Clean or replace air cleaner.
		Air in fuel line?	Bleed (remove air) from fuel line.
		Fuel level in carburetor float chamber improper?	Adjust carburetor float.
		Carbon deposits in cylinder?	Clean or replace cylinder.
Weak in power, compression is proper but misfires.	Green lamp stays on.	Ignition coil defective?	Flush fuel system and replace with fresh fuel.
		Ignition plug often shorts?	Replace ignition wires, clean ignition.
		Fuel in use inadequate (water, dust)?	Flush fuel system and replace with fresh fuel.
Engine overheats.	Green lamp stays on.	Excessive carbon deposition in combustion chamber?	Clean or replace crankcase.
		Exhaust or muffler clogged with carbon?	Clean or replace muffler.
		Spark plug heat value incorrect?	Replace spark plug with correct type spark plug.
Rotational speed fluctuates.	Green lamp stays on.	Fuel flow erratic?	Check fuel line.
		Air taken in through suction line?	Check suction line.
Engine running and then stopped suddenly	Red lamp flashes 2 times	Low fuel or No fuel?	Add fuel.
	Oil Alert lamp On and red lamp flashes 2 times and repeats.	Low oil or No oil?	Add oil.
	Red lamp flashes 3 times and repeats.	Harness disconnected?	Repair harness connection.
Operation not satisfactory under DRAIN mode operation	Green lamp stays on.	Float switch connection failure?	Check for proper connection of float switch.
	Green and red lamps flash in 0.5 sec interval.	Float switch connection failure (upside down installation of upper/bottom float switches)?	Correct connection of float switches.
	Green lamp stays on.	Float switch cable disconnected/broken?	Replace float switch cable.
Operation Not satisfactory under FILL mode operation	Green lamp stays on.	Float switch connection failure?	Check for proper connection of float switch.
	Green and red lamps flash in 0.5 sec interval.	Float switch connection failure (upside down installation of upper/bottom float switches)?	Correct connection of float switches.
	Green lamp stays on.	Float switch cable disconnected/broken?	Replace float switch cable.

# TROUBLESHOOTING (PUMP)

<b>Troubleshooting (Trash Pump)</b>			
<b>Symptom</b>	<b>Pilot Lamp Status</b>	<b>Possible Problem</b>	<b>Solution</b>
Pump does not take on water (MANUAL mode).	Green lamp stays on, when engine starts and red lamp starts flashing, when pump does not take on water in 5 minutes.	Not enough priming water in the housing?	Add water.
		Engine speed too low?	Increase throttle.
		Strainer plugged?	Clean strainer.
		Suction hose damaged?	Replace or repair hose, and clamps.
		Air leak at suction port?	Check that fittings are tight and properly sealed.
		Pump is located too high above water line?	Move pump closer to water.
		Debris collecting in pump housing?	Clean pump housing.
		Too much distance between impeller and volute?	Adjust clearance by adding shims or replace impeller. Min. .006 inch - Max. .020 inch
		Water leaking out weep hole between pump and engine?	Check condition of mechanical seal and gaskets, between pump end and engine housing.
Pump does not take on water (AUTO mode).	Green lamp stays on, when engine starts and red lamp starts flashing, when pump does not take on water in 5 minutes.	Not enough priming water in the housing?	Add water.
		Strainer plugged?	Clean strainer.
		Suction hose damaged?	Replace or repair hose, and clamps.
		Air leak at suction port?	Check that fittings are tight and properly sealed.
		Pump is located too high above water line?	Move pump closer to water.
		Debris collecting in pump housing?	Clean pump housing.
		Too much distance between impeller and volute.	Adjust clearance by adding shims or replace impeller. Min. .006" - Max. .020".
		Water leaking out weep hole between pump and engine?	Check condition of mechanical seal and gaskets, between pump end and engine housing.
Pump takes in water, little or no discharge.	Green lamp stays on.	Engine speed too low (MANUAL mode)?	Increase throttle speed (MANUAL mode).
		Suction strainer partially plugged?	Clean strainer.
		Impeller/Volute worn?	Adjust clearance by adding shims or replace impeller/volute.
Suction hose leaks at inlet.	Green lamp stays on.	Fittings/clamps are not sealed properly?	Tighten, replace or add clamp. (Keep extra seals on pump).
		Hose diameter is too large?	Use smaller diameter hose or replace hose.
Discharge does not stay on coupling.	Green lamp stays on.	Pressure too high?	Check pressure, add additional clamp.
		Hose kinked or end blocked?	Check hose.
Impeller does not turn, pump is hard to start.	Green and red lamps OFF.	Impeller jammed or blocked?	Open pump cover and clean dirt and debris from inside housing.
		Impeller and volute binding?	Adjust clearance by removing shim from behind impeller.
		Defective engine?	See Engine Owner's Manual.



# WIRING DIAGRAM — CONTROL PANEL



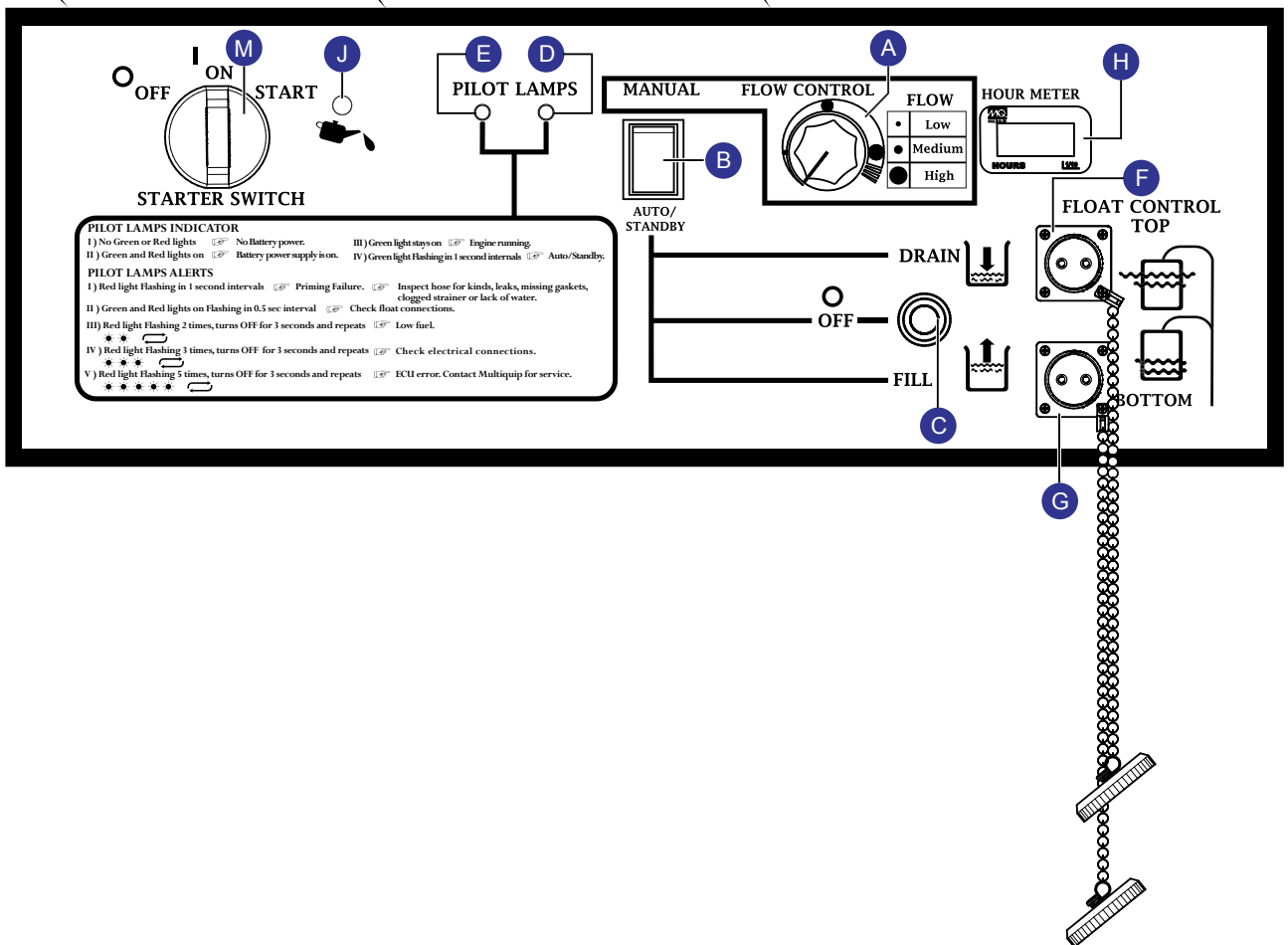
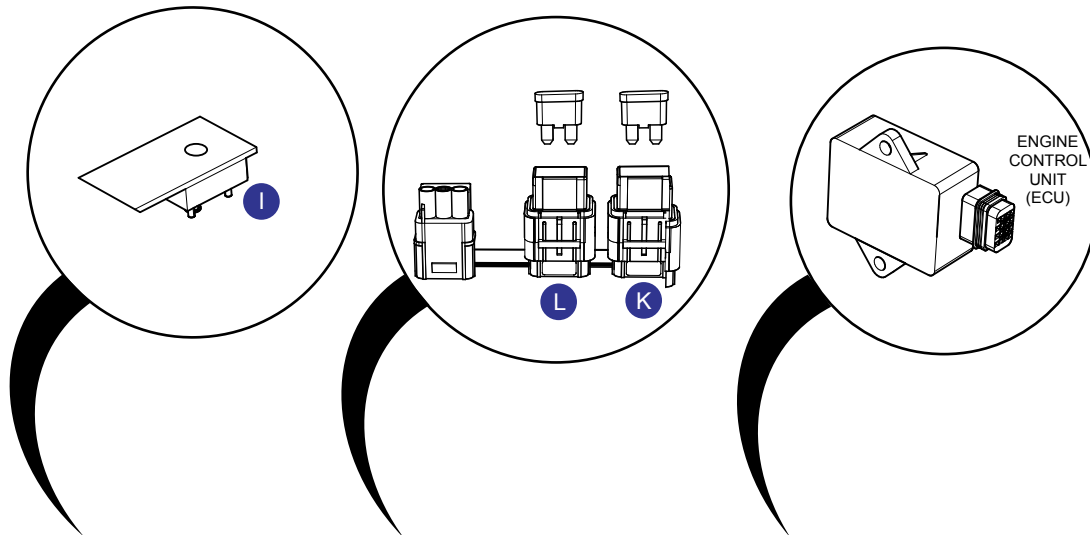
SW CONNECTION TABLE

	EXT (+)	EXT (-)	LO	BAT	ST	FS (+)	FS (-)
OFF						○	○
ON	○	○	○	○			
ST	○	○	○	○	○		

B	BR
Y	O
L	SB
G	LG
R	P
W	GR
V	BE

COLOR COMBO : GROUND/MARKING

# WIRING LOCATOR — CONTROL PANEL



# EXPLANATION OF CODE IN REMARKS COLUMN

The following section explains the different symbols and remarks used in the Parts section of this manual. Use the help numbers found on the back page of the manual if there are any questions.

## NOTICE

The contents and part numbers listed in the parts section are subject to change **without notice**. Multiquip does not guarantee the availability of the parts listed.

## SAMPLE PARTS LIST

NO.	PART NO.	PART NAME	QTY.	REMARKS
1	12345	BOLT .....	1	INCLUDES ITEMS W/%
2%		WASHER, 1/4 IN. ....		NOT SOLD SEPARATELY
2%	12347	WASHER, 3/8 IN. ...	1	MQ-45T ONLY
3	12348	HOSE .....	A/R	MAKE LOCALLY
4	12349	BEARING .....	1	S/N 2345B AND ABOVE

## NO. Column

**Unique Symbols** — All items with same unique symbol (@, #, +, %, or >) in the number column belong to the same assembly or kit, which is indicated by a note in the “Remarks” column.

**Duplicate Item Numbers** — Duplicate numbers indicate multiple part numbers, which are in effect for the same general item, such as different size saw blade guards in use or a part that has been updated on newer versions of the same machine.

## NOTICE

When ordering a part that has more than one item number listed, check the remarks column for help in determining the proper part to order.

## PART NO. Column

**Numbers Used** — Part numbers can be indicated by a number, a blank entry, or TBD.

TBD (To Be Determined) is generally used to show a part that has not been assigned a formal part number at the time of publication.

A blank entry generally indicates that the item is not sold separately or is not sold by Multiquip. Other entries will be clarified in the “Remarks” Column.

## QTY. Column

**Numbers Used** — Item quantity can be indicated by a number, a blank entry, or A/R.

A/R (As Required) is generally used for hoses or other parts that are sold in bulk and cut to length.

A blank entry generally indicates that the item is not sold separately. Other entries will be clarified in the “Remarks” Column.

## REMARKS Column

Some of the most common notes found in the “Remarks” Column are listed below. Other additional notes needed to describe the item can also be shown.

**Assembly/Kit** — All items on the parts list with the same unique symbol will be included when this item is purchased.

Indicated by:

“INCLUDES ITEMS W/(unique symbol)”

**Serial Number Break** — Used to list an effective serial number range where a particular part is used.

Indicated by:

“S/N XXXXX AND BELOW”

“S/N XXXX AND ABOVE”

“S/N XXXX TO S/N XXX”

**Specific Model Number Use** — Indicates that the part is used only with the specific model number or model number variant listed. It can also be used to show a part is NOT used on a specific model or model number variant.

Indicated by:

“XXXXX ONLY”

“NOT USED ON XXXX”

**“Make/Obtain Locally”** — Indicates that the part can be purchased at any hardware shop or made out of available items. Examples include battery cables, shims, and certain washers and nuts.

**“Not Sold Separately”** — Indicates that an item cannot be purchased as a separate item and is either part of an assembly/kit that can be purchased, or is not available for sale through Multiquip.



## SUGGESTED SPARE PARTS

### QP3TI TRASH PUMP 1 TO 3 UNITS

Qty.	P/N	Description
1	KIT3TE	MECHANICAL SEAL KIT
1	1992040033	ASSY IMPELLER KIT
1	43342012400011	IMPELLER WASHER
1	0480570850	O-RING, VOLUTE CASING
2	0631211159	CAP, FLOOD/DRAIN W/O-RING
2	1992108050	CAP

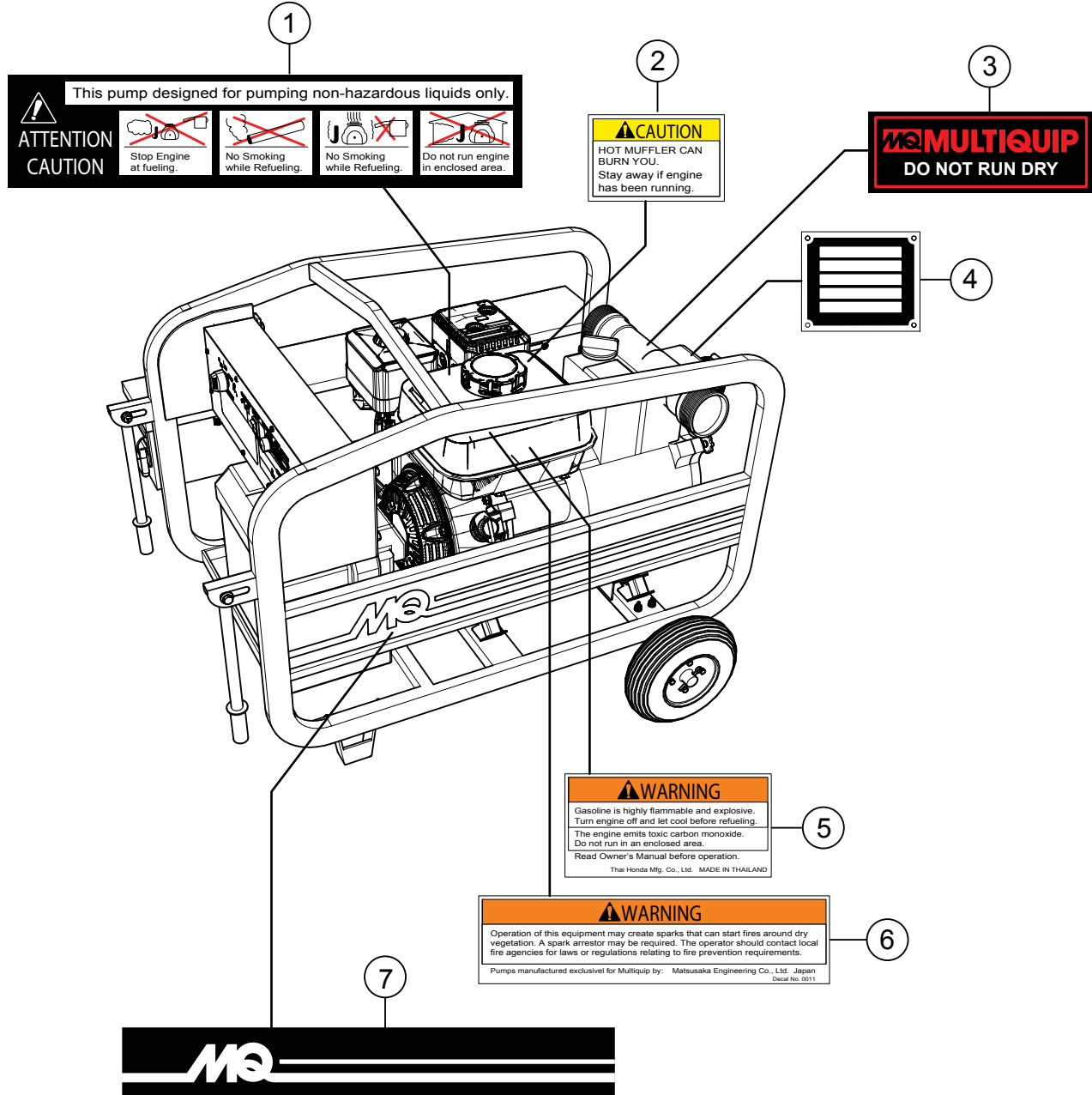
### HONDA iGX270UT2QZMD GASOLINE ENGINE 1 TO 3 UNITS

Qty.	P/N	Description
3	17210Z5KW00	ELEMENT COMP. A/C
1	17218ZE2505	FILTER, OUTER A/C
3	9807955846	SPARK PLUG
1	17620Z4H900	CAP COMP. FUEL TANK
1	9820040750	FUSE, MINI 7.5A
1	9820043000	FUSE, MINI 30A

#### NOTICE

Part numbers on this Suggested Spare Parts list may supersede/replace the part numbers shown in the following parts lists.

# NAMEPLATE AND DECALS ASSEMBLY

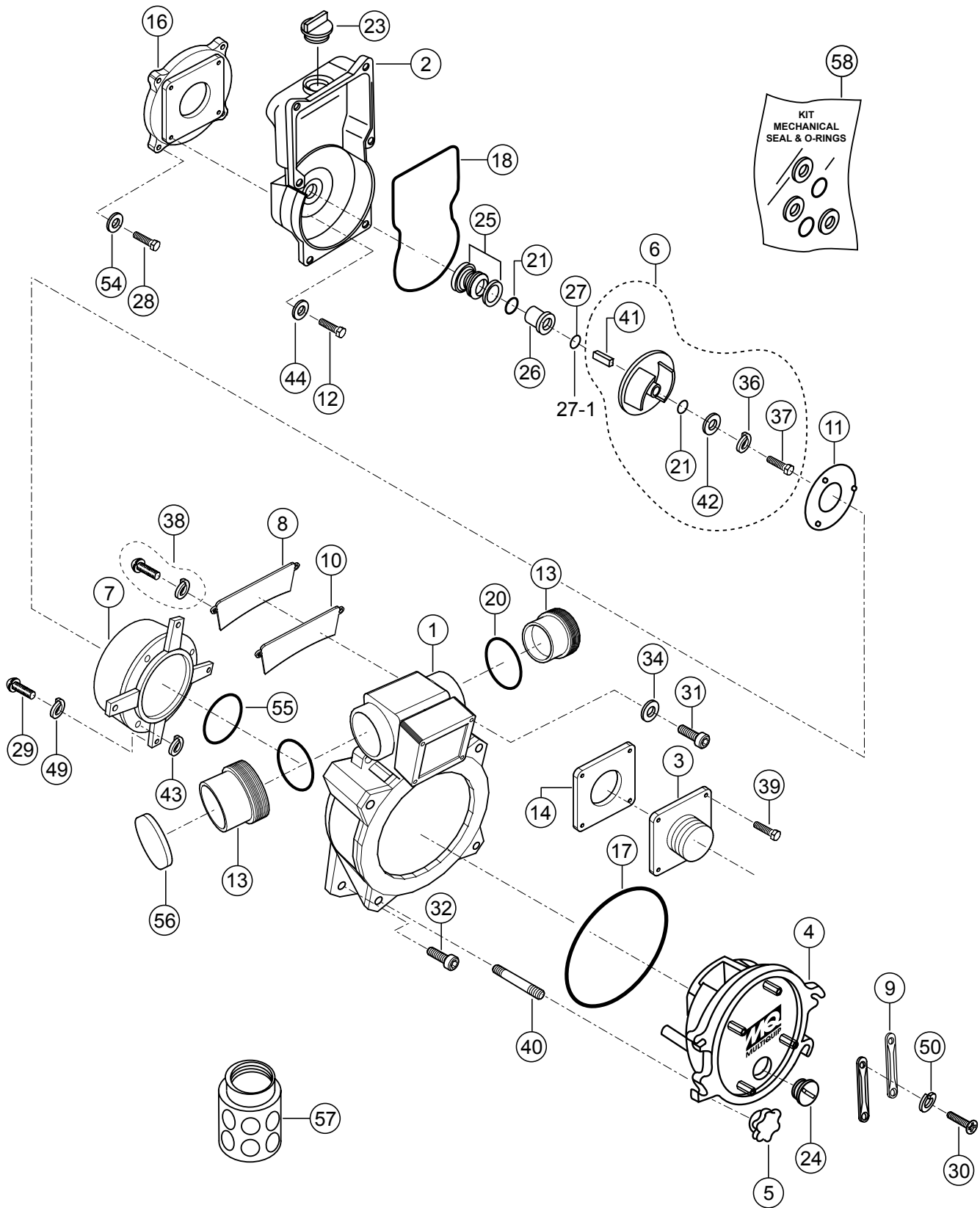


## **NAMEPLATE AND DECALS ASSEMBLY**

---

<u>NO.</u>	<u>PART NO.</u>	<u>PART NAME</u>	<u>QTY.</u>	<u>REMARKS</u>
1	TBD	DECAL, CAUTION, NO SMOKING	1	
2	TBD	DECAL, CAUTION, HOT MUFFLER	1	
3	TBD	DECAL, DO NOT RUN PUMP DRY	1	
4	TBD	SERIAL PLATE .....	1	.....CONTACT MQ PARTS DEPT.
5	TBD	DECAL, WARNING, FLAMMABLE	1	
6	TBD	DECAL, WARNING, START FIRES	1	
7	TBD	DECAL, MQ LOGO/STRIPE	1	

# PUMP ASSEMBLY



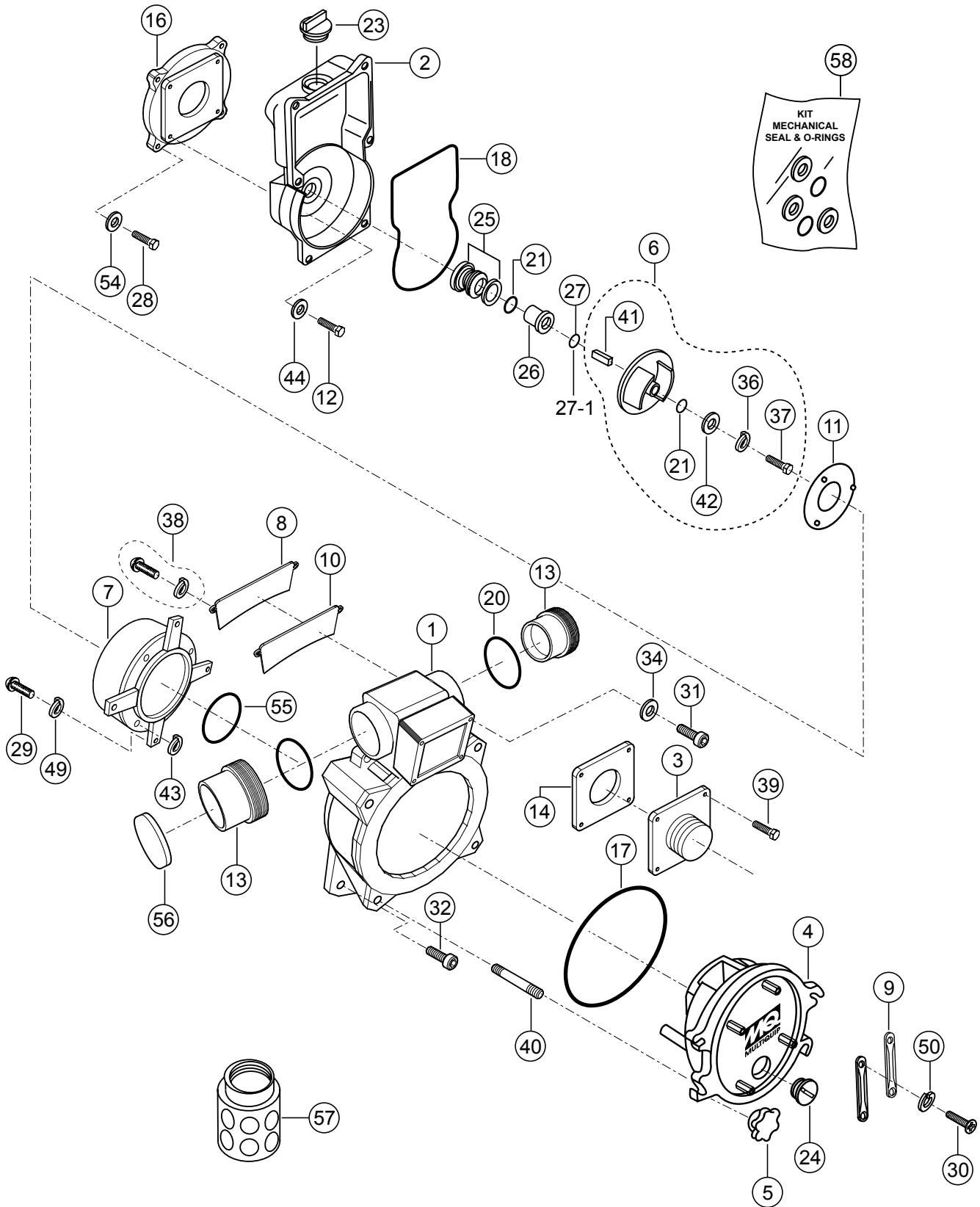
# PUMP ASSEMBLY

<u>NO.</u>	<u>PART NO.</u>	<u>PART NAME</u>	<u>QTY.</u>	<u>REMARKS</u>
1	1992100011	CASING	1	
2	1992100020	CASING COVER	1	
3	13910001600014	SUCTION COVER	1	
4	1992100173	DRAIN COVER	1	
5	19920002200014	DRAIN COVER HANDLE	4	
6	1992040033ASSY	IMPELLER ASSY.....	1	REPLACES P/N 1992040033 INCLUDES ITEMS W/#
7	1992000110	VOLUTE CASING	1	
8	1992100742	SUCTION PLATE	1	
9	12471002500002	DRAIN COVER SET HANDLE.....	2	REPLACES P/N 1247100250
10	1992330410	SUCTION PLATE PACKING	1	
11	1992250700	WEAR PLATE	1	
12	2008020	BOLT, CASING COVER.....	4	REPLACES P/N 0105090820
13	07904330300014	NIPPLE, NPS 3X3 NPT	2	
14	1378350350	CHECK VALVE	1	
16	43130006000014	CASING COVER SET PLATE	1	
17@	0483602250	O-RING, DRAIN COVER	1	
18	0489403400	O-RING, CASING	1	
19	0105091020	BOLT	2	
20	0481310800	O-RING, NIPPLE	2	
21#@	0482200240	O-RING	2	
23	0631211159	FLOODING CAP	1	
24	0631211159	DRAIN CAP	1	
25@	0803442930	MECHANICAL SEAL	1	
26@	0811885446	MECHANICAL SEAL SLEEVE	1	
27@	0852834525	ADJUST LINER	1	
27-1@	0852854525	ADJUST LINER	1	
28	0191170625	BOLT, CASING COVER SET PLATE	4	
29	0131190823	CAP SCREW, VOLUTE CASING	4	
30	0141090825	SCREW, DRAIN COVER SET HANDLE	4	
31	0131191290	CAP SCREW, CASING	1	
32	0131191235	CAP SCREW, CASING	4	
34	0459220120	SEAL WASHER, CASING	1	
36#	0458220100	SEAL WASHER, IMPELLER	1	
37#	0191190750	BOLT, IMPELLER	1	

### NOTICE

Item 21, O-ring, is included in Impeller Kit, Item 6. When ordered as part of the kit, quantity of -ring is one. Replacement Impeller requires two O-rings, so it is necessary to order one additional O-ring.

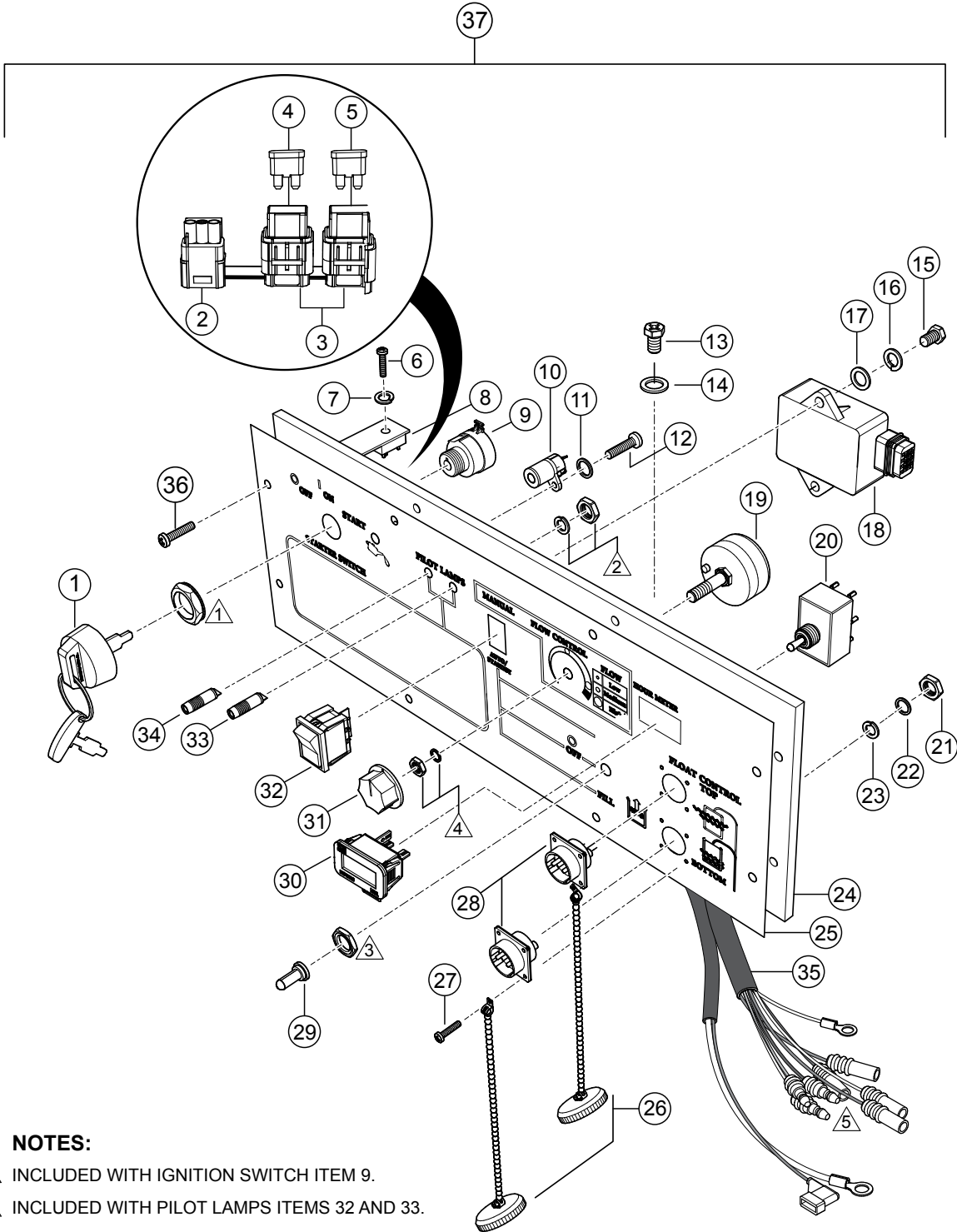
# PUMP ASSEMBLY (CONTINUED)



## PUMP ASSEMBLY (CONTINUED)

<u>NO.</u>	<u>PART NO.</u>	<u>PART NAME</u>	<u>QTY.</u>	<u>REMARKS</u>
38	0181090820	BOLT SET WITH LOCK WASHER	2	
39	0181090825	BOLT SET WITH LOCK WASHER	4	
40	0151191257	STUD BOLT, DRAIN COVER HANDLE	4	
41#	0520040431	KEY, IMPELLER	1	
42	1466251240	IMPELLER WASHER.....	1.....	REPLACES P/N 43342012400011
43	0204490060	U-NUT, WEAR PLATE	3	
44	0458220080	SEAL WASHER, CASING COVER	4	
49	0451290080	WASHER, LOCK VOLUTE CASING	4	
50	0451290080	WASHER, LOCK SS 20 MM	4	
54	0451250100	WASHER, LOCK.....	4.....	REPLACES P/N 0451290100
55	0480570850	O-RING, VOLUTE CASING	1	
56	1992108050	CAP	1	
57	0742214080	STRAINER	1	
58@	KIT3TE	MECHANICAL SEAL KIT.....	1.....	INCLUDES ITEMS W/@

# CONTROL PANEL ASSEMBLY



**NOTES:**

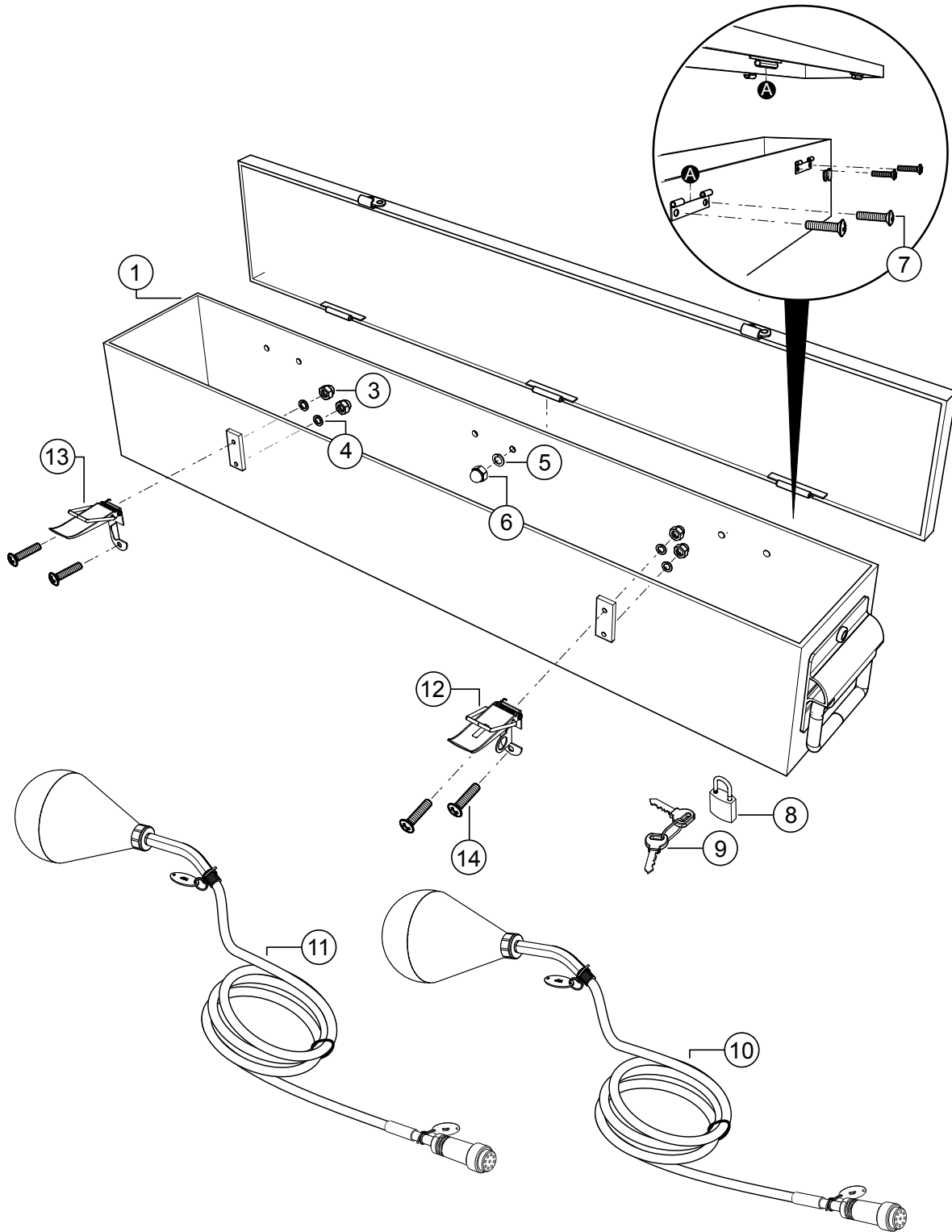
- ① INCLUDED WITH IGNITION SWITCH ITEM 9.
- ② INCLUDED WITH PILOT LAMPS ITEMS 32 AND 33.
- ③ INCLUDED WITH DRAIN/FILL SWITCH ITEM 20.
- ④ INCLUDED WITH FLOW CONTROL POTENTIOMETER ITEM 19.
- ⑤ WIRE HARNESS INCLUDED WITH CONTROL PANEL.



## CONTROL PANEL ASSEMBLY

<u>NO.</u>	<u>PART NO.</u>	<u>PART NAME</u>	<u>QTY.</u>	<u>REMARKS</u>
1#	TBD	IGNITION KEYS W/BOOT	2	
2#	TBD	CONNECTOR, 2-PIN, TEST PORT	1	
3#	TBD	FUSE HOLDER	2	
4#	TBD	FUSE, 7.5 AMP	1	
5#	TBD	FUSE, 30 AMP	1	
6#	TBD	SCREW	1	
7#	TBD	WASHER, LOCK	1	
8#	TBD	RECTIFIER	1	
9#	TBD	IGNITION SWITCH	1	
10#	TBD	OIL LAMP/HOLDER	1	
11#	TBD	SCREW	1	
12#	TBD	WASHER, LOCK	1	
13#	TBD	MACHINE SCREW	1	
14#	TBD	WASHER, FLAT	1	
15#	TBD	SCREW	2	
16#	TBD	WASHER, LOCK	2	
17#	TBD	WASHER, FLAT	2	
18#	7308802700	ECU	1	
19#	TBD	POTENTIOMETER	1	
20#	TBD	DRAIN FILL SWITCH	1	
21#	TBD	HEX NUT	8	
22#	TBD	WASHER, FLAT	8	
23#	TBD	WASHER, LOCK	8	
24#	TBD	CONTROL PANEL	1	
25#	TBD	PANEL OVERLAY	1	
26#	TBD	WATER PROOF CAP/WCHAIN	2	
27#	TBD	MACHINE SCREW	8	
29#	7308343200	RUBBER BOOT, SWITCH	1	
30#	TBD	HOUR METER	1	
31#	7308662910	KNOB	1	
32#	TBD	ROCKER SWITCH, AUTO/STANDBY	1	
33#	TBD	PILOT LAMP RED	1	
34#	TBD	PILOT LAMP GREEN	1	
35#	TBD	WIRE HARNESS	1	
36#.	0143090510	TRUSS HEAD SCREW	8	
37	3TIOPTCOPN	CONTROL PANEL ASSY.....	1.....	INCLUDES ITEMS W/#

# FLOAT SWITCHES AND UTILITY BOX ASSEMBLY

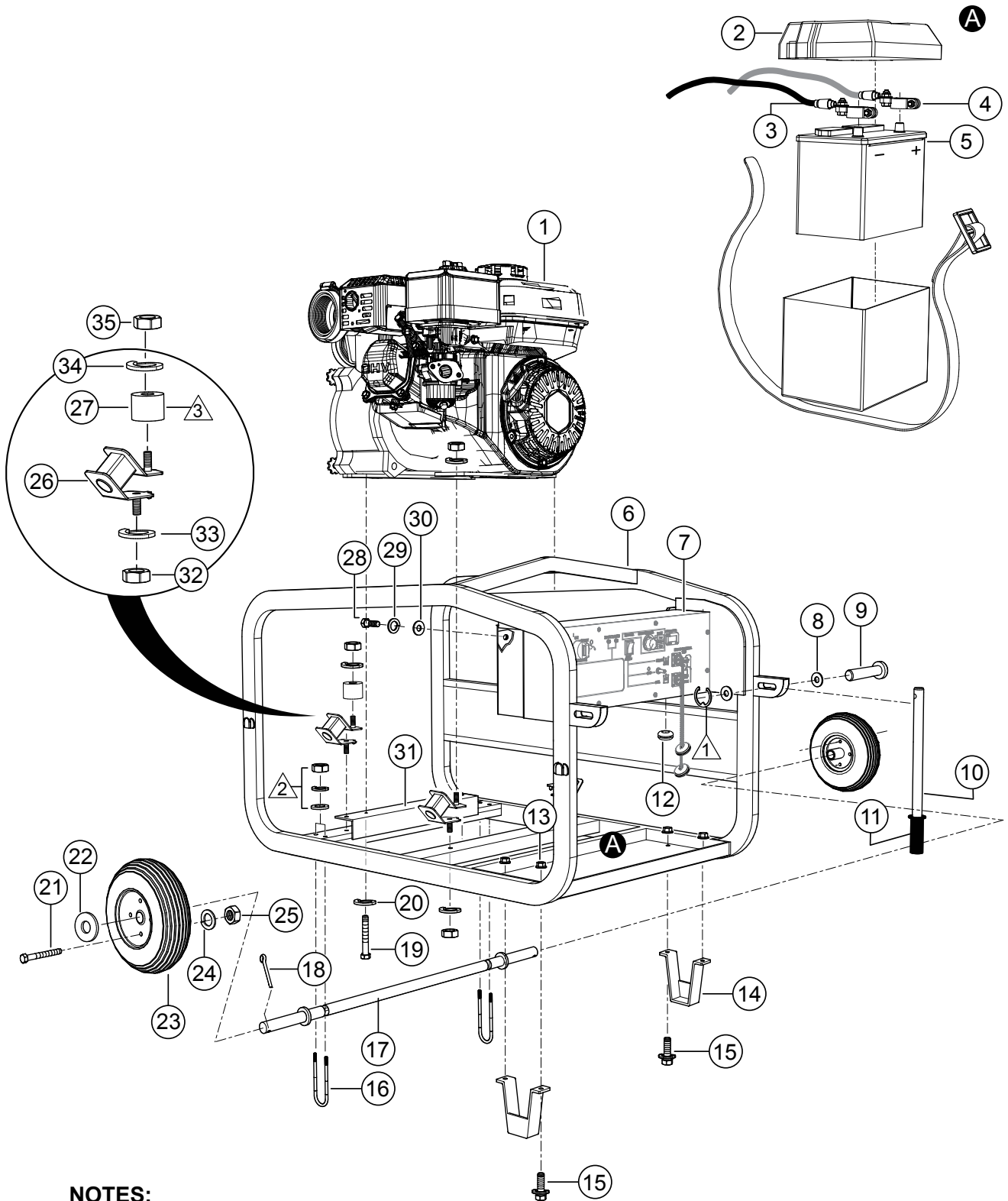


## FLOAT SWITCHES AND UTILITY BOX ASSEMBLY

---

<u>NO.</u>	<u>PART NO.</u>	<u>PART NAME</u>	<u>QTY.</u>	<u>REMARKS</u>
1	QP3BOX	UTILITY BOX, COMPLETE .....	1.....	OPTION
3	TBD	NUT, ACORN, SMALL	4	
4	TBD	WASHER, FLAT	4	
5	TBD	WASHER, LOCK	6	
6	TBD	NUT, ACORN, LARGE	6	
7	TBD	PAN HEAD SCREW	6	
8	TBD	PAD LOCK	1	
9	TBD	KEYS/LOCK	2	
10	FS43	FLOAT SWITCH, DUAL FLT. ASSY., 43', 13M	1	
11	FS65	FLOAT SWITCH, DUAL FLT. ASSY., 65', 20M .....	1.....	OPTION
12	TBD	LATCH RIGHT-SIDE	1	
13	TBD	LATCH LEFT-SIDE	1	
14	TBD	PHILLIPS HEAD SCREW	4	

# FRAME AND BATTERY ASSEMBLY



## NOTES:

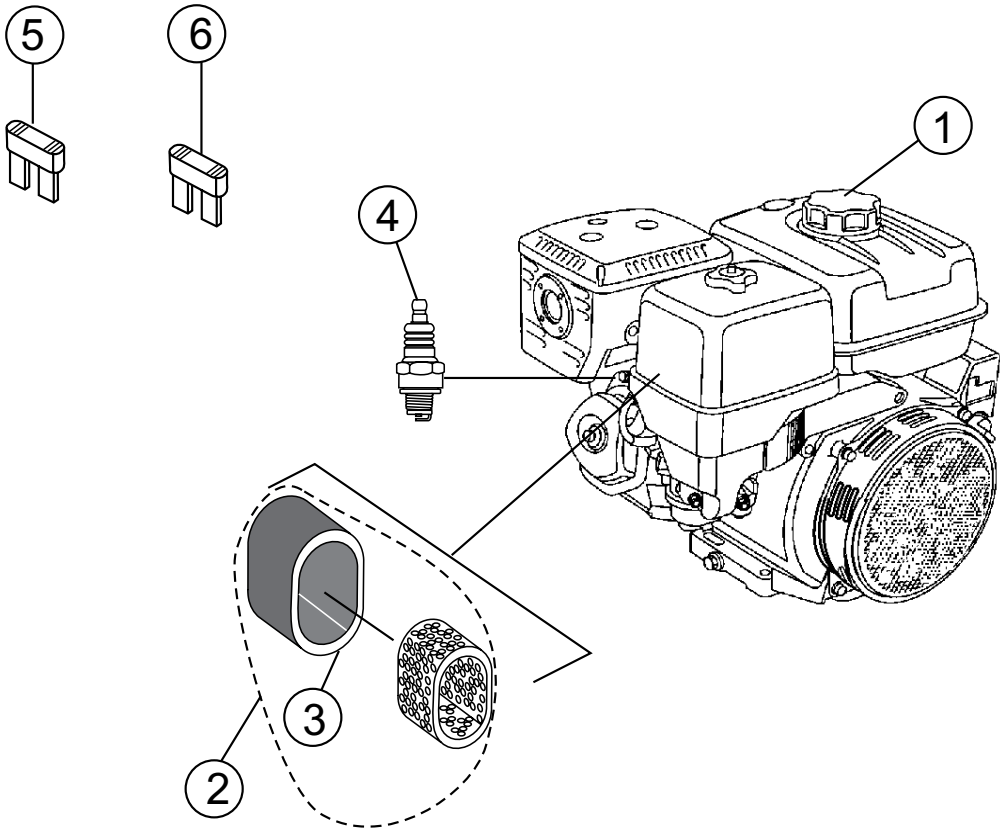
- ① INCLUDED WITH HINGE PIN ITEM# 9.
- ② INCLUDED WITH U-BOLT ITEM 16.
- ③ USE WITH PUMP END ONLY.

## FRAME AND BATTERY ASSEMBLY

<u>NO.</u>	<u>PART NO.</u>	<u>PART NAME</u>	<u>QTY.</u>	<u>REMARKS</u>
1	iGX270UT2QZMD	ENGINE	1	
2	7308805200	BATTERY BOX	1	
3	0972159055	BATTERY CABLE (-)	1	
4	0972159075	BATTERY CABLE (+)	1	
5	TBD	BATTERY	1	
6	7308214010P002	BASE, PIPE FRAME	1	
7	TBD	CONTROL BOX, REAR PANEL	1	
8	0401650080	WASHER, FLAT	4	
9	0652500830	HINGE PIN WITH SNAP RING	2	
10	73082148700014	HANDLE	2	
11	0732502211	GRIP, RUBBER	2	
12	7308343000	GROMMET	1	
13	0209190080	FLANGE NUT	4	
14	73082139500014	PUMP STAND	2	
15	2008020	BOLT SET WITH LOCK WASHER.....	4.....	REPLACES P/N 0105090820
16	0190102057	U-BOLT .....	2.....	INCLUDES MTG.HDW
17	73082092300014	AXLE	1	
18	0641400430	COTTER PIN	2	
19	0105091020	BOLT	2	
20	0451250100	WASHER, LOCK.....	6.....	REPLACES P/N 0451290100
21	TBD	BOLT	8	
22	0401450200	WASHER, 20 MM	2	
23	0982601906	TIRE	2	
24	TBD	WASHER, LOCK	8	
25	TBD	NUT	8	
26	0725223229	CUSHION RUBBER, SLANT MOUNT	4	
27	73082246500014	CUSHION RUBBER SPACER	2	
28	0105090612	BOLT	4	
29	0451290060	WASHER, LOCK	4	
30	0401650060	WASHER, FLAT	4	
31	73082445500014	CUSHION RUBBER STAY	1	
32	0205490080	NUT	4	
33	0451290080	WASHER, LOCK 8MM	4	
34	0451290100	WASHER, LOCK	4	
35	0205490101	NUT	4	

# HONDA iGX270UT2QZMD ENGINE SERVICE PARTS

---



## HONDA iGX270UT2QZMD ENGINE SERVICE PARTS

---

<u>NO.</u>	<u>PART NO.</u>	<u>PART NAME</u>	<u>QTY.</u>	<u>REMARKS</u>
1	17620Z4H900	CAP COMP., FUEL TANK	1	
2	17210Z5KW00	ELEMENT COMP., AIR CLEANER.....	1.....	INCLUDES ITEM W/ #
3#	17218ZE2505	FILTER, OUTER	1	
4	9807955846	SPARK PLUG (BPR5ES)	1	
5	9820040750	FUSE, MINI 7.5A	1	
6	9820043000	FUSE, MINI 30A	1	

# TERMS AND CONDITIONS OF SALE — PARTS

## PAYMENT TERMS

Terms of payment for parts are net 30 days.

## FREIGHT POLICY

All parts orders will be shipped collect or prepaid with the charges added to the invoice. All shipments are F.O.B. point of origin. Multiquip's responsibility ceases when a signed manifest has been obtained from the carrier, and any claim for shortage or damage must be settled between the consignee and the carrier.

## MINIMUM ORDER

The minimum charge for orders from Multiquip is \$15.00 net. Customers will be asked for instructions regarding handling of orders not meeting this requirement.

## RETURNED GOODS POLICY

Return shipments will be accepted and credit will be allowed, subject to the following provisions:

1. A Returned Material Authorization must be approved by Multiquip prior to shipment.
2. To obtain a Return Material Authorization, a list must be provided to Multiquip Parts Sales that defines item numbers, quantities, and descriptions of the items to be returned.
  - a. The parts numbers and descriptions must match the current parts price list.
  - b. The list must be typed or computer generated.
  - c. The list must state the reason(s) for the return.
  - d. The list must reference the sales order(s) or invoice(s) under which the items were originally purchased.
  - e. The list must include the name and phone number of the person requesting the RMA.
3. A copy of the Return Material Authorization must accompany the return shipment.
4. Freight is at the sender's expense. All parts must be returned freight prepaid to Multiquip's designated receiving point.

5. Parts must be in new and resalable condition, in the original Multiquip package (if any), and with Multiquip part numbers clearly marked.
6. The following items are not returnable:
  - a. Obsolete parts. (If an item is in the price book and shows as being replaced by another item, it is obsolete.)
  - b. Any parts with a limited shelf life (such as gaskets, seals, "O" rings, and other rubber parts) that were purchased more than six months prior to the return date.
  - c. Any line item with an extended dealer net price of less than \$5.00.
  - d. Special order items.
  - e. Electrical components.
  - f. Paint, chemicals, and lubricants.
  - g. Decals and paper products.
  - h. Items purchased in kits.
7. The sender will be notified of any material received that is not acceptable.
8. Such material will be held for five working days from notification, pending instructions. If a reply is not received within five days, the material will be returned to the sender at his expense.
9. Credit on returned parts will be issued at dealer net price at time of the original purchase, less a 15% restocking charge.
10. In cases where an item is accepted, for which the original purchase document can not be determined, the price will be based on the list price that was effective twelve months prior to the RMA date.
11. Credit issued will be applied to future purchases only.

## PRICING AND REBATES

Prices are subject to change without prior notice. Price changes are effective on a specific date and all orders received on or after that date will be billed at the revised price. Rebates for price declines and added charges for price increases will not be made for stock on hand at the time of any price change.

Multiquip reserves the right to quote and sell direct to Government agencies, and to Original Equipment Manufacturer accounts who use our products as integral parts of their own products.

## SPECIAL EXPEDITING SERVICE

A \$35.00 surcharge will be added to the invoice for special handling including bus shipments, insured parcel post or in cases where Multiquip must personally deliver the parts to the carrier.

## LIMITATIONS OF SELLER'S LIABILITY

Multiquip shall not be liable hereunder for damages in excess of the purchase price of the item with respect to which damages are claimed, and in no event shall Multiquip be liable for loss of profit or good will or for any other special, consequential or incidental damages.

## LIMITATION OF WARRANTIES

No warranties, express or implied, are made in connection with the sale of parts or trade accessories nor as to any engine not manufactured by Multiquip. Such warranties made in connection with the sale of new, complete units are made exclusively by a statement of warranty packaged with such units, and Multiquip neither assumes nor authorizes any person to assume for it any other obligation or liability whatever in connection with the sale of its products. Apart from such written statement of warranty, there are no warranties, express, implied or statutory, which extend beyond the description of the products on the face hereof.

Effective: February 22, 2006





# OPERATION AND PARTS MANUAL

## HERE'S HOW TO GET HELP

PLEASE HAVE THE MODEL AND SERIAL  
NUMBER ON-HAND WHEN CALLING

### UNITED STATES

#### ***Multiquip Corporate Office***

18910 Wilmington Ave.  
Carson, CA 90746  
Contact: mq@multiquip.com

Tel. (800) 421-1244  
Fax (310) 537-3927

#### ***Service Department***

800-421-1244  
310-537-3700

Fax: 310-537-4259

#### ***Technical Assistance***

800-478-1244

Fax: 310-943-2238

#### ***MQ Parts Department***

800-427-1244  
310-537-3700

Fax: 800-672-7877  
Fax: 310-637-3284

#### ***Warranty Department***

800-421-1244  
310-537-3700

Fax: 310-943-2249

---

### CANADA

#### ***Multiquip***

4110 Industriel Boul.  
Laval, Quebec, Canada H7L 6V3  
Contact: jmartin@multiquip.com

Tel: (450) 625-2244  
Tel: (877) 963-4411  
Fax: (450) 625-8664

---

### UNITED KINGDOM

#### ***Multiquip (UK) Limited Head Office***

Unit 2, Northpoint Industrial Estate,  
Globe Lane,  
Dukinfield, Cheshire SK16 4UJ  
Contact: sales@multiquip.co.uk

Tel: 0161 339 2223  
Fax: 0161 339 3226

© COPYRIGHT 2014, MULTIQUIP INC.

Multiquip Inc, the MQ logo are registered trademarks of Multiquip Inc. and may not be used, reproduced, or altered without written permission. All other trademarks are the property of their respective owners and used with permission.

This manual MUST accompany the equipment at all times. This manual is considered a permanent part of the equipment and should remain with the unit if resold.

The information and specifications included in this publication were in effect at the time of approval for printing. Illustrations, descriptions, references and technical data contained in this manual are for guidance only and may not be considered as binding. Multiquip Inc. reserves the right to discontinue or change specifications, design or the information published in this publication at any time without notice and without incurring any obligations.

Your Local Dealer is:

