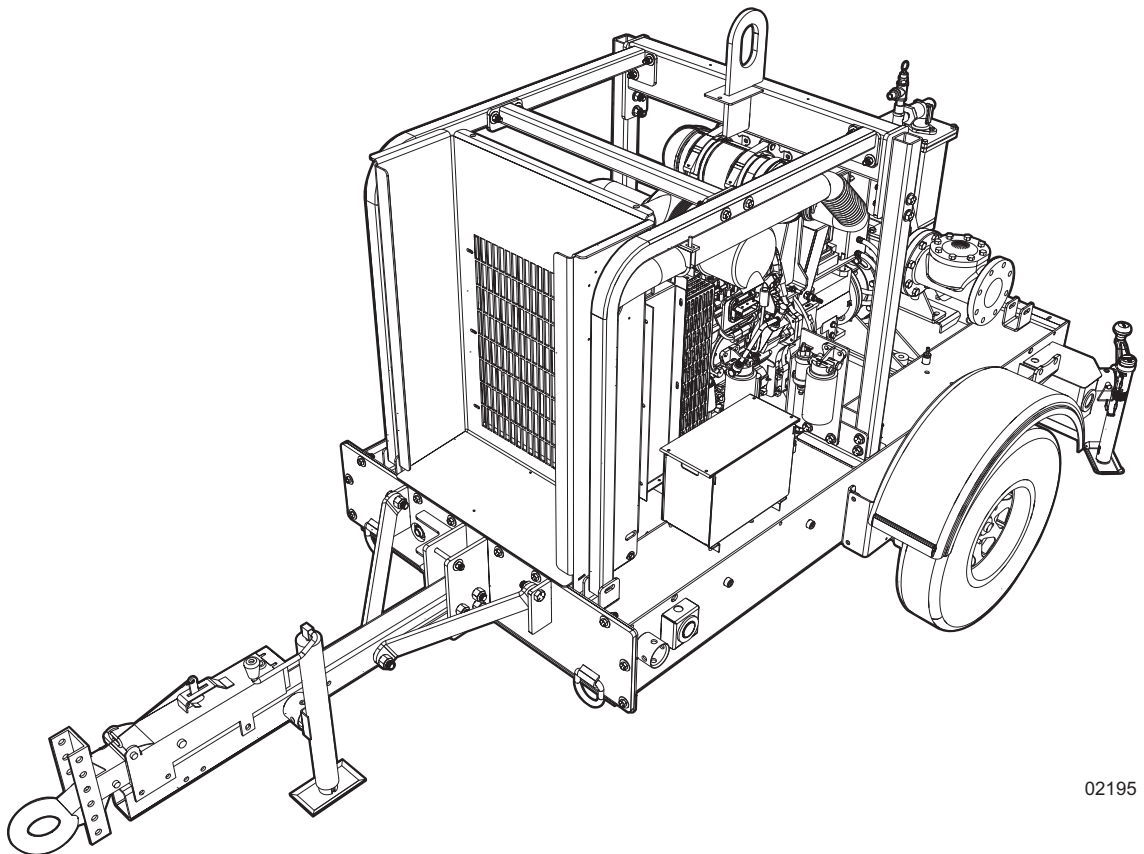


# GENERAC®

# MAGNUM

## DRY-PRIME DIESEL TRASH PUMP MTP4DZV



02195

## PARTS MANUAL

---

**⚠ WARNING**

California Proposition 65. Engine exhaust and some of its constituents are known to the state of California to cause cancer, birth defects, and other reproductive harm.

(000004)

---

---

**⚠ WARNING**

California Proposition 65. This product contains or emits chemicals known to the state of California to cause cancer, birth defects, and other reproductive harm.

(000005)

---

---

**⚠ WARNING**

Environmental Hazard. Always recycle batteries at an official recycling center in accordance with all local laws and regulations. Failure to do so could result in environmental damage, death or serious injury.

(000228)

---

## Introduction

This parts manual was prepared based on the information available at the time of publication and is subject to change without notice. Generac Mobile Products reserves the right to change parts at any time. To check whether a revised parts manual is available, contact Generac Mobile Products.

DO NOT MODIFY or use this equipment for any application other than which it was designed for. To keep your equipment fully operational, it is suggested you maintain a stock of commonly used maintenance or service parts. A recommended spare parts list can be found in the back of this manual. To order service parts, please go to [www.generacmobileproducts.com](http://www.generacmobileproducts.com) or call Generac Mobile Products.

### **▲ WARNING**

**Before operating or servicing this equipment, read and understand the Generac Mobile Products Operating Manual which was included with the unit when shipped from the factory. Failure to do so increases the risk of injury to yourself or others.**

## **GENERAC MOBILE PRODUCTS LLC**

**215 Power Drive • Berlin, WI 54923 U.S.A.**

**Phone: 920-361-4442**

**FAX: 920-361-4416**

**Toll Free: 1-800-926-9768**

**[www.generacmobileproducts.com](http://www.generacmobileproducts.com)**

**For technical or parts QUESTIONS, please contact the Generac Mobile Products Technical Service team at 1-800-926-9768.**

Engine Make: \_\_\_\_\_

Engine Serial Number: \_\_\_\_\_

Engine Model Number: \_\_\_\_\_

Pump Make: \_\_\_\_\_

Pump Model Number: \_\_\_\_\_

Pump Serial Number: \_\_\_\_\_

Unit Model Number: \_\_\_\_\_

Unit Serial Number: \_\_\_\_\_

This Page Intentionally Left Blank

# Table of Contents

Introduction .....	iii
Parts Manual Instructions.....	1
Unit Decals - Left Side.....	2
Unit Decals - Right Side .....	4
Control Panel Assembly .....	6
Air Filter Assembly.....	8
Exhaust System Assembly .....	10
Cooling System Assembly.....	12
Engine and Pump to Skid Assembly .....	14
Engine Assembly - Left Side .....	16
Engine Assembly - Right Side .....	18
External Pump Assembly .....	20
Pump Air Compressor Assembly.....	22
Bearing Frame Assembly .....	24
Priming Chamber Assembly .....	26
Internal Pump Assembly.....	28
Lift Support Assembly.....	30
Fuel Tank / Trailer Assembly (3 of 3) .....	32
Fuel Tank / Trailer Assembly (2 of 3) .....	34
Fuel Tank / Trailer Assembly (1 of 3) .....	36
Trailer Hitch Options .....	38
Axle Assembly .....	40
Trailer Brake Lines .....	42
Recommended Spare Parts List.....	44

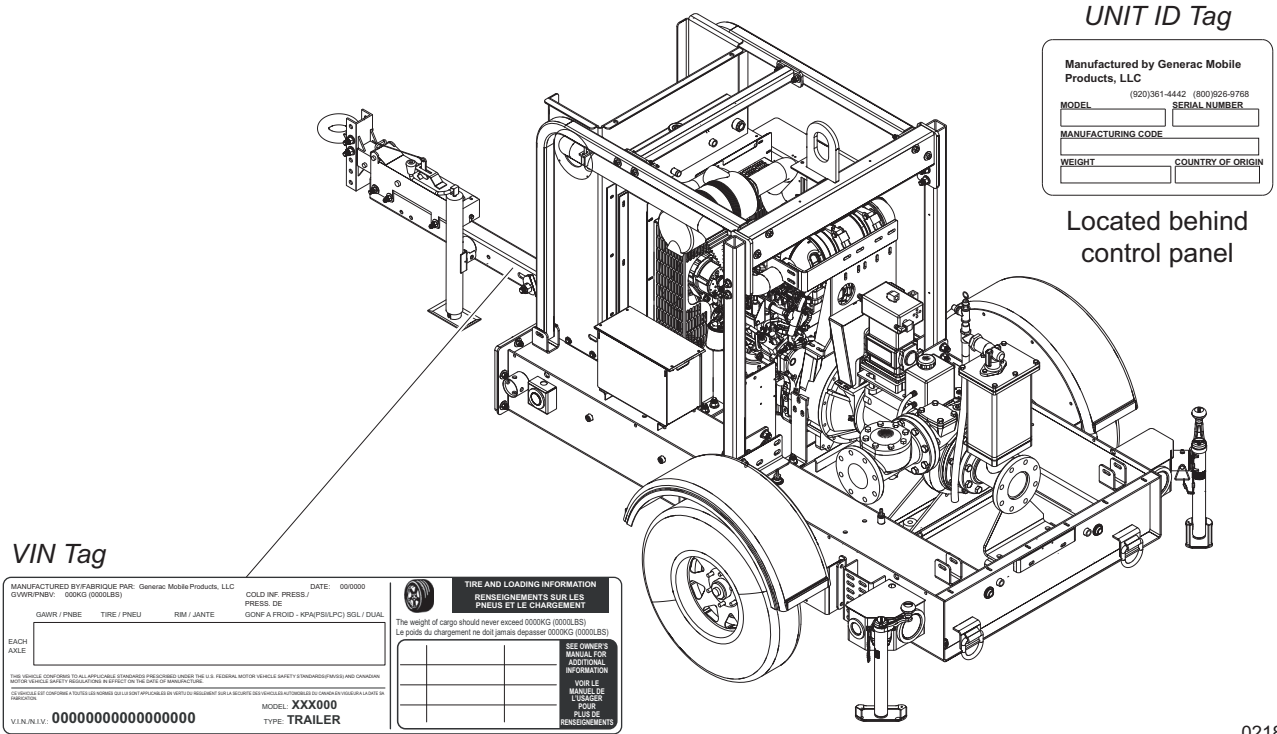
This Page Intentionally Left Blank

# Parts Manual Instructions

Product illustrations are only representations. Products supplied may vary from the illustrations in this parts manual. Parts not shown in the illustration are indicated by a double dash (--) in the item column.

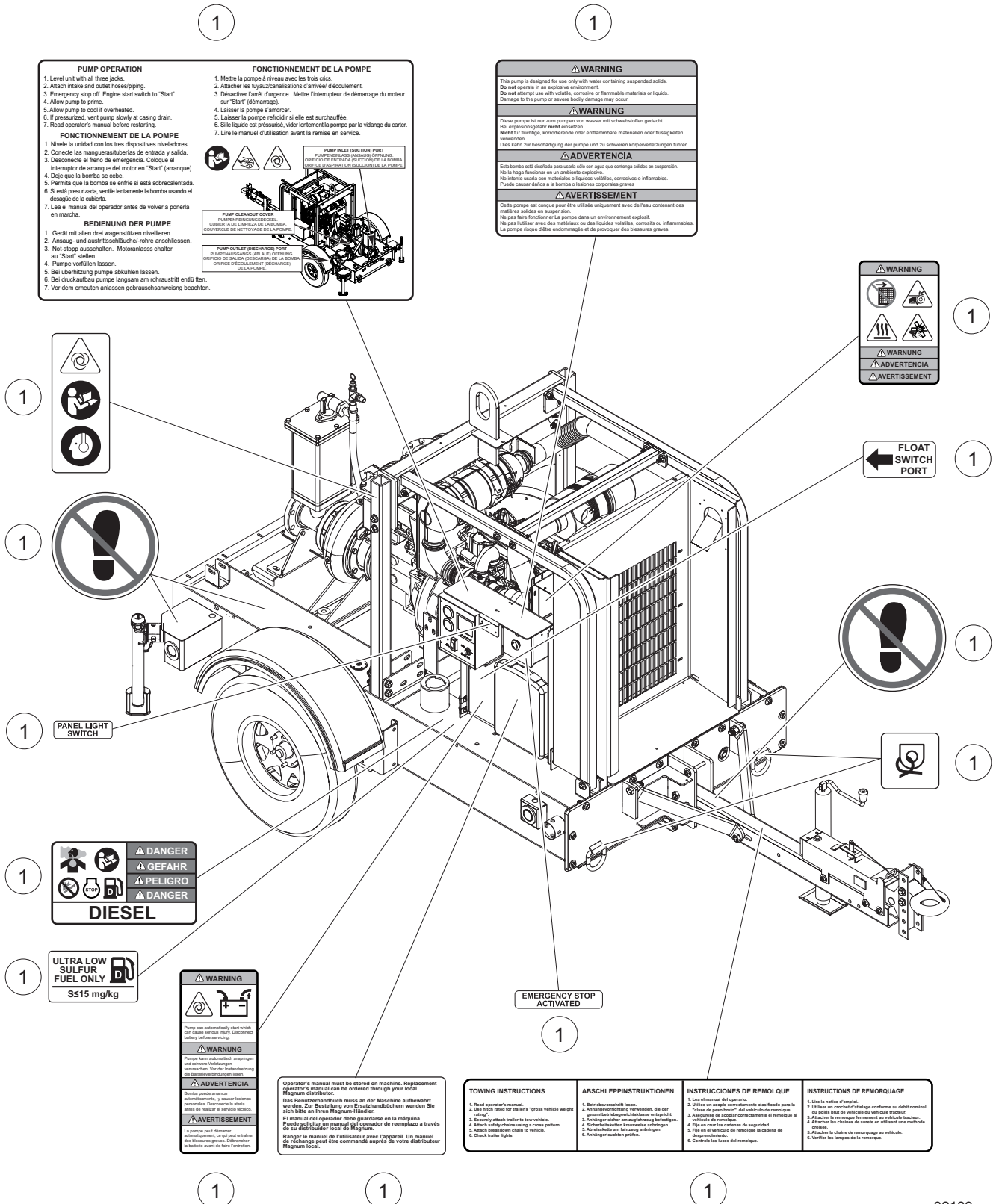
Please be prepared to provide the following information when ordering replacement parts: model number, serial number (on unit serial tag), part number, purchase order number (if applicable), shipping address, shipping method.

Refer to the illustration below to locate the unit ID tag and Vehicle Identification Number (VIN) tag on the unit. Important information, such as the unit serial number, model number, VIN and tire loading information are found on these tags. Record the information from these tags so it is available if the tags are lost or damaged. When ordering parts or requesting assistance, you may be asked to provide this information.



02188

# UNIT DECALS - LEFT SIDE





## UNIT DECALS - LEFT SIDE

---

Item	Part No.	Qty	Description	Notes
1	54344	1	Decal, safety/op 4-6 dry open	

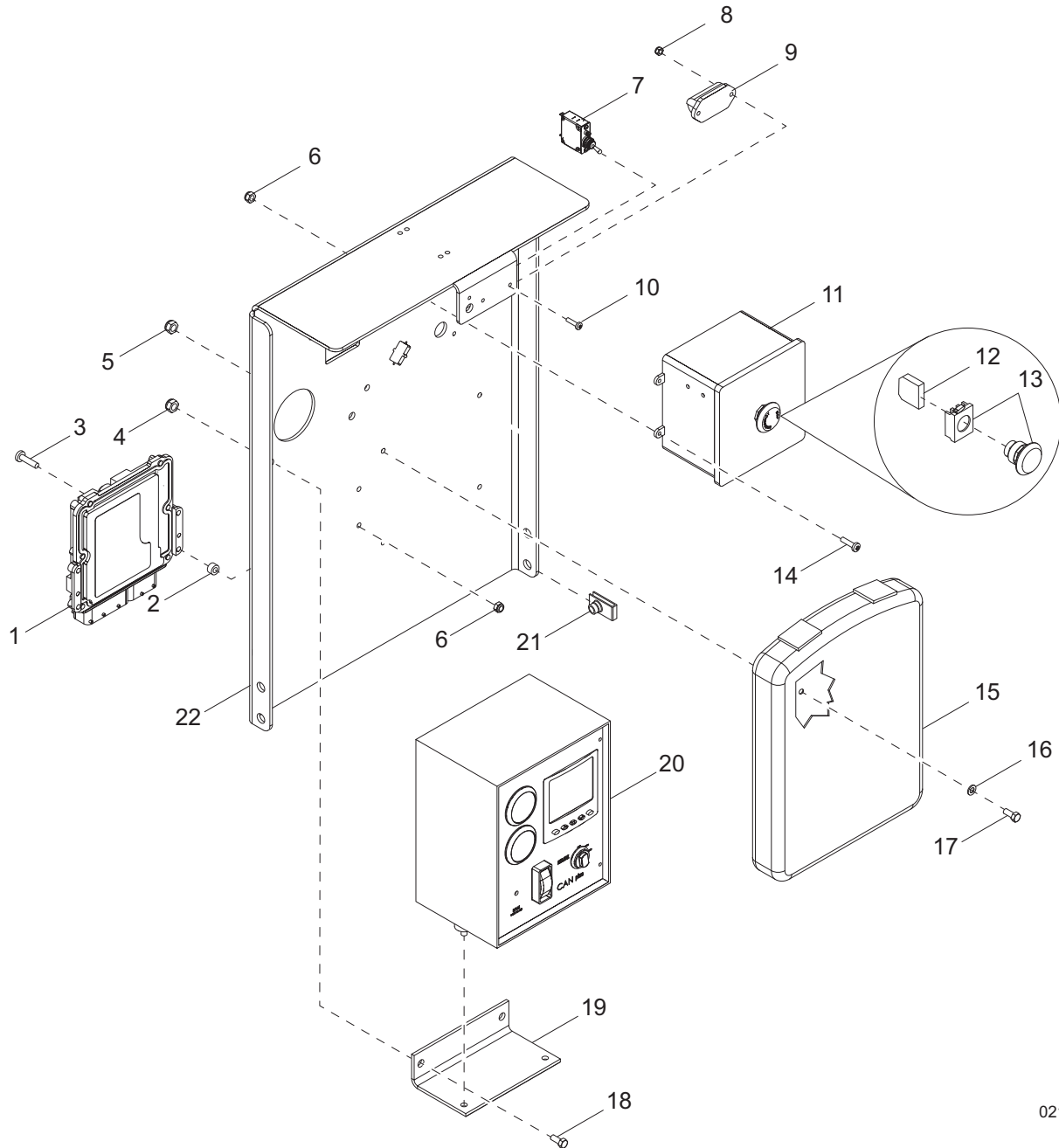


## UNIT DECALS - RIGHT SIDE

---

Item	Part No.	Qty	Description	Notes
1	54344	1	Decal, safety/op 4-6 dry open	

# CONTROL PANEL ASSEMBLY



02153

## CONTROL PANEL ASSEMBLY

---

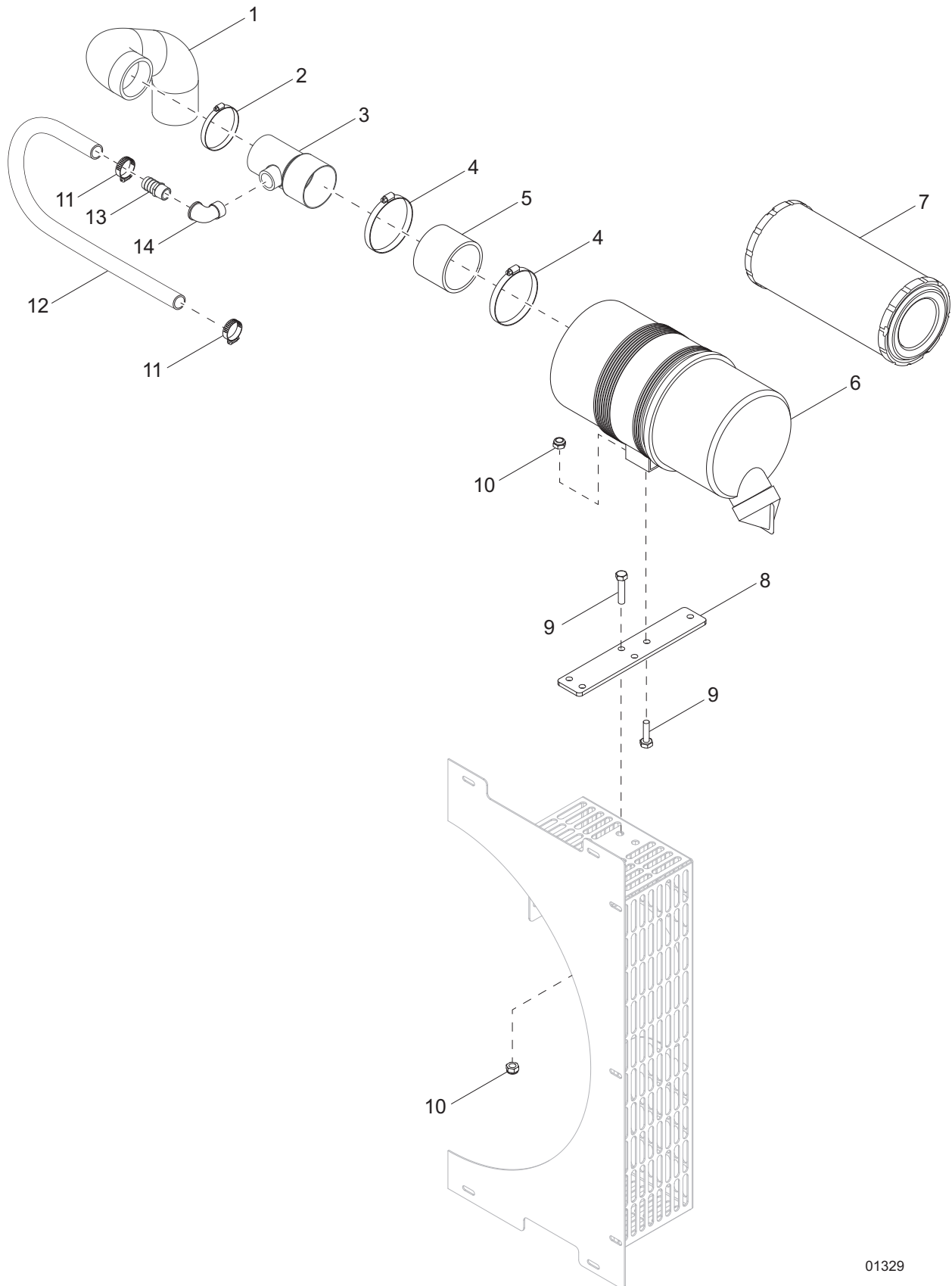
Item	Part No.	Qty	Description	Notes
1	31509	1	ECU, Duetz 2.9	w/hardware
2	66257	4	Spacer, .20ID, .375OD, .25 thick	
3	60397	4	Screw, 10-32 x 1.0 pan phil, G2	
4	60358	2	Nut, .375-16 nylock, G5	
5	60144	4	Nut, .250-20 nylock, G5	
6	60061	4	Nut, 10-32 nylock	
7	36880	1	Switch, light	
8	60270	2	Nut, 8-32 nylock, G6	
9	36879	1	Light, license plate	
10	60244	2	Screw, 8-32 x .750 pan phil, G2	
11	54019	1	Assembly, E-stop box	
12	65584	1	Block, E-stop contactor NO/NO	
13	65470	1	Switch, E-stop operator	
14	60062	4	Screw, 10-32 x .750 pan phil, G2	
15	24540	1	Holder, manual	
16	60243	4	Washer, .250 flat, .735/.060	
17	60281	4	Screw, .250-20 x .750 hex, G5	
18	60352	2	Screw, .375-16 x 1.25 hex	
19	53693B	1	Bracket, controller mounting	
20	54306	1	Assembly, control box w/controller - Lofa750	w/hardware
21	60727	4	Nut, .375-16 U-clip, short type	
22	31732B	1	Bracket, control box	
--	68304	1	Harness, main	
--	49986	1	Harness, float switch extension	

### OPTIONAL FEATURES

#### *Float Switch - Lofa 750:*

--	41581	2	Assembly, float switch
--	49607	1	Adapter, harness - float switch

# AIR FILTER ASSEMBLY



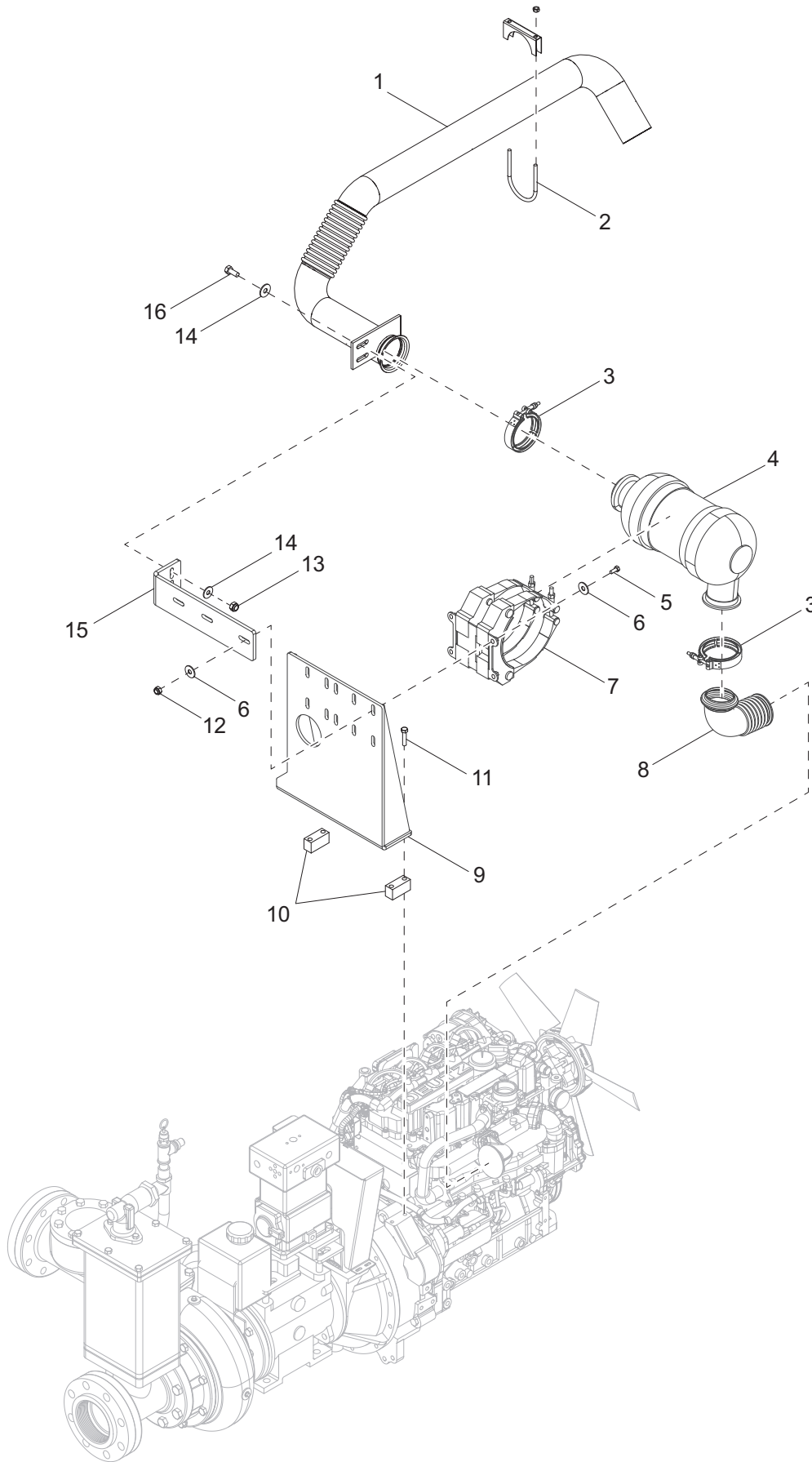
01329

## AIR FILTER ASSEMBLY

---

Item	Part No.	Qty	Description	Notes
1	31477	1	Hose, air filter	
2	19336	1	Clamp, hose - SAE 044 (2.31-3.25)	
3	31476BH	1	Weldment, air inlet tube	
4	18663	2	Clamp, hose - SAE 060 (3.31-4.25)	
5	31473	1	Hose, air filter	
6	22967	1	Filter, air	
7	22874	1	Element, air filter	
8	31462B	1	Bracket, air filter	
9	60028	6	Screw, .312-18 x 1.0 std hex, G5	
10	60303	6	Nut, .312-18 nylock, G2	
11	19338	2	Clamp, hose - SAE 016 (.68-1.50)	
12	51019	1.5 ft	Hose, heater - .875 J20R3	
13	25496	1	Fitting, strt - .750MNPT x 1.0 barb, brass	
14	25110	1	Fitting, 90° street - .750MNPT x .750FNPT	

# EXHAUST SYSTEM ASSEMBLY



02192

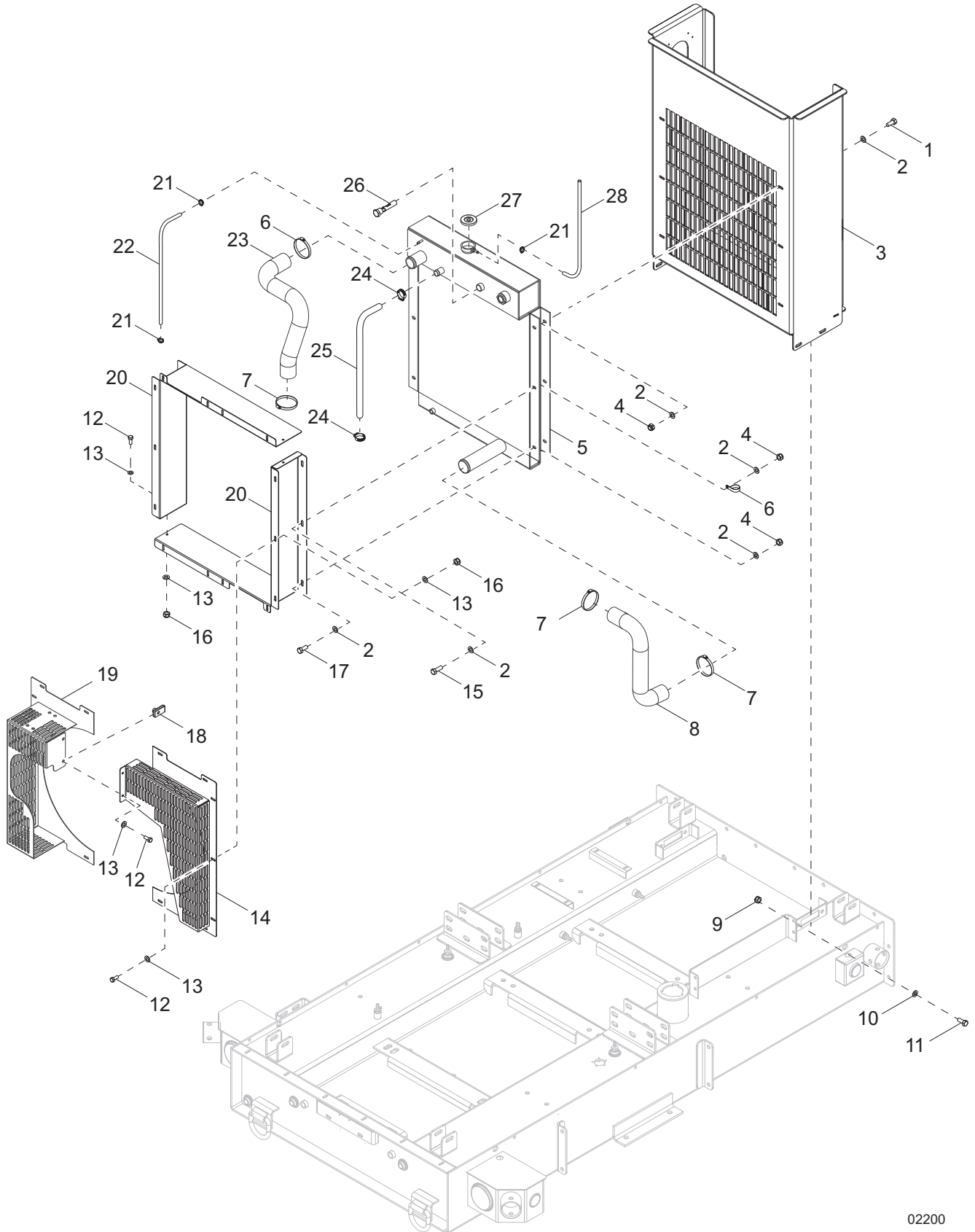


## EXHAUST SYSTEM ASSEMBLY

---

Item	Part No.	Qty	Description	Notes
1	53234	1	Weldment, DOC outlet pipe	
2	61064	1	Clamp, muffler 3.0 light duty	
3	63248	2	Clamp, V-band - 3.88 ID/.40 SC width	
4	31470	1	DOC, Deutz D2.9	
5	60256	5	Screw, .312-18 x 1.50 std hex, fully threaded, G5	
6	60119	10	Washer, .312 flat .875/.070	
7	31471	1	Clamp, DOC	
8	31596	1	Weldment, DOC pipe	
9	31547B	1	Weldment, DOC support	
10	31539B	2	Spacer	
11	60152	4	Screw, M10-1.50 x 60 std hex, G8.8	
12	60303	5	Nut, .312-18 nylock, G2	
13	60358	2	Nut, .375-16 nylock, G5	
14	60386	4	Washer, .375 flat .993/.064	
15	31629B	1	Bracket, tail pipe support	
16	60352	2	Screw, .375-16 x 1.250 std hex, G5	
--	26480	1	Sleeve, high temp - 4.0	
--	19336	2	Clamp, hose - SAE44 (2.31-3.25)	

# COOLING SYSTEM ASSEMBLY



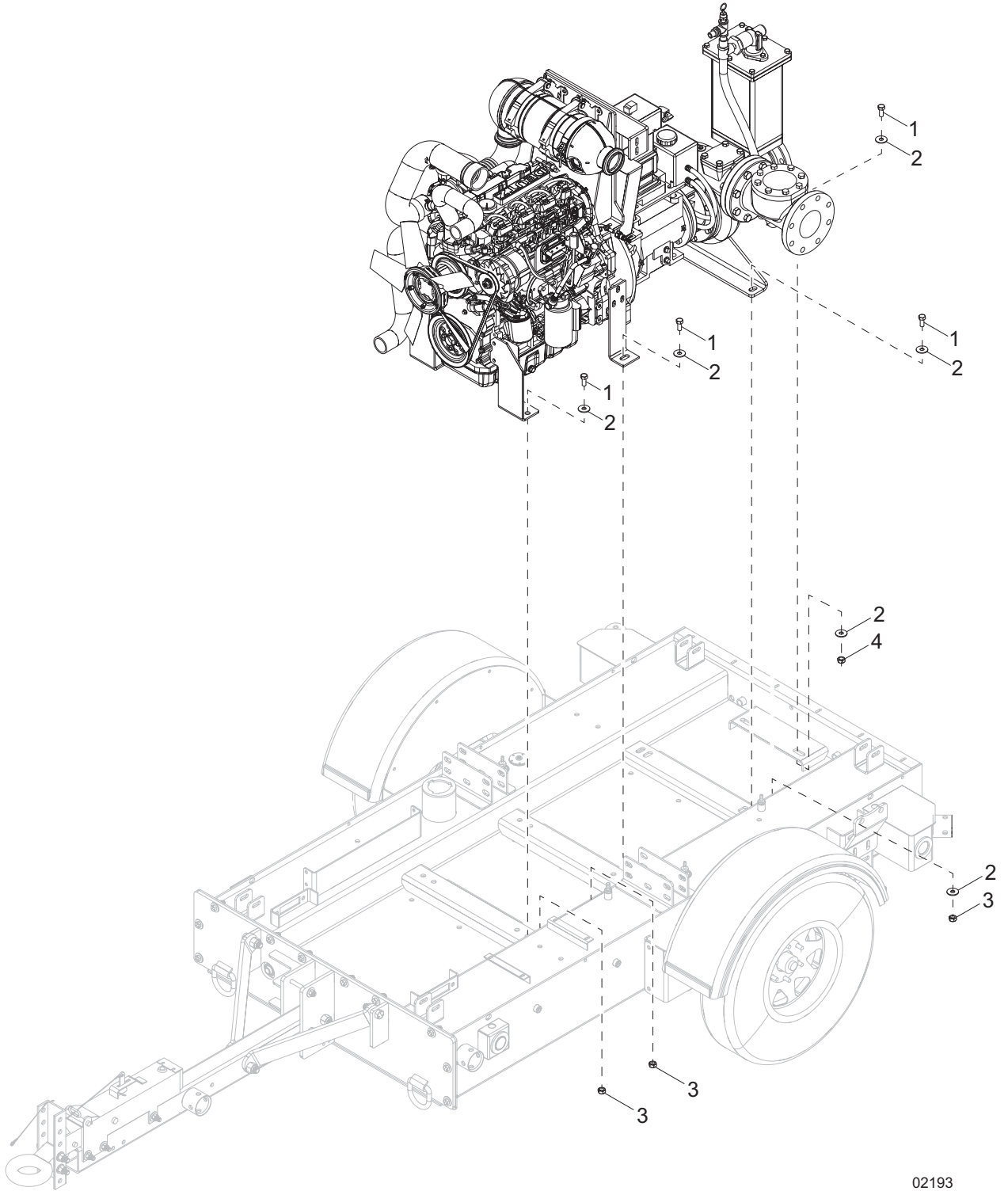
02200

## COOLING SYSTEM ASSEMBLY

---

Item	Part No.	Qty	Description	Notes
1	62001	6	Screw, .312-18 x 1.250 std hex, G5	
2	60119	24	Washer, .312 flat .875/.070	
3	31675B	1	Bracket, radiator support	
4	60303	12	Nut, .312-18 nylock, G2	
5	38321	1	Radiator, w/expansion tank	
6	15627	1	Clamp, tubing - .625 heavy duty	
7	60316	4	Clamp, hose - SAE 032 (1.56-2.50)	
8	31440	1	Hose, radiator - lower	
9	60358	4	Nut, .375-16 nylock, G5	
10	60386	4	Washer, .375 flat .993/.064	
11	60352	8	Screw, .375-16 x 1.250 std hex, G5	
12	60281	18	Screw, .250-20 x .750 std hex, G5	
13	60243	34	Washer, .250 flat .735/.060	
14	31582B	1	Weldment, fan guard - right	
15	60028	1	Screw, .312-18 x 1.00 std hex, G5	
16	60144	16	Nut, .250-20 nylock, G5	
17	61061	5	Screw, .312-18 x .875 std hex, G5	
18	61143	2	Nut, .250-20 U-clip - short type	
19	31581B	1	Weldment, fan guard - left	
20	31561B	2	Shroud, fan	
21	14216	3	Clamp, hose - SAE 004 (.21-.62) mini	
22	50017	1 ft	Hose, fuel - .250 ID, 50 psi, SAE 30R7	
23	31439	1	Hose, radiator - upper	
24	19338	2	Clamp, hose - SAE 016 (.68-1.50)	
25	51019	2 ft	Hose, heater .875 J20R3	
26	68206	1	Sensor, low coolant, wet sinking	
27	39850	1	Cap, radiator	
28	50018	3 ft	Hose, fuel - .312 ID, 50 psi, SAE 30R7	

# ENGINE AND PUMP TO SKID ASSEMBLY



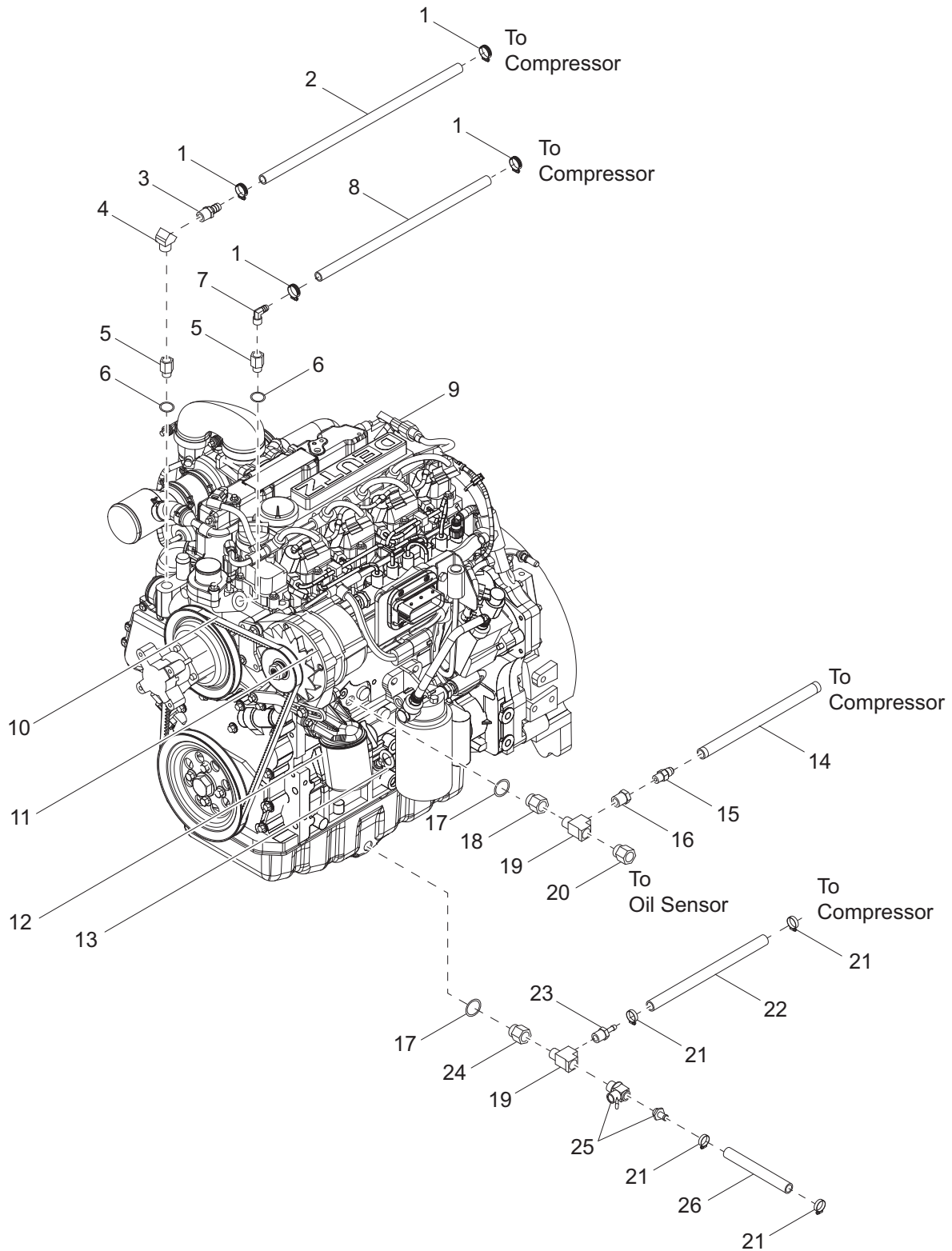
02193

## ENGINE AND PUMP TO SKID ASSEMBLY

---

Item	Part No.	Qty	Description	Notes
1	61069	8	Screw, .500-13 x 1.50 std hex, G5	
2	63265	12	Washer, .500 flat 1.060/.090	
3	60240	8	Nut, .625-11 nylock, G5	

# ENGINE ASSEMBLY - LEFT SIDE



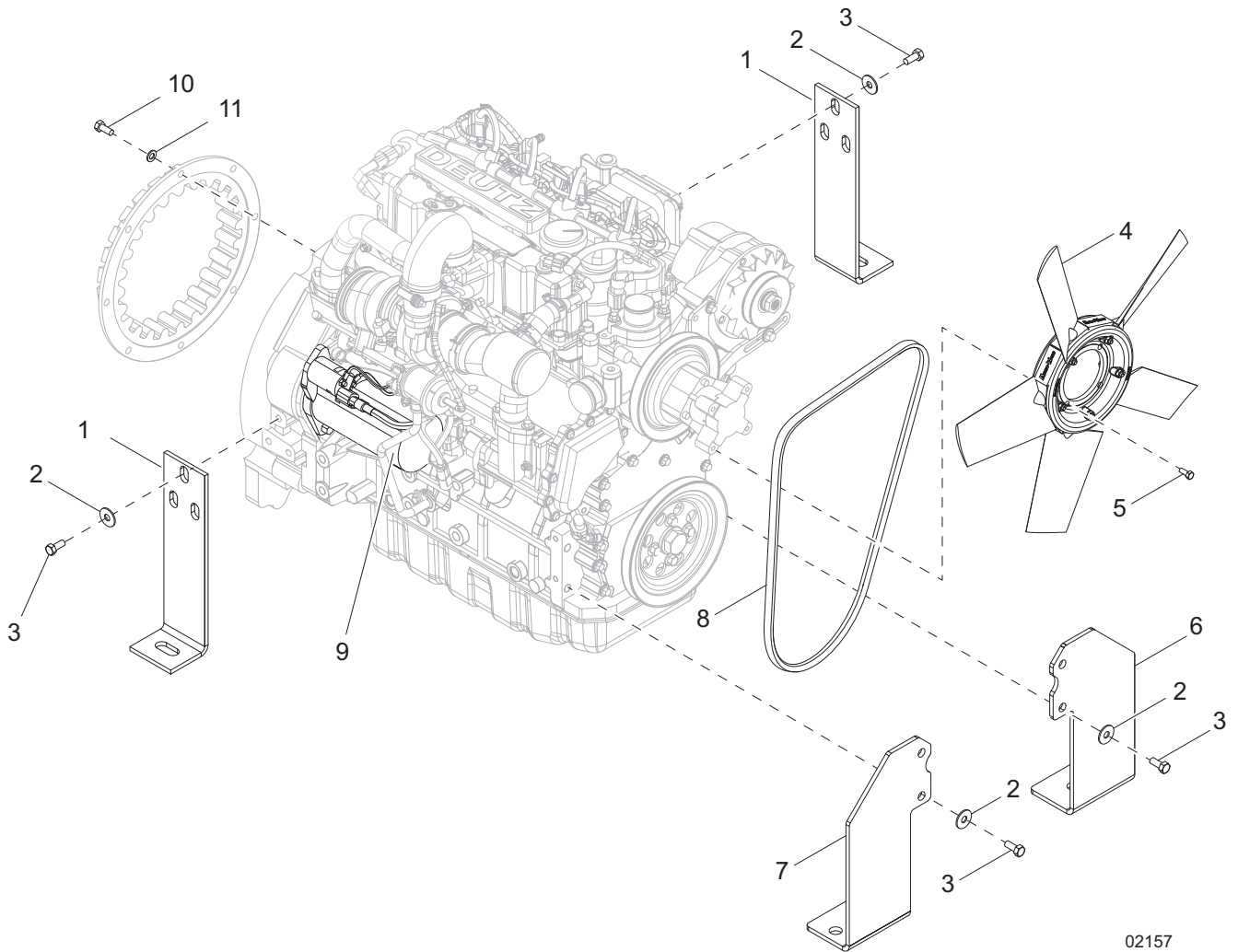
02182

## ENGINE ASSEMBLY - LEFT SIDE

Item	Part No.	Qty	Description	Notes
1	60365	4	Clamp, hose - SAE 010 (.56-1.06)	
2	50201	2.66 ft	Hose, .625 in., 200 psi, class A	
3	60502	1	Fitting, strt - .500MNPT x .625 barb, brass	
4	61040	1	Fitting, 45° - .500MNPT x .500FNPT brass	
5	19307	2	Fitting, strt - .500FNPT x M22 x 1.50	
6	19467	2	Seal, M22	
7	61014	1	Fitting, 90° - .500MNPT x .625 barb, brass	
8	50201	3 ft	Hose, .625 in., 200 psi, class A	
9	31381	1	Engine, Deutz TD2.9 - T4F 66hp, variable speed	
10	52213	1	Belt, fan	
11	52214	1	Alternator	
12	52212	1	Filter, oil	
13	52215	1	Dipstick, oil	
14	41420	1	Hose, oil supply .250 ID x 50.0, 300 psi - .25FJIC	
15	61073	1	Fitting, strt - .125 MNPT x .250MJIC brass	
16	22603	1	Fitting, strt - .375MNPT x .125FNPT brass	
17	63223	2	Seal, M16	
18	33146	1	Fitting, strt - .375FNPT x M16-1.5 male	
19	22602	2	Fitting, T - .375MNPT x FNPT x FNPT brass	
20	31618	1	Fitting, strt - .375MNPT x M16-1.5 female	
21	14216	5	Clamp, hose - SAE 004 (.21-.62) mini	
22	50051	3.75 ft	Hose, fuel - .375 ID, 50 psi, SAE 30R7	
23	25082	1	Fitting, strt - .375MNPT x .375 barb	
24	61033	1	Fitting, strt - .375FNPT x M18 x 1.50 O-ring	
25	37619	1	Valve, drain .375-18NPT	
26	50051	.70 ft	Hose, fuel - .375 ID, 50 psi, SAE 30R7	

**Note:** Engine and pump parts used in all Generac Mobile Products, LLC equipment carry the Original Equipment Manufacturer (OEM) warranty unless otherwise stated. OEM warranty parts must be purchased through an OEM dealer. Please contact Generac Mobile Products, LLC with questions.

# ENGINE ASSEMBLY - RIGHT SIDE



02157



## ENGINE ASSEMBLY - RIGHT SIDE

---

Item	Part No.	Qty	Description	Notes
1	31674B	2	Bracket, engine mount - bell housing, left	
2	60012	10	Washer, M12 flat	
3	62277	10	Screw, M12-1.75 x 25 std hex, G10.9	
4	31410	1	Fan, pusher - 20.0 CW	
5	61204	4	Screw, M8-1.25 x 20 std hex, G10.9	
6	31667B	1	Weldment, engine mount, left	
7	31668B	1	Weldment, engine mount, right	
8	52213	1	Belt, fan	
9	52219	1	Starter	
10	63338	8	Screw, M10 - 1.50 x 20 hex, G10.9	
11	60027	8	Washer, M10 flat	

**Note:** Engine and pump parts used in all Generac Mobile Products, LLC equipment carry the Original Equipment Manufacturer (OEM) warranty unless otherwise stated. OEM warranty parts must be purchased through an OEM dealer. Please contact Generac Mobile Products, LLC with questions



## EXTERNAL PUMP ASSEMBLY

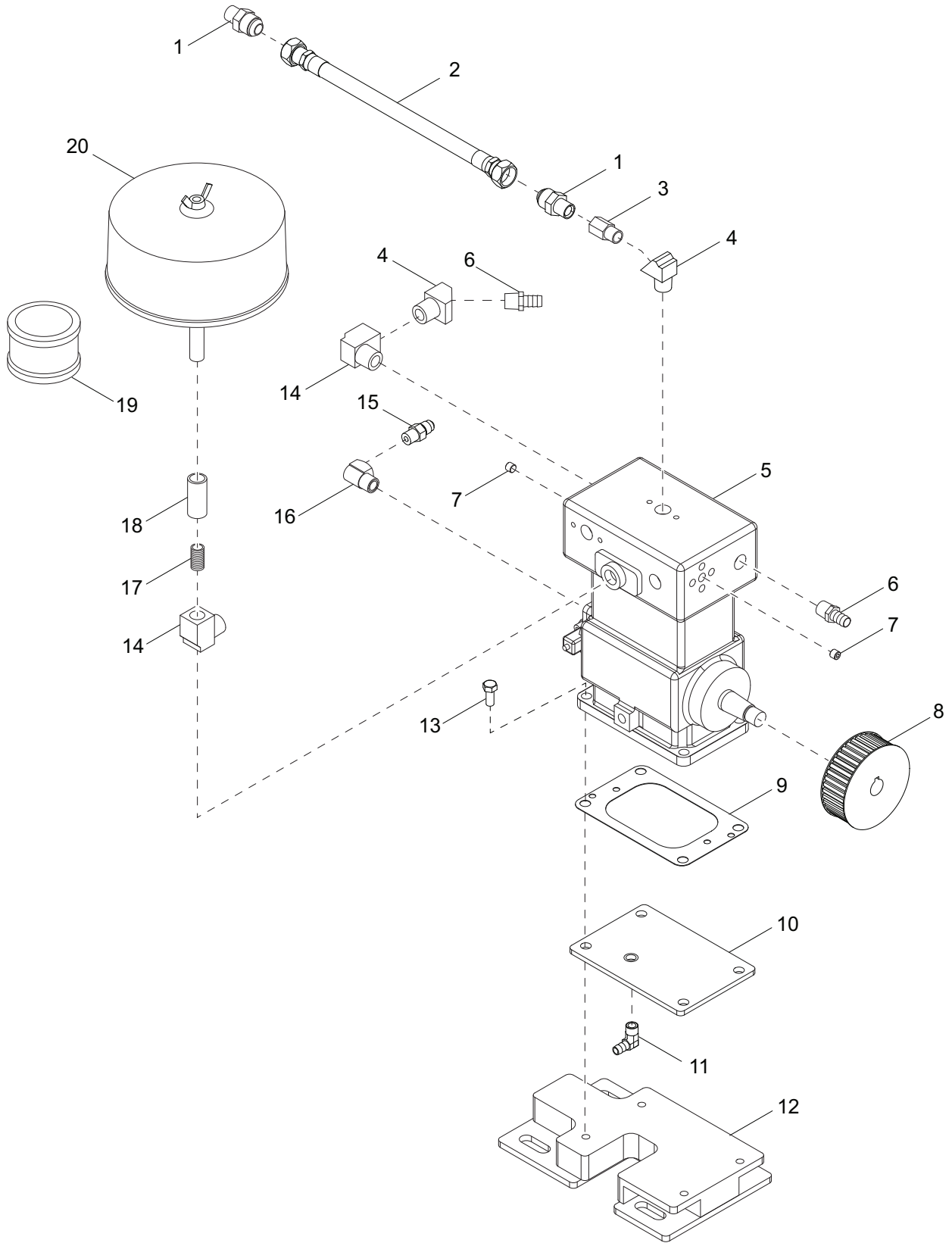
Item	Part No.	Qty	Description	Notes
1	31619B	1	Bracket, oil reservoir	
2	60243	6	Washer, .250 flat .735/.060	
3	60286	4	Washer, .250 split lock	
4	60175	4	Screw, .250-20 x .500 sflg hex, G5	
5	60523	1	Screw, .250-20 x .875 sflg hex	
6	60144	1	Nut, .250-20 nylock, G5	
7	31608B	2	Guard, belt	
8	60170	16	Screw, .625-11 x 2.75 std hex, G5	
9	41305B	2	Flange, 4.00NPT female, ANSI 150 lb	
10	41155	2	Gasket, pump flange - 4.00	
11	61071	24	Nut, .625-11 jam, G5	
12	60055	12	Screw, M10 - 1.50 x 35 std hex, G10.9	
13	60027	12	Washer, M10 flat	
14	33235	1	Belt, compressor	
15	31489	1	Bushing, taper lock - 2012 x 1.75 bore	
16	30498	1	Pulley, driver - 48 tooth	
17	23146	1	Fitting, 90° - .250MNPT x .375 FNPT brass	
18	25922	1	Fitting, pipe nipple - .375 NPT x close brass	
19	19280	1	Valve, ball .375FNPT, mini	
20	25931	1	Fitting, strt - .375NPT x.625 barb, brass	
21	60365	2	Clamp, hose - SAE 010 (.56-1.06)	
22	50201	2.0 ft	Hose, .625 ID	
23	60502	1	Fitting, strt - .500NPT x.625 barb, brass	
24	31594B	1	Bracket, pump support	
25	63186	2	Screw, .500-13 x 1.250 std hex, G5	
26	31383B	1	Pump, trash - 4.00 dry prime, Cornell 8.25 dia	
27	53233B	1	Bracket, pump inlet spool support	
28	50332	4.33 ft	Hose, fuel - .750 ID, 35 psi, SAE 30R7	
29	60365	1	Clamp, hose - SAE 010 (.56-1.06)	
30	49420	1	Gauge, vacuum 0-30 HG, 2.50 dial, .25NPT	
31	31452	4	Stud, .625-11 x 3.00 fully threaded, G5	
32	60521	8	Washer, .625 flat 1.743/.108	

### OPTIONAL FEATURES

#### *Inlet and Outlet Fittings:*

A	41326	1	Socket, 4.0 x 4.0NTP male, galv
B	41328	1	Coupler, cam and groove - 4.0 female x 4.0NPT male
C	41586	1	Coupler, cam and groove - 4.0 male x 4.0NPT male
D	41584B	1	Weldment, pump fitting - 4.0NPT, 45° male/female
E	41324	1	Ball and lock ring, 4.0 x 4.0NTP male galv.

# PUMP AIR COMPRESSOR ASSEMBLY



01519

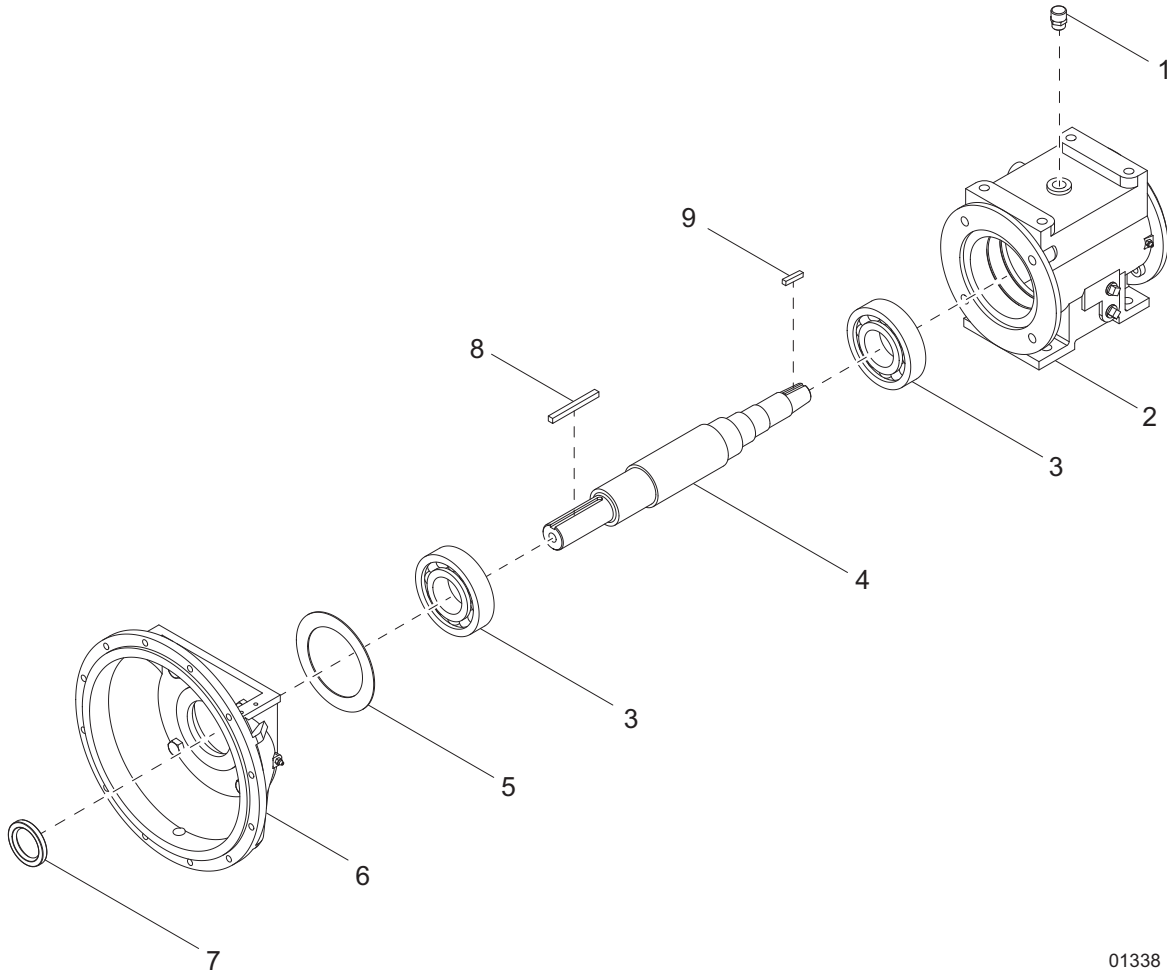
## PUMP AIR COMPRESSOR ASSEMBLY

---

Item	Part No.	Qty	Description	Notes
1	63181	2	Fitting, strt - .500MNPT x .750, 37° JIC	
2	31658	1	Assembly, hose .750 braided x 15.50 in	
3	31657	1	Valve, check	
4	61040	2	Fitting, 45° - .500MNPT x .500FNPT brass	
5	49267	1	Compressor, air - Bendix	
6	60502	2	Fitting, strt - .500MNPT x .625 barb, brass	
7	63115	2	Fitting, plug - .125NPT x flush mount	
8	30497	1	Pulley, driven - 40 tooth	
9	49421	1	Gasket, compressor base	
10	32703B	1	Bracket, compressor base	
11	20645	1	Fitting, 90° - .250NPT x .375 barb, brass	
12	31445B	1	Weldment, compressor mount	
13	63283	4	Screw, .438-14 x 1.50 std hex, G5	
14	60998	2	Fitting, 90° - .500MNPT x .500FNPT brass	
15	61073	1	Fitting, strt - .125MNPT x .250MJIC brass	
16	60734	1	Fitting, 90° - .125MNPT x .125FNPT brass	
17	21437	1	Fitting, strt - .500NPT coupler x 1.50	
18	60438	1	Fitting, pipe nipple - .500NPT x close	
19	31631	1	Element, air cleaner	
20	31630	1	Air cleaner - .500NPT	

# BEARING FRAME ASSEMBLY

---



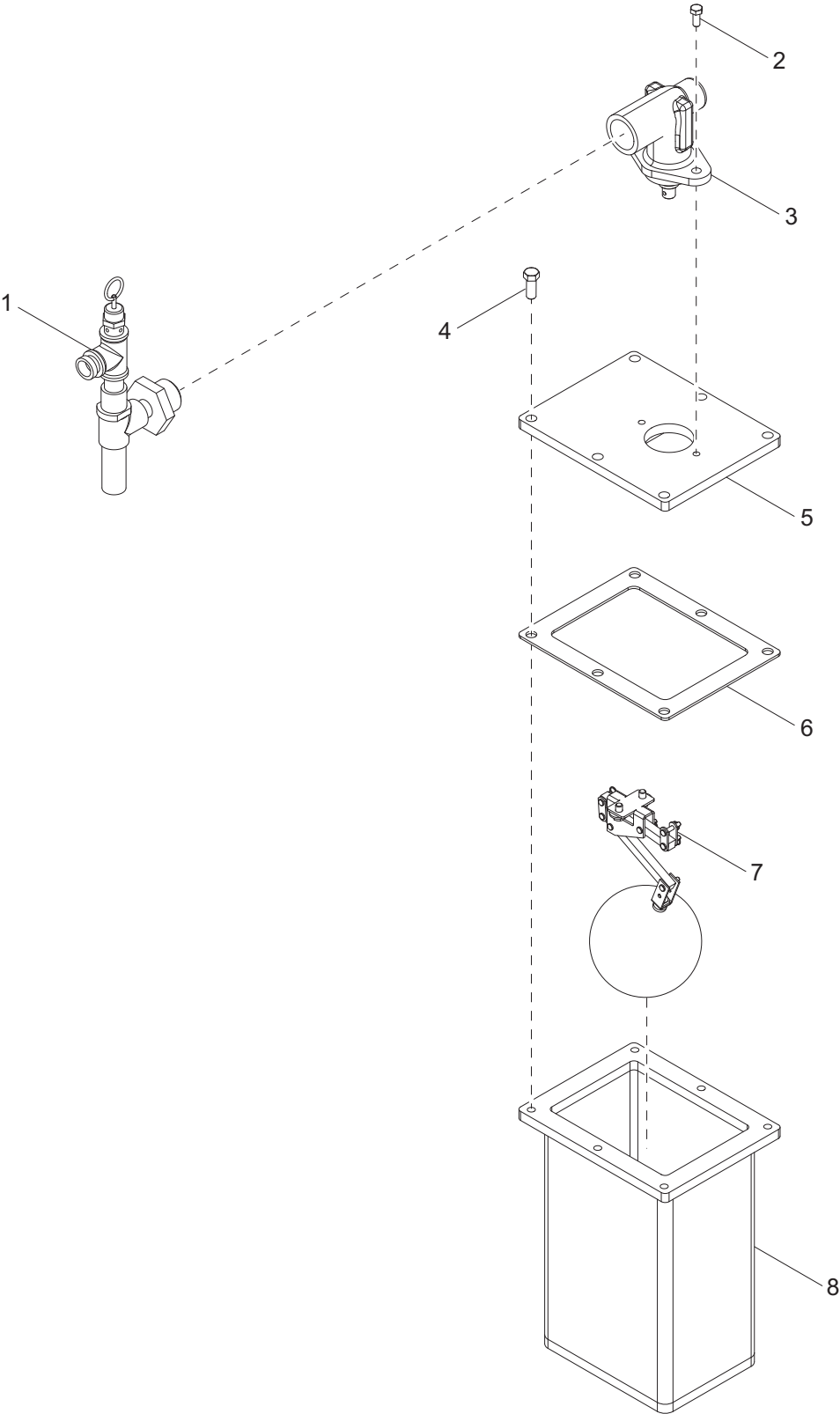
01338

## BEARING FRAME ASSEMBLY

---

Item	Part No.	Qty	Description	Notes
1	52034	1	Breather, .500NPT	
2	52032	1	Frame, pump	
3	52037	2	Bearing, 16B	
4	52036	1	Shaft, F85 frame	
5	52041	1	Shim, .010	as needed
--	52142	1	Shim, .005	as needed
6	52043	1	Bracket, engine - SAE #4	
7	52038	1	Seal, lip	
8	52104	1	Key, drive end .380 x 4.0	
9	52025	1	Key, impeller .310 x 1.38	

# PRIMING CHAMBER ASSEMBLY



01339

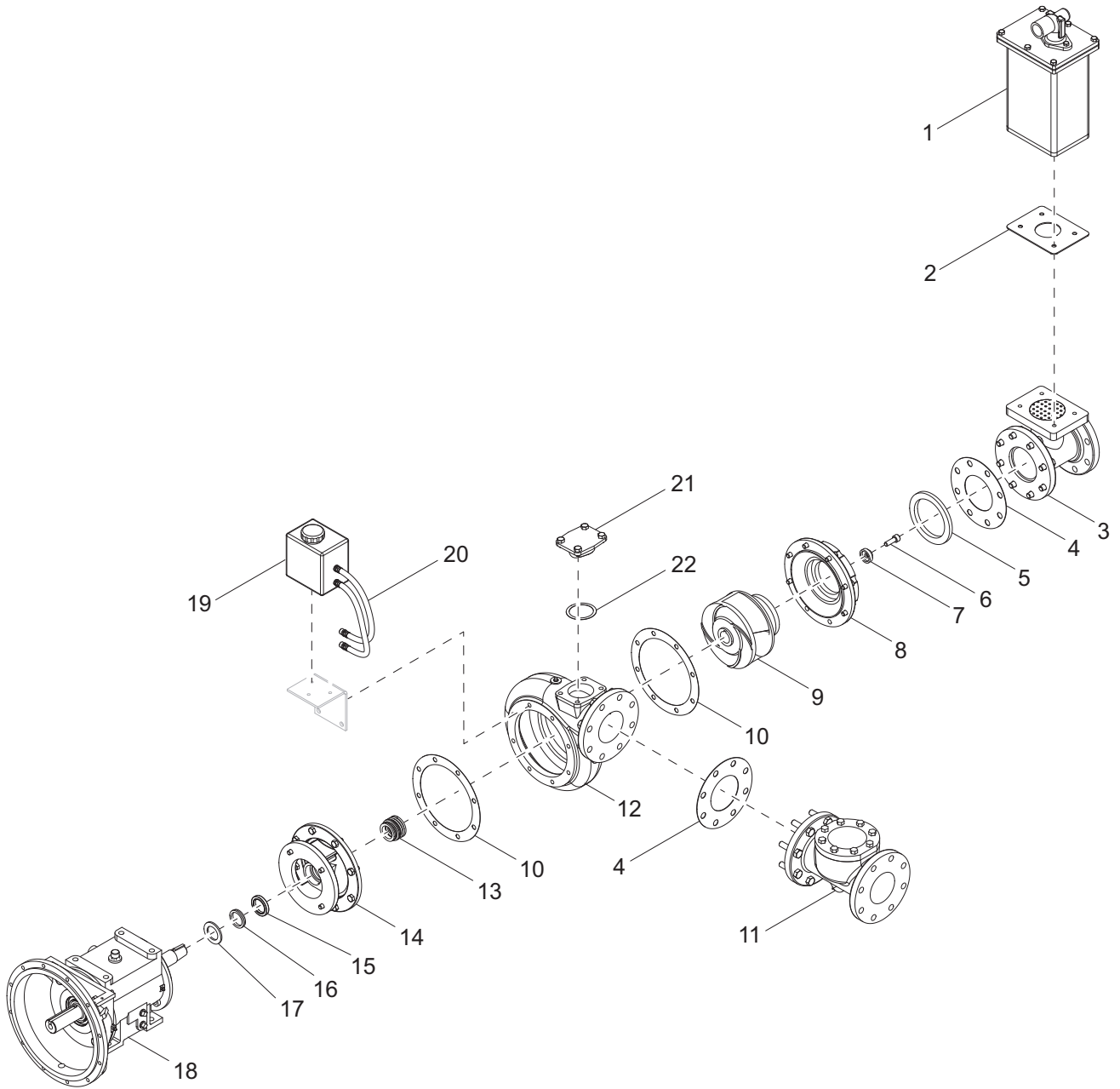


## PRIMING CHAMBER ASSEMBLY

---

Item	Part No.	Qty	Description	Notes
1	52195	1	Fitting, priming	
2	52167	2	Capscrew, hex .31NC x .50	
3	31656	1	Valve, priming chamber	
4	52178	6	Screw, .440 x 1.25 std hex, SS	
5	52163	1	Cover, priming chamber	
6	52177	1	Gasket, priming chamber - upper	
7	52165	1	Assembly, float linkage	
8	52180	1	Priming chamber	
--	52162	1	Assembly, priming chamber	

# INTERNAL PUMP ASSEMBLY



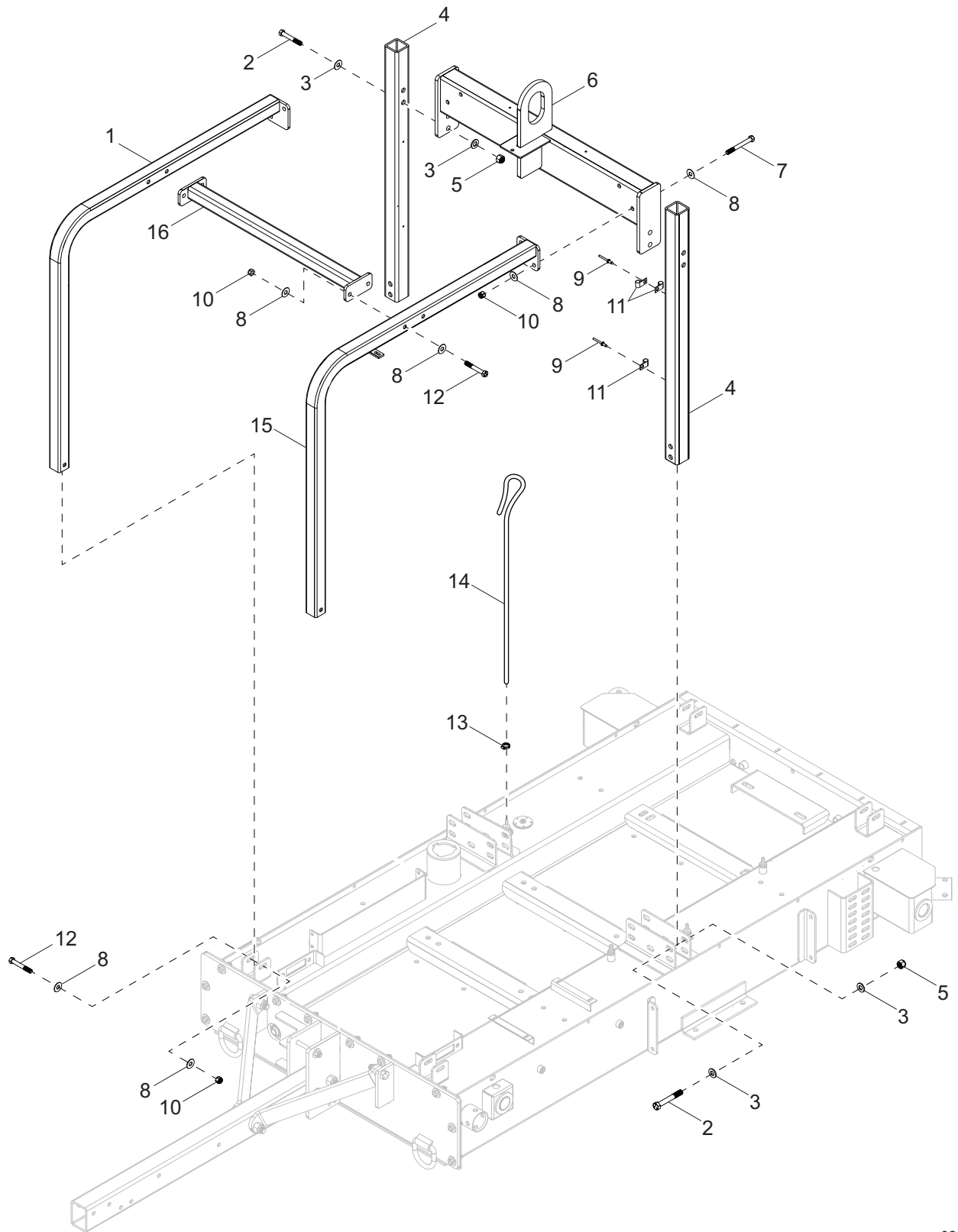
01340

## INTERNAL PUMP ASSEMBLY

---

Item	Part No.	Qty	Description	Notes
1	<a href="#">Page 26</a>	1	Assembly, priming chamber	
2	52077	1	Gasket, priming chamber - lower	
3	52091	1	Spool, RP 4 x 4 fab, mini	
4	52092	2	Gasket, 4 in. full face	
5	52011	1	Ring, wear - 4NNTL (open)	
6	52024	1	Lock screw, .50NC x 1.50 socket head	
7	52023	1	Washer, impeller, 4NNTL	
8	52012	1	Cover, suction 4NNTL-1 w/O-ring	
9	52022	1	Impeller, 4NNTL-3R w/back vanes	
10	52021	2	Gasket, volute	
11	52094	1	Valve, no.504 - 4.0 x 4.0	
12	52016	1	Volute, 4NNTL-2 w/clean out	
13	52028	1	Seal, 1622S RP	
14	52026	1	Bracket, backplate, 4NNTL-38	
15	52030	1	Seal, lip - 1.75 x 2.50 x .375	
16	52031	1	V-ring	
17	52039	1	Seal, lip	
18	<a href="#">Page 24</a>	1	Assembly, bearing frame	
19	52049	1	Reservoir, run-dry w/cap	
20	52159	2	Hose, .38 ID	
21	52017	1	Cover, clean out	
22	52018	1	Deflector	

# LIFT SUPPORT ASSEMBLY



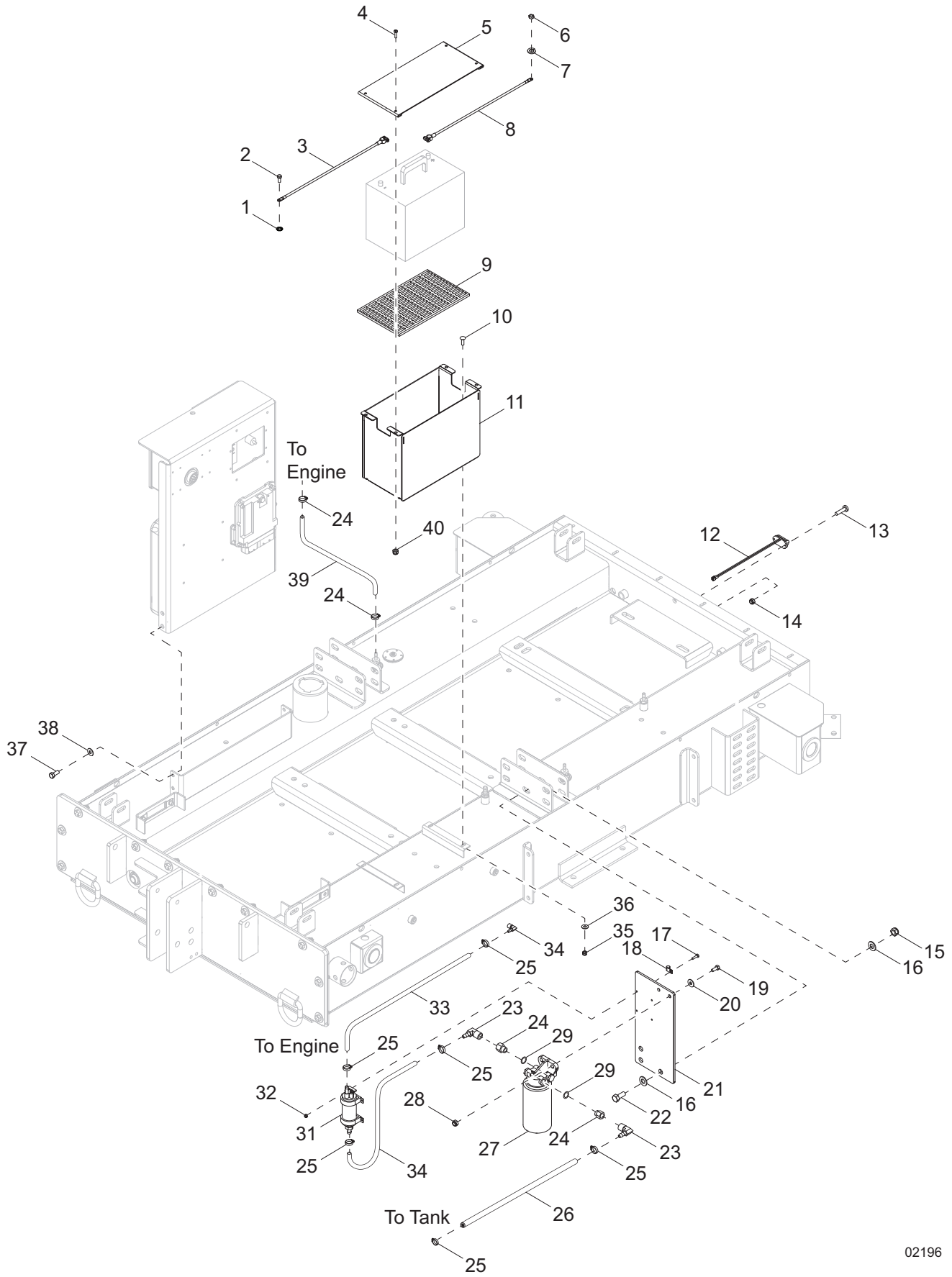
02159

## LIFT SUPPORT ASSEMBLY

---

Item	Part No.	Qty	Description	Notes
1	31688B	1	Weldment, radiator guard RH	
2	42775	8	Screw, .625-11 x 4.50 hex, G5	
3	63265	16	Washer, .625 flat 1.312/.07-.13	
4	31682B	2	Tube, lift	
5	60240	4	Nut, .625-11 nylock, G5	
6	31686B	1	Weldment, lift support	
7	60376	4	Screw, .500-13 x 4.50 hex, G5	
8	60309	20	Washer, .500 flat 1.060/.090	
9	60195	4	Rivet, .188 dia. x .375 to .500 grip	
10	62221	10	Nut, .500-13 nylock, G5	
11	15627	6	Clamp, tubing - .625 heavy duty	
12	60390	6	Screw, .500-13 x 3.50 hex, G5	
13	14216	2	Clamp, hose - SAE 004 (.21-.62) mini	
14	50343	3.16 ft	Hose, .312ID x .562OD, 60PSI	
15	36322B	1	Weldment, radiator guard LH	
16	31690B	1	Weldment, radiator guard, front	

# FUEL TANK / TRAILER ASSEMBLY (3 OF 3)

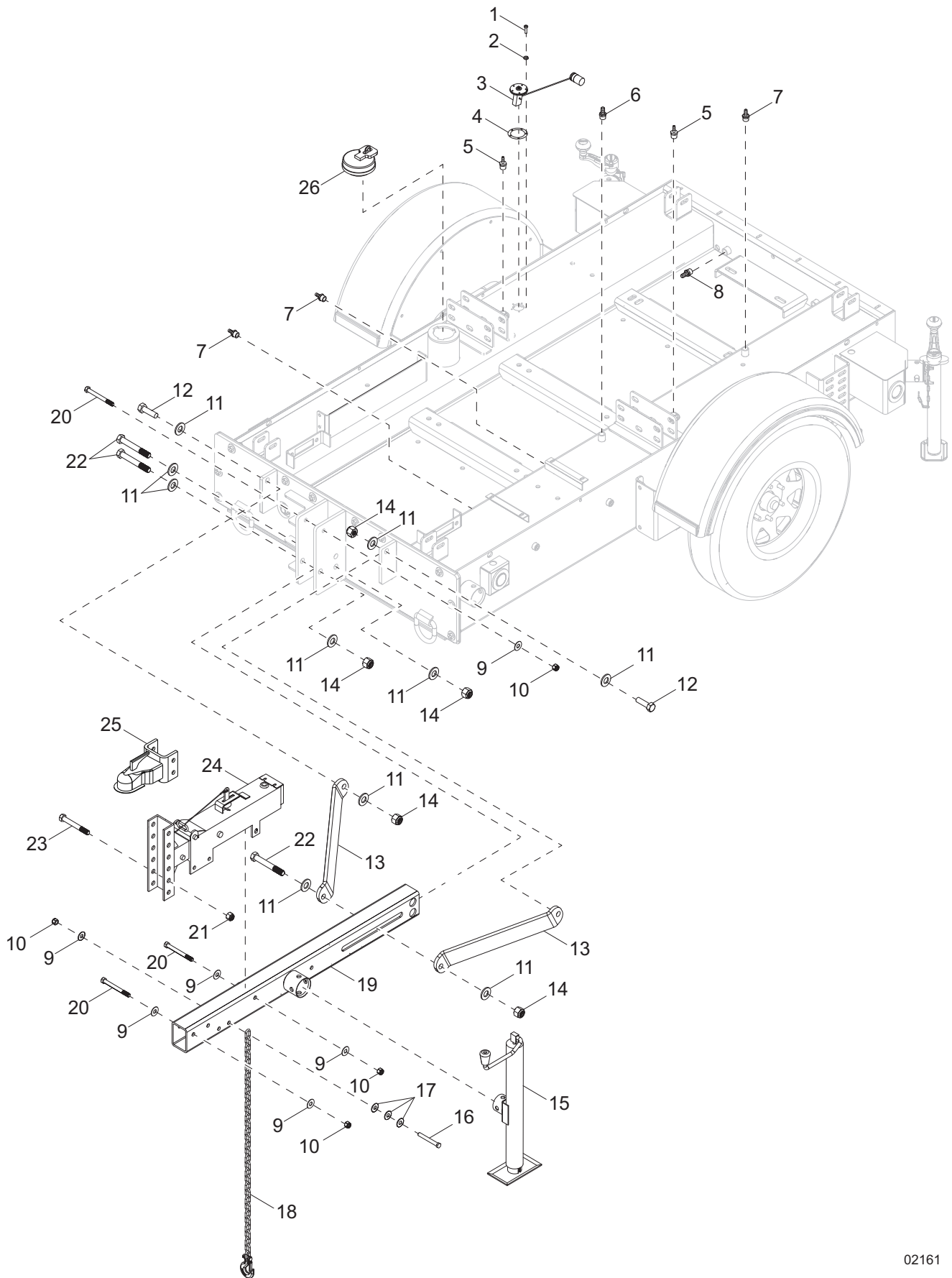


02196

## FUEL TANK / TRAILER ASSEMBLY (3 OF 3)

Item	Part No.	Qty	Description	Notes
1	60369	1	Washer, M12 external star	
2	60019	1	Screw, M12-1.75 x 20 sflg hex, G8.8	
3	31625	1	Cable, battery - 46.0 in, 2GA black post/.500 lug	
4	60393	4	Screw, .250-20 x 1.0 hex, G5	
5	52976B	1	Cover, battery box	
6	60032	1	Nut, M8-1.25 hex, G8.8	
7	60271	1	Washer, .312 split lock	
8	24777	1	Cable, batter - 54.0 in, 2GA red w/lead -.375 lug	
9	41185	1	Pad, battery - 6.0 x 10.0 black	
10	61066	4	Screw, .312-18 x 1.0 carriage, SS	
11	52975B	1	Box, battery	
12	36879	1	Light, license plate	
13	60244	2	Screw, 8-32 x .750 pan phil, G2	
14	60270	2	Nut, 8-32 nylock, G6	
15	60240	3	Nut, .625-11 nylock, G5	
16	63265	6	Washer, .625 flat 1.312/.07-.13	
17	60397	4	Screw, 10-32 x 1.0 pan phil, G2	
18	60649	1	Clamp, tubing .750 heavy duty	
19	60139	2	Screw, .375-16 nylock, G5	
20	60698	2	Washer, .375 flat .875/.040, SS	
21	52960B	1	Bracket, fuel filter/pump	
22	61069	3	Screw, .625-11 x 1.750 hex, G5	
23	62108	2	Fitting, 90° - .375MNPT x .375 barb, brass	
24	33146	2	Fitting, strt - .375FNPT x M16-1.5 male	
25	19453	8	Clamp, hose - SAE006 (.37-.87)	
26	51022	3.1 ft	Hose, fuel - .500ID, 125 PSI	
27	52216	1	Pre-filter, fuel	
28	60358	2	Nut, .375-16 nylock, G5	
29	63233	2	Seal, M16	
30	51022	1.5 ft	Hose, fuel - .500 ID, 125 PSI	
31	31451	1	Pump, fuel	
32	60061	4	Nut, 10-32 nylock	
33	51021	1.5	Hose, fuel - .375 ID, 125 PSI	
34	62145	1	Fitting, 90° - .375MNPT x .375 barb, brass	
35	60303	4	Nut, .312-18 nylock, G2	
36	60119	4	Washer, .312 flat .875/.070	
37	60205	4	Screw, .375-16 x 1.0 hex, G5	
38	60386	4	Washer, .375 flat .993/.064	
39	51021	3.2 ft	Hose, fuel - .375 ID, 125 PSI	
40	60144	4	Nut, .250-20 nylock, G5	

# FUEL TANK / TRAILER ASSEMBLY (2 OF 3)



02161

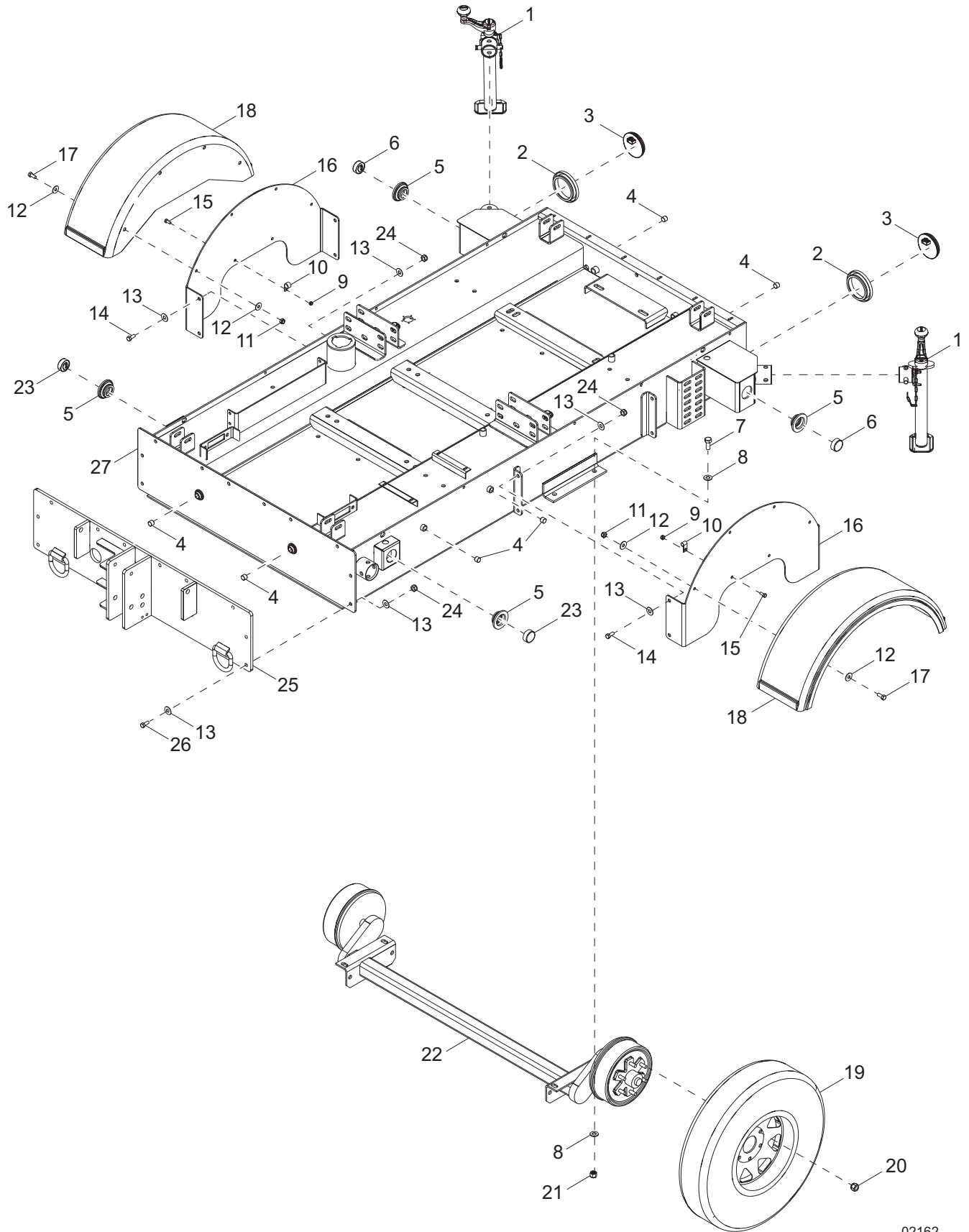


## FUEL TANK / TRAILER ASSEMBLY (2 OF 3)

---

Item	Part No.	Qty	Description	Notes
1	60156	5	Screw, M5-0.80 x 16 pan phil, G4.8	
2	60252	5	Washer, #10 split lock	
3	20571	1	Sender, fuel - 10-15 in tank	
4	22323	1	Gasket, fuel sending unit	
5	60999	2	Fitting, strt - .500MNPT x .312 barb, brass	
6	40728	1	Fitting, strt - .500MNPT x .500 barb, brass	
7	23816	3	Fitting, strt - .500MNPT x .375 barb, brass	
8	60502	2	Fitting, strt - .500MNPT x .625 barb, brass	
9	60309	26	Washer, .500 flat 1.060/.090	
10	62221	12	Nut, .500-13 nylock, G5	
11	60527	12	Washer, .750 flat 1.50/.125	
12	60846	2	Screw, .750-10 x 2.50 hex, G5	
13	31524B	2	Support, tongue	
14	60584	6	Nut, .750-10 nylock, G5	
15	13051	1	Assembly, 2000 lb top wind jack - tube mount	
16	60376	2	Screw, .500-13 x 4.50 hex, G5	
17	60416	10	Washer, .500 flat 1.375/.090, SS	
18	23367	2	Chain, safety - 7,800 lbs rated	
19	53545B	1	Weldment, tongue	
20	61099	3	Screw, .500-15 x 5.0 hex, G8	
21	60240	2	Nut, .625-11 nylock, G5	
22	53157	4	Screw, .750-10 x 5.0 hex, G8	
23	60239	2	Screw, .625-11 x 5.0 std hex, G5	
24	40529	1	Actuator, hydraulic surge brake	
25	19518	1	Coupler, 2.0 ball	
26	23707	1	Cap, fuel	

# FUEL TANK / TRAILER ASSEMBLY (1 OF 3)



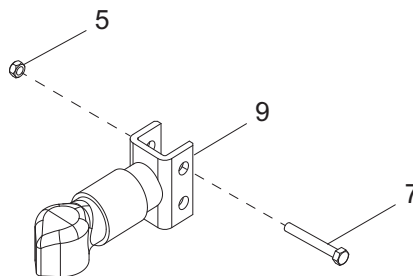
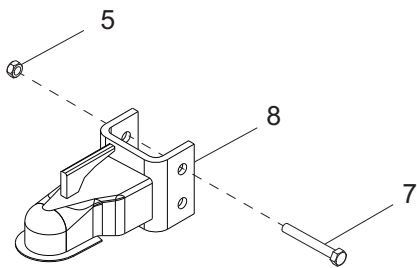
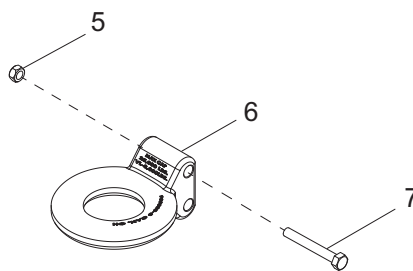
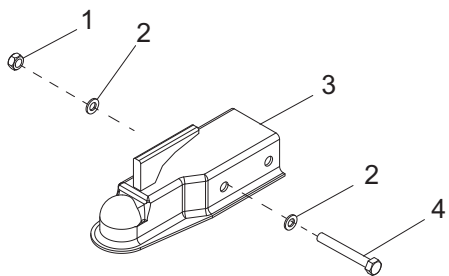
02162

## FUEL TANK / TRAILER ASSEMBLY (1 OF 3)

Item	Part No.	Qty	Description	Notes
1	72126	2	Jack, top wind, 1200 lb - tube mount, long foot	
2	10221	2	Grommet, rear light 4.50 - rubber	
3	66701	2	Light, stop/tail/turn, RD4.0 - LED, 12V	
4	18394	6	Fitting, plug - .500NPT x internal hex, steel	Front & rear with enclosure only
5	66394	4	Grommet, sealed beam light 2.0 - rubber	
6	66703	2	Light, clearance 2.0, red - LED	
7	61069	4	Screw, .625-11 x 1.750 hex, G5	
8	60180	8	Washer, .625 flat 1.750/.10-.16, USS	
9	60144	4	Nut, .250-20 nylock, G5	
10	15626	4	Clamp, tubing - .375 light duty	
11	60358	8	Nut, .375-16 nylock, G5	
12	60386	16	Washer, .375 flat .993/.064	
13	60309	36	Washer, .500 flat 1.060/.090	
14	60388	8	Screw, .500-13 x 1.50 hex, G5	
15	60684	4	Screw, .250-20 x .875 hex, SS	
16	52951B	2	Bracket, fender mounting	
17	60352	8	Screw, .375-16 x 1.250 hex, G5	
18	11381	2	Fender, plastic	
19	18377B	2	Wheel, ST225/75R15, 2540 lb - load D, black	
20	60096	12	Nut, .500-20 lug, G5	
21	60240	4	Nut, .625-11 nylock, G5	
22	31428	1	Axle, 6000 lb Torflex - hydraulic brake	
23	66702	2	Light, clearance 2.0, amber - LED	
24	62221	18	Nut, .500-13 x 1.50 hex, G5	
25	31695B	1	Weldment, tongue support	
26	60484	10	Screw, .500-13 x 2.0 hex, G5	
27	31670B	1	Weldment, chassis/fuel tank	
--	54017	1	Harness, trailer lights	
--	60281	1	Screw, .250-20 x .750 hex, G5	use with 54017
--	60144	1	Nut, .250-20 nylock, G5	use with 54017
--	60747	1	Washer .375 internal star	use with 54017
--	65465	1	Adapter, trailer wiring, flat 4 to round 7 blade	
--	67856	1	Harness, trailer extension assembly	

# TRAILER HITCH OPTIONS

---



02163

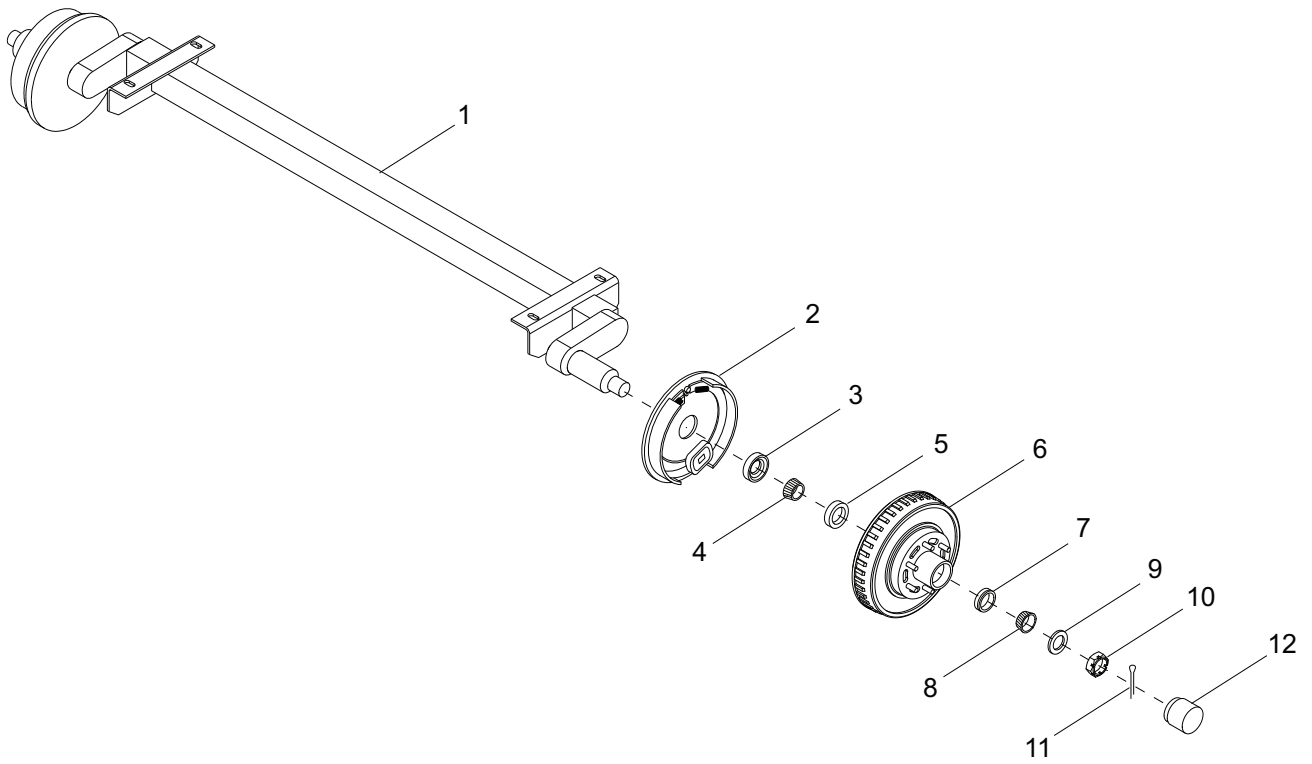
## TRAILER HITCH OPTIONS

---

Item	Part No.	Qty	Description	Notes
1	62221	3	Nut, .500-13 nylock, G5	
2	60309	6	Washer, .500 flat 1.060/.090	
3	23162	1	Coupler, 2.0 ball/3.0 channel - 5000 lb	
4	61099	3	Screw, .500-13 x 5.0 std hex, G8	
5	60240	2	Nut, .625-11 nylock, G5	
6	19335B	1	Coupler, lunette ring - 3.0 ID	
7	60239	2	Screw, .625-11 x 5.0 std hex, G5	
8	19519	1	Coupler, 2.31 ball	
9	41795	1	Coupler, 2.31 ball - 12500 lb, Bulldog	
--	65593	1	Adapter, trailer - 4 pin and 2 pin to 6 pin	Electric Brake
--	65583	1	Adapter, trailer - round 6 pin to round 7 spade	Electric Brake
--	65463	1	Adapter, trailer - flat 4 pin to round 6 pin	Surge Brake
--	65464	1	Adapter, trailer - flat 4 pin to round 7 pin	Surge Brake
--	65465	1	Adapter, trailer - flat 4 pin to round 7 spade	Surge Brake

# AXLE ASSEMBLY

---



00259

## AXLE ASSEMBLY

---

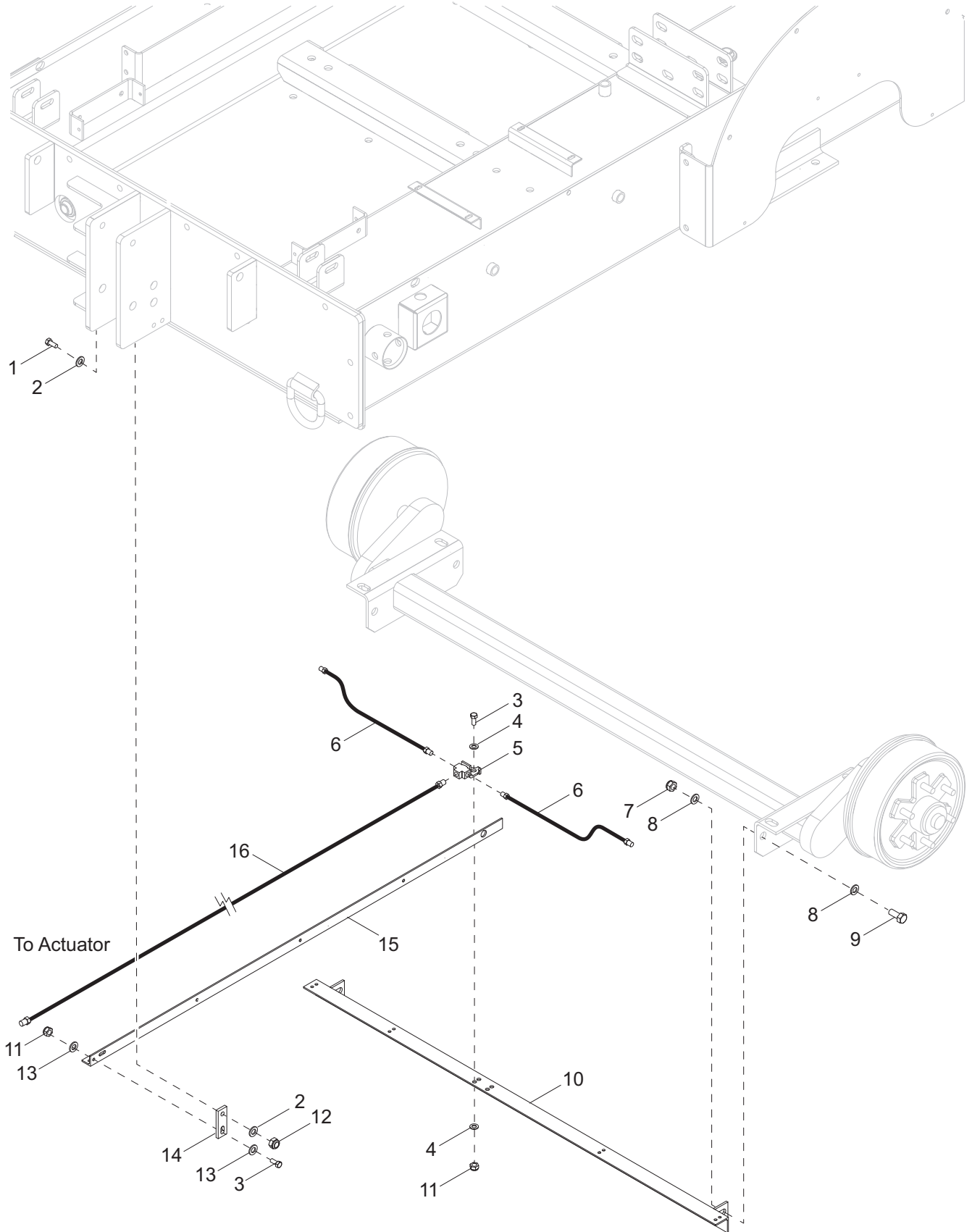
Item	Part No.	Qty	Description	Notes
1	31428	1	Axle, 6000 lb. - Torflex	Hydraulic
2	26571	1	Surge free-backing brake - left	
	26572	1	Surge free-backing brake - right	
3	26575	2	Inner grease seal 2.125 in	
4	26576	2	Inner hub bearing	
5	26577	2	Inner bearing cup	
6	22387	2	Drum, large trailer brake	6000 lb axle
7	26584	2	Outer bearing cup	
8	26585	2	Outer hub bearing	
9	26581	2	Spindle washer	
10	12308	2	Spindle nut	
11	26583	2	Spindle nut - cotter pin	
12	26586	2	Dust cap	

### OPTIONAL FEATURES

#### *Axle - Electric Brake:*

--	54304	1	Axle, 6000 lb. - Torflex	Electric
--	26573	1	Assembly, electric brake - left	
--	26574	1	Assembly, electric brake - right	

# TRAILER BRAKE LINES



02164



## TRAILER BRAKE LINES

---

Item	Part No.	Qty	Description	Notes
1	60831	1	Screw, .375-16 x 1.50 hex, SS	
2	60698	2	Washer, .375 flat .875/.040, SS	
3	60684	2	Screw, .250-20 x .875 hex, SS	
4	60340	2	Washer, .312 flat .875/.040, SS	
5	19252	1	Fitting, strt .188 brake line T - w/bracket - female	
6	40819	2	Hose, brake .188 x 60.0 male/male	
7	62221	2	Nut, .500-13 nylock, G5	
8	60416	4	Washer, .500 flat .375/.090	
9	61103	2	Screw, .500-13 x 1.750 sflg	
10	54107B	1	Weldment, brake line support - axle end	
11	60144	1	Nut, .250-20 nylock, G5	
12	60358	1	Nut, .375-16 nylock, G5	
13	60166	2	Washer, M8 flat	
14	54103B	1	Bracket, brake line support	
15	54105B	1	Angle, center brake line support	
16	23250	1	Hose, brake .188 x 94.0 male/male	
--	15626	2	Clamp, tubing - .375 lt duty	
--	60231	2	Rivet, .188 dia x .375 to .500 grip	

## RECOMMENDED SPARE PARTS LIST

---

### ENGINE

Alternator, engine.....	52214
Belt, fan .....	52213
Cap, filler .....	52225
Cap, radiator.....	39850
Dipstick, .....	52215
Element, air filter .....	22874
Fan, pusher .....	31410
Filter, fuel.....	52217
Filter, oil .....	52212
Hose, radiator - lower .....	31440
Hose, radiator - upper.....	31439
Pre-filter, fuel .....	52216
Pump, fuel .....	31451
Sensor, temp, valve cover .....	52220
Sensor, temp .....	52221
Sensor, low coolant .....	68206
Sensor, oil pressure, valve cover.....	52224
Sensor, oil pressure .....	52223
Starter, engine .....	52219

### PUMP

Belt, timing - compressor.....	33235
Compressor, air .....	49267
Element, compressor air cleaner.....	31631
Gasket, compressor .....	49421
Impeller.....	52022
Mechanical seal.....	52028
Wear Ring.....	52011

### ELECTRICAL

Controller, LOFA 750 .....	54306
E-stop switch .....	65470
E-stop contact NO/NO .....	65584
Glow relay.....	66455

### TRAILER

Cap, fuel fill.....	23707
Jack, side wind (rear) .....	41133
Jack, top wind (tongue) .....	13051

### MAINTENANCE KITS

500 hr maintenance kit .....	SKM0005
2000 hr maintenance kit .....	SKM0008



