



Submersible Dewatering Pumps

1/3 to 3/4 Horsepower



DESCRIPTION

Gorman-Rupp SE Series electric submersible dewatering pumps are designed for applications where solids are not a concern – whether it is a flooded basement, a pool, spa, pond, pit, or anywhere else the pump can be lowered into the water. Built with threaded discharge connections, they are available with optional wide angle (W) or vertical (V) integral level controls for automatic on/off operation.

PUMP SPECIFICATIONS

SE1 1/2E3–E.5 115/1 W SHOWN

Basic Construction: Gray Iron and Plastic.

Motor Speed: 3450 RPM.

Power Cable Length: 10 ft. (3,0 m).

Thermal Overload Protected.

Seal: Mechanical Oil Lubricated. Carbon/Ceramic Faces with Buna-N Elastomers.

Maximum Temperature of Liquid Pumped 104°F (40°C).

CSA-C/US-Listed.

Built-in Carry Handle and Strainer.



SPECIFICATIONS

Model	Ship Wt. (Approx.)	Disch. (NPT)	Max. Solids	Description	VAC/Phase	H.P.	Hz	Amps
SE1 1/2D3–E.3 115/1	13.5 lbs. 6,1 kg.	1-1/2"	1/4" (6mm)	Standard Submersible.	115/1	.3	60	3.5
SE1 1/2D3–E.3 115/1 W	15 lbs. 6,8 kg.	1-1/2"	1/4" (6mm)	Submersible ^w /Wide Angle Float.	115/1	.3	60	3.5
SE1 1/2D3–E.3 115/1 V	15 lbs. 6,8 kg.	1-1/2"	1/4" (6mm)	Submersible ^w /Vertical Float.	115/1	.3	60	3.5
SE1 1/2E3–E.5 115/1	16.5 lbs. 7,5 kg.	1-1/2"	3/4" (19mm)	Standard Submersible.	115/1	.5	60	7.5
SE1 1/2E3–E.5 115/1 W	16.5 lbs. 7,5 kg.	1-1/2"	3/4" (19mm)	Submersible ^w /Wide Angle Float.	115/1	.5	60	7.5
SE1 1/2E3–E.5 115/1 V	16.5 lbs. 7,5 kg.	1-1/2"	3/4" (19mm)	Submersible ^w /Vertical Float.	115/1	.5	60	7.5
SE2M3–E.75 115/1	20 lbs. 9,1 kg.	2"	1/4" (6mm)	Standard Submersible.	115/1	.75	60	8.0
SE2M3–E.75 115/1 W	20 lbs. 9,1 kg.	2"	1/4" (6mm)	Submersible ^w /Wide Angle Float.	115/1	.75	60	8.0
SE2M3–E.75 115/1 V	20 lbs. 9,1 kg.	2"	1/4" (6mm)	Submersible ^w /Vertical Float.	115/1	.75	60	8.0



GORMAN-RUPP PUMPS

www.grpumps.com

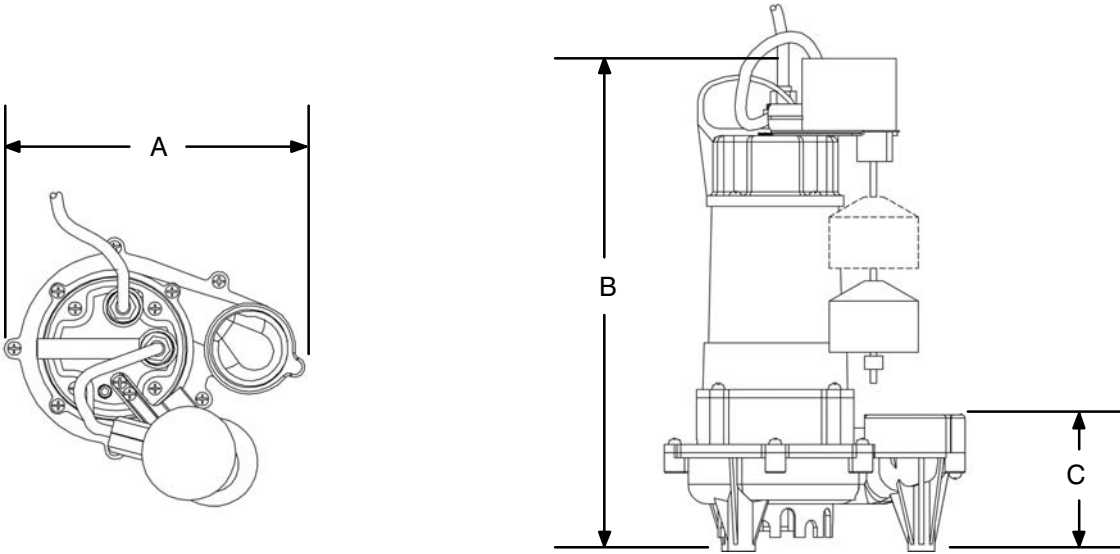
Specifications Subject to Change Without Notice

Printed in U.S.A.

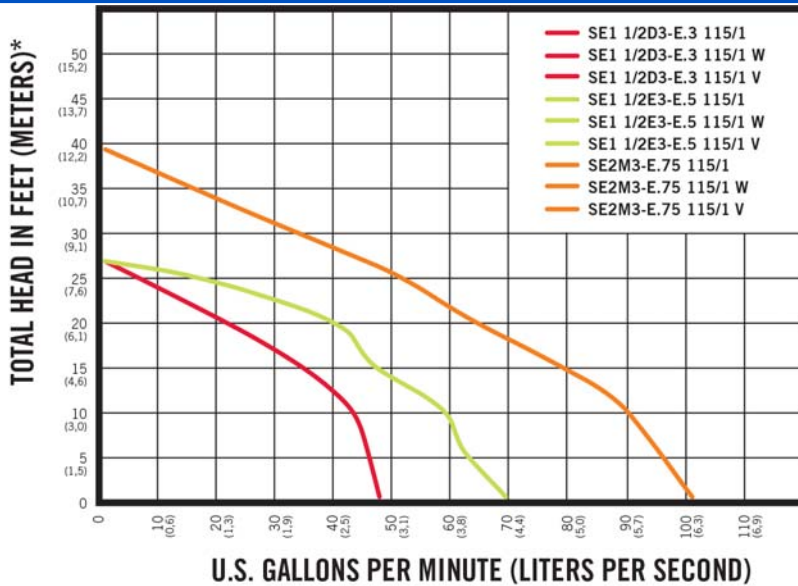
Specification Data

SECTION 130, PAGE 165

APPROXIMATE DIMENSIONS



DIMENSIONS			
Model	A	B	C
SE1 1/2D3-E.3 115/1	8.80 (223,52)	13.00 (330,20)	4.00 (101,60)
SE1 1/2D3-E.3 115/1 W	8.80 (223,52)	13.00 (330,20)	4.00 (101,60)
SE1 1/2D3-E.3 115/1 V	8.80 (223,52)	13.25 (336,55)	4.00 (101,60)
SE1 1/2E3-E.5 115/1	8.80 (223,52)	13.00 (330,20)	4.00 (101,60)
SE1 1/2E3-E.5 115/1 W	8.80 (223,52)	13.00 (330,20)	4.00 (101,60)
SE1 1/2E3-E.5 115/1 V	8.80 (223,52)	13.25 (336,55)	4.00 (101,60)
SE2M3-E.75 115/1	8.80 (223,52)	13.70 (347,98)	4.00 (101,60)
SE2M3-E.75 115/1 W	8.80 (223,52)	13.70 (347,98)	4.00 (101,60)
SE2M3-E.75 115/1 V	8.80 (223,52)	13.95 (354,33)	4.00 (101,60)



Curves are based on a specific gravity of 1.0 *To convert to PSI divide by 2.31



GORMAN-RUPP PUMPS

www.grpumps.com

Specifications Subject to Change Without Notice

Printed in U.S.A.