

Electric Motor Driven

Self Priming Centrifugal Pump

Models 81 1/2D3-E.75 1P

and 81 1/2D3-E.75 3P

Size 1 1/2" x 1 1/2"



PUMP SPECIFICATIONS

Size: 1 1/2" x 1 1/2" (38,1 mm x 38,1 mm) NPT - Female.

Casing: Gray Iron 30.

Maximum Operating Pressure 34 psi (234 kPa).*

Semi-Open Type, Five Vane Impeller: Copper Alloy C93700.

Handles 9/32" (7,1 mm) Spherical Solids.

Impeller Shaft: Stainless Steel 416 (Provided with Motor).

Replaceable Vane Plate: Gray Iron 30.

Intermediate Bracket: Gray Iron 30.

Gasket: Vegetable Fiber.

O-Ring: Buna-N.

Internal Wetted Hardware: Copper Alloy and Standard Plated Steel.

External Hardware: Standard Plated Steel.

Strainer.

Carrying Handle (81 1/2D3-E.75 1P Only).

8' [2,4 M] Electric Power Cord (81 1/2D3-E.75 1P Only).

Optional Equipment: Consult Factory.

**Consult Factory for Applications Exceeding Maximum Pressure and/or Temperature Indicated.*

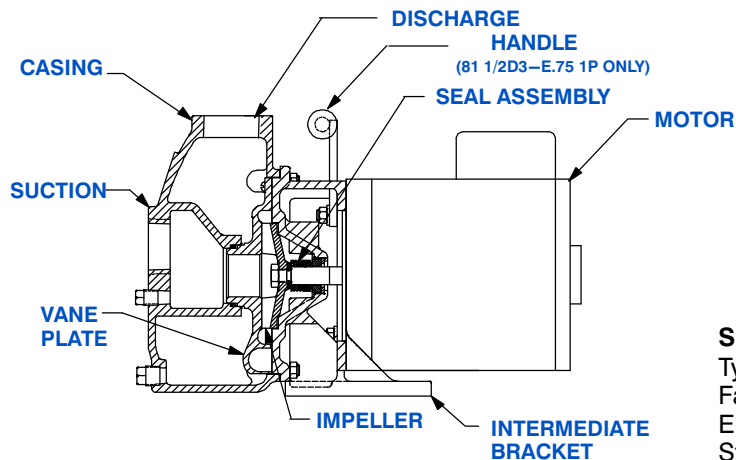


81 1/2D3-E.75 3P SHOWN

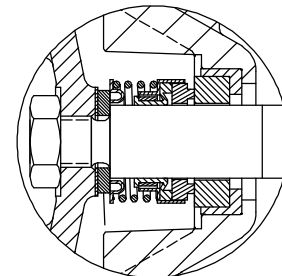
WARNING!
Do not use in explosive atmosphere or for pumping volatile flammable liquids.

MOTOR SPECIFICATIONS

Type	Description	Voltage	Frame Size	Hertz	Service Factor	Horse-power	RPM
E	Single Phase. Open Drip-Proof. Capacitor Start/Induction Run.	115/230	56	60	1.5	0.75	3450
E	Three Phase. Open Drip-Proof. Induction Start/Induction Run.	230/460					



81 1/2D3-E.75 1P SHOWN



SEAL DETAIL

Type 21, Mechanical, Self-Lubricated. Carbon Rotating Face. Ni-Resist Stationary Face. Fluorocarbon Elastomers (DuPont Viton® or Equivalent). Stainless Steel 18-8 Cage and Spring. Maximum Temperature of Liquid Pumped 160°F. (71°C).*



GORMAN-RUPP PUMPS

www.grpumps.com

Specifications Subject to Change Without Notice

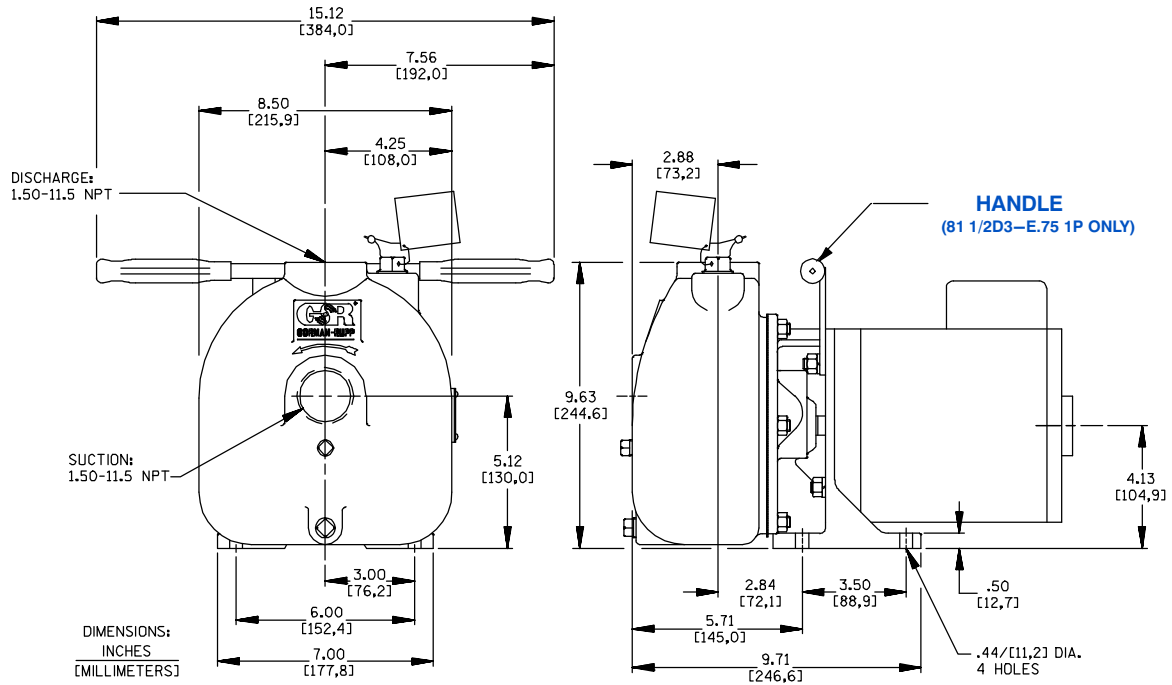
Printed in U.S.A.

Specification Data

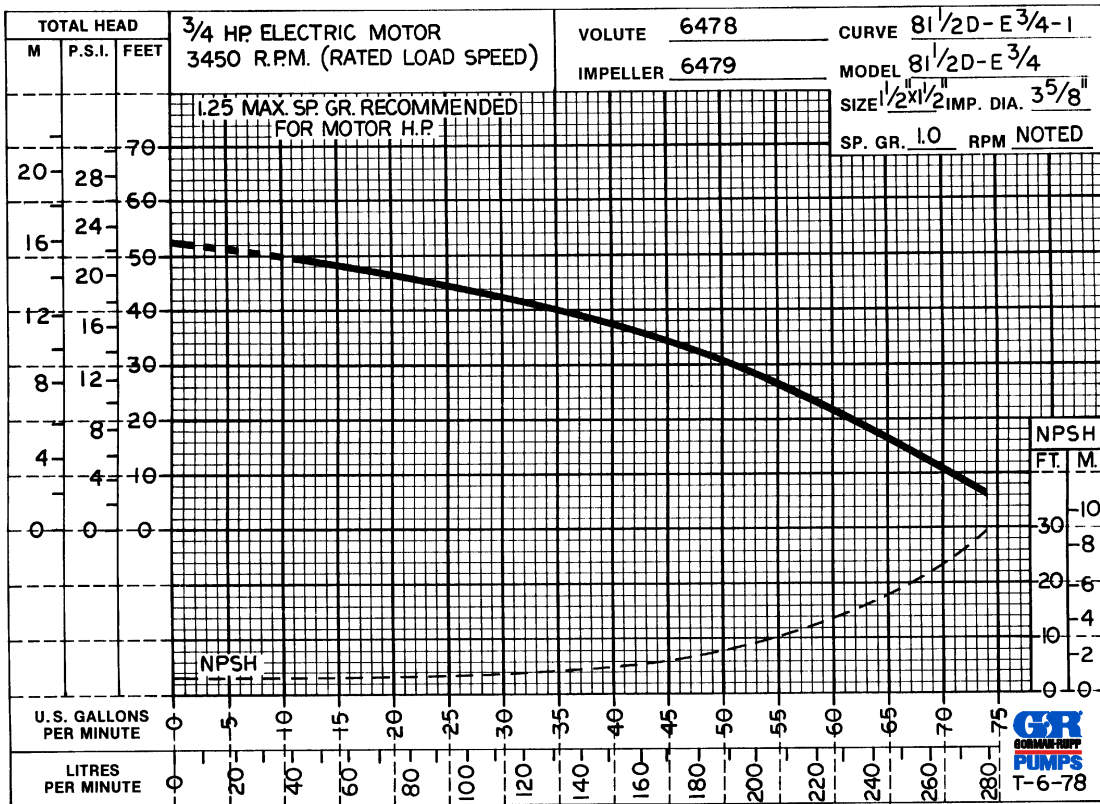
APPROXIMATE
DIMENSIONS and WEIGHTS

NET WEIGHT: 60 LBS. (27,2 KG.)
SHIPPING WEIGHT: 70 LBS. (31,7 KG.)
EXPORT CRATE: 3.5 CU. FT. (0,1 CU. M.)

SECTION 50, PAGE 505



81 1/2D3-E.75 1P SHOWN



GORMAN-RUPP PUMPS

www.grpumps.com

Specifications Subject to Change Without Notice

Printed in U.S.A.