

# Self Priming Centrifugal Pump



Model 81 1/4A3-E.33 3P



Size 1 1/4" x 1 1/4"

## PUMP SPECIFICATIONS

**Size:** 1 1/4" x 1 1/4" (31,8 mm x 31,8 mm) NPT - Female.

**Casing:** Gray Iron 30.

Maximum Operating Pressure 24 psi (165 kPa).\*

**Semi-Open Type, Five Vane Impeller:** Copper Alloy C93700.

Handles 1/4" (6,4 mm) Spherical Solids.

**Impeller Shaft:** Stainless Steel 416 (Provided with Motor).

**Replaceable Vane Plate:** Gray Iron 30.

**Intermediate Bracket:** Gray Iron 30.

**Gasket:** Vegetable Fiber.

**O-Ring:** Buna-N.

**Internal Wetted Hardware:** Copper Alloy and Standard Plated Steel.

**External Hardware:** Standard Plated Steel.

**Strainer:**

**Optional Equipment:** Wheel Kit <sup>W</sup>/Semi-Pneumatic Tires.

*\*Consult Factory for Applications Exceeding Maximum Pressure and/or Temperature Indicated.*

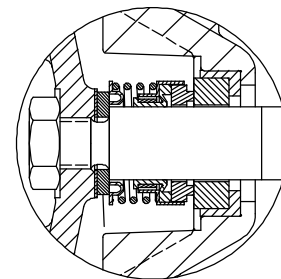
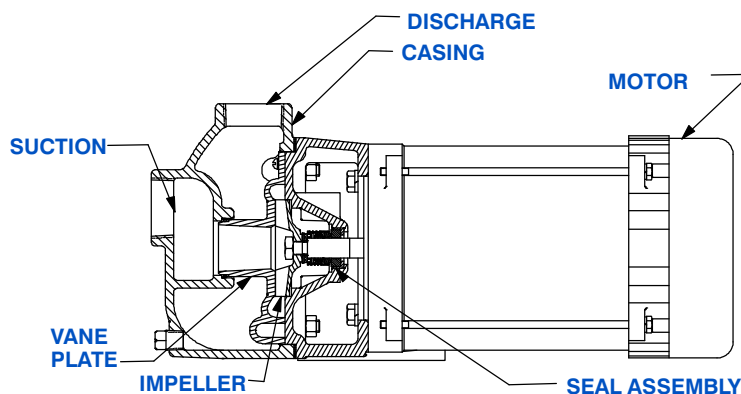


**WARNING!**

Do not use in explosive atmosphere or for pumping volatile flammable liquids.

## MOTOR SPECIFICATIONS

Type	Description	Frame Size	Hertz	Horsepower	Service Factor	RPM	Voltage
E	Three Phase. Open Drip Proof. Induction Start. Thermal Overload Protection. Self-Lubricated Bearings.	56J	60	0.33	1.75	3450	230/460



**SEAL DETAIL** Type 21, Mechanical, Self-Lubricated. Carbon Rotating Face. Ni-Resist Stationary Face. Fluorocarbon Elastomers (DuPont Viton<sup>®</sup> or Equivalent). Stainless Steel 18-8 Cage and Spring. Maximum Temperature of Liquid Pumped 160°F. (71°C).\*



GORMAN-RUPP PUMPS

www.grpumps.com

Specifications Subject to Change Without Notice

Printed in U.S.A.

**Specification Data**

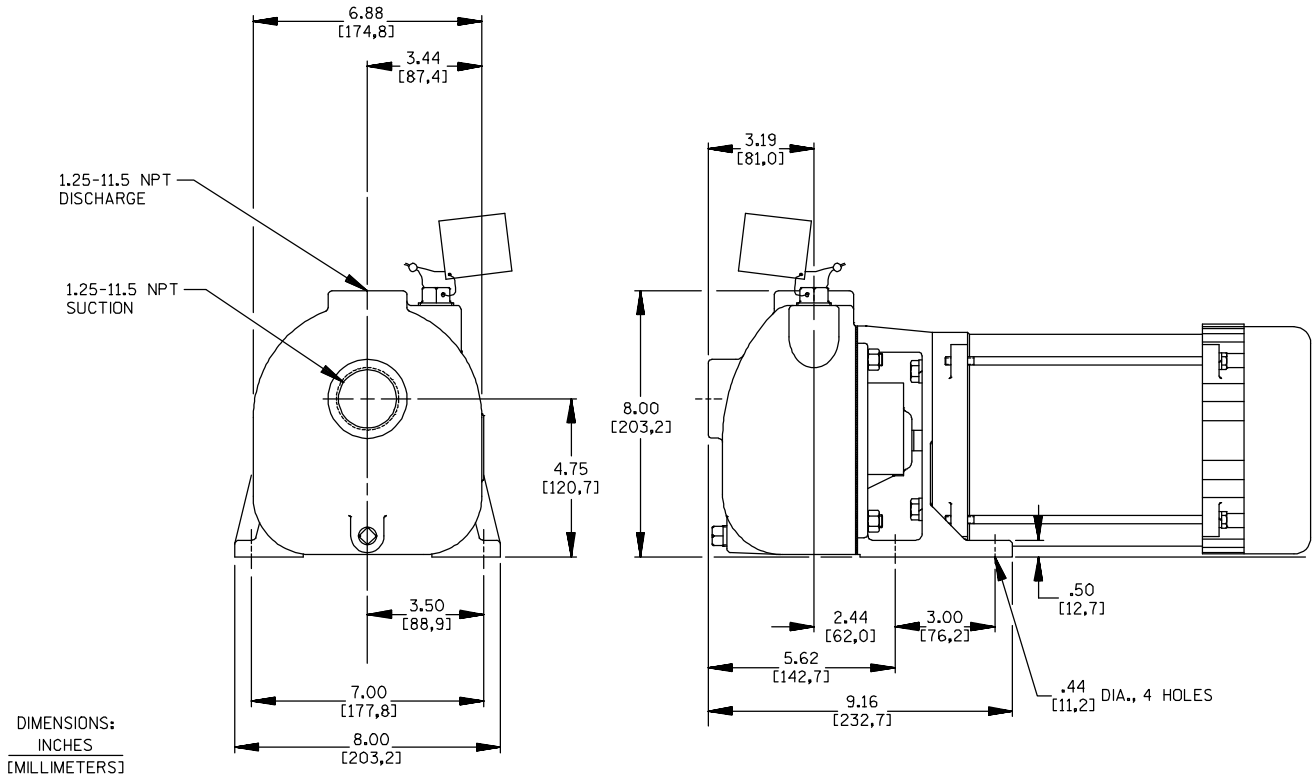
**SECTION 50, PAGE 300**

APPROXIMATE  
DIMENSIONS and WEIGHTS

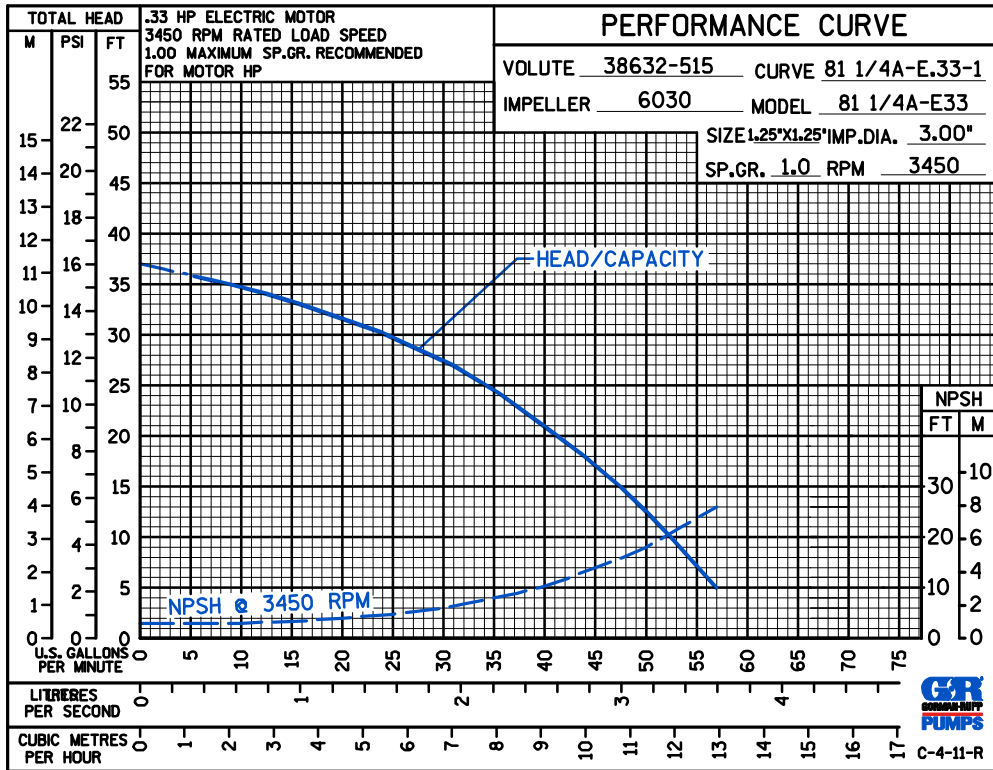
**NET WEIGHT:** 37 LBS. (16,8 KG.)

**SHIPPING WEIGHT:** 47 LBS.(21,3 KG.)

**EXPORT CRATE:** 3.5 CU. FT. (0,1 CU. M.)



60 HERTZ  
Performance  
Based on  
Water



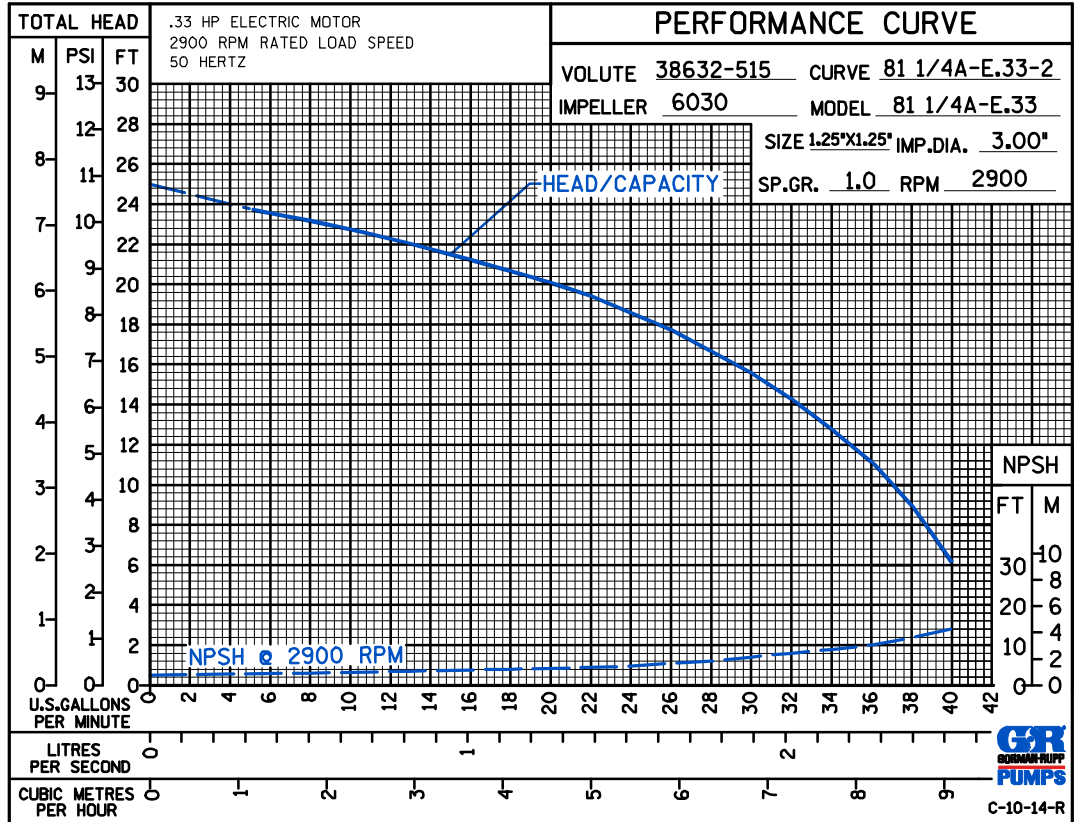
**GORMAN-RUPP PUMPS**

www.grpumps.com

Specifications Subject to Change Without Notice

Printed in U.S.A.

50 HERTZ  
Performance  
Based on  
Water



GORMAN-RUPP PUMPS

www.grpumps.com

Specifications Subject to Change Without Notice

Printed in U.S.A.