

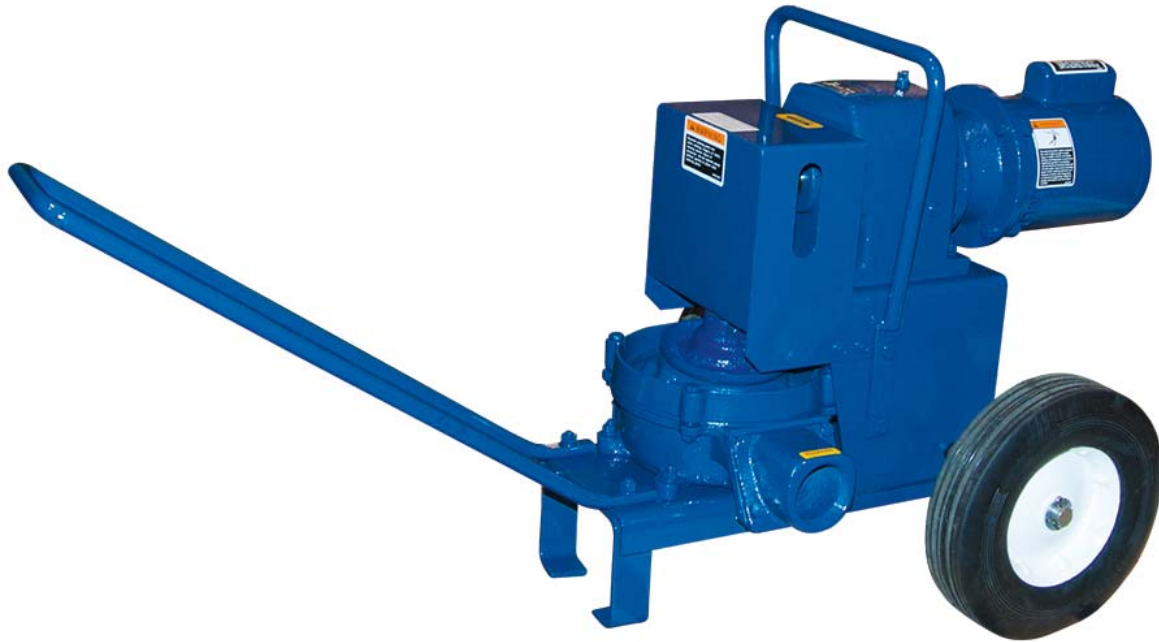
# Self Priming Diaphragm Pump



## Models 2D-X.75 1P and 2D-X.75 3P



### Size 2" x 2"



Shown with Optional Wheel Kit

#### PUMP SPECIFICATIONS

**Size:** 2" x 2" (51 mm x 51 mm) NPT - Female.  
Handles 1 1/2" (38,1 mm) Diameter Spherical Solids.  
**Suction and Discharge Flanges:** Gray Iron 30.  
**Eccentric Cam:** Ductile Iron 65-45-12.  
**Gearbox Housing:** Gray Iron.  
**Plunger Spring:** Stainless Steel 302.  
**Drive Shaft:** Steel.  
**Diaphragm:** Nylon Reinforced Neoprene.  
**Diaphragm Pot:** Gray Iron 30.  
**Diaphragm Retainer Ring:** Aluminum.  
**Upper Diaphragm Plate:** Gray Iron 30.  
**Lower Diaphragm Plate:** Carbon Steel 1010/1020.  
**Flap Valves:** Nylon Reinforced Neoprene.  
**Flap Valve Weights:** Steel.

#### PUMP DATA

**Maximum RPM:** 60.  
**BHP Required:** 0.75.  
**Gear Ratio:** 29:1.  
**Mounting:** Stationary Base.

**Standard Equipment:** Strainer. Eccentric Guard. Carry Handle.

**Optional Equipment:** Wheel Kit <sup>w/</sup>Semi-Pneumatic Tires.

#### MOTOR SPECIFICATIONS

**Type:** Explosion Proof.  
**Horsepower:** 0.75.  
**Frame Size:** 56C.  
**Voltage:**  
**2D-X.75 1P;** Single Phase, 115/230 Volts, 60 Hertz.  
**2D-X.75 3P;** Three Phase, 230/460 Volts, 60 Hertz.  
**RPM:** 1800.



GORMAN-RUPP PUMPS

[www.grpumps.com](http://www.grpumps.com)

Specifications Subject to Change Without Notice

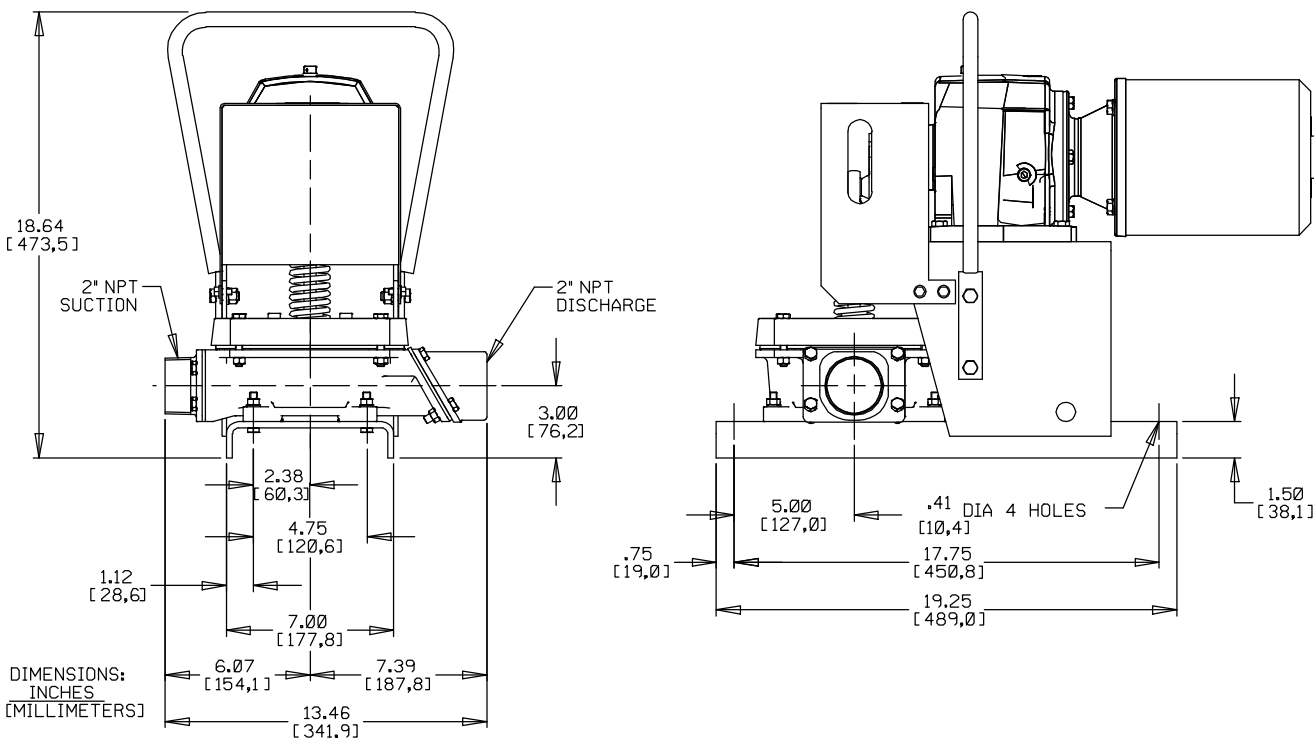
Printed in U.S.A.

**Specification Data**

SECTION 120, PAGE 82

APPROXIMATE DIMENSIONS and WEIGHTS

	<u>STATIONARY BASE</u>	<u>2-WHEEL</u>
<b>PUMP NET WEIGHT:</b>	105 LBS. (47,6 KG.)	130 LBS. (59 KG.)
<b>SHIPPING NET WEIGHT:</b>	120 LBS. (54,4 KG.)	145 LBS. (65,8 KG.)
<b>EXPORT CRATE SIZE:</b>	7.1 CU. FT. (0,20 CU. M.)	8.5 CU. FT. (0,24 CU. M.)



**2D PUMP PERFORMANCE**

IN GALLONS PER MINUTE AT 60 STROKES PER MINUTE					
STATIC LIFT IN FEET	STATIC DISCHARGE HEAD IN FEET				
	0	5	10	15	20
5	27	26	24	22	20
10	25	24	21	20	19
15	22	21	20	19	18
20	21	20	19	18	17

IN LITERS PER MINUTE AT 60 STROKES PER MINUTE					
STATIC LIFT IN METERS	STATIC DISCHARGE HEAD IN METERS				
	0	1.5	3.0	4.6	6.1
1.5	102.2	98.4	90.8	83.3	75.7
3.0	94.6	90.8	79.5	75.7	71.9
4.6	83.3	79.5	75.7	71.9	68.1
6.1	79.5	75.7	71.9	68.1	64.3

Above Performance with 70°F (21°C)\*Clear Water at Sea Level  
Using 2 in. (5,1 cm) Non-Collapsible Suction Hose and 2 in. (5,1 cm) Discharge Hose.



**GORMAN-RUPP PUMPS**

www.grpumps.com

Specifications Subject to Change Without Notice

Printed in U.S.A.