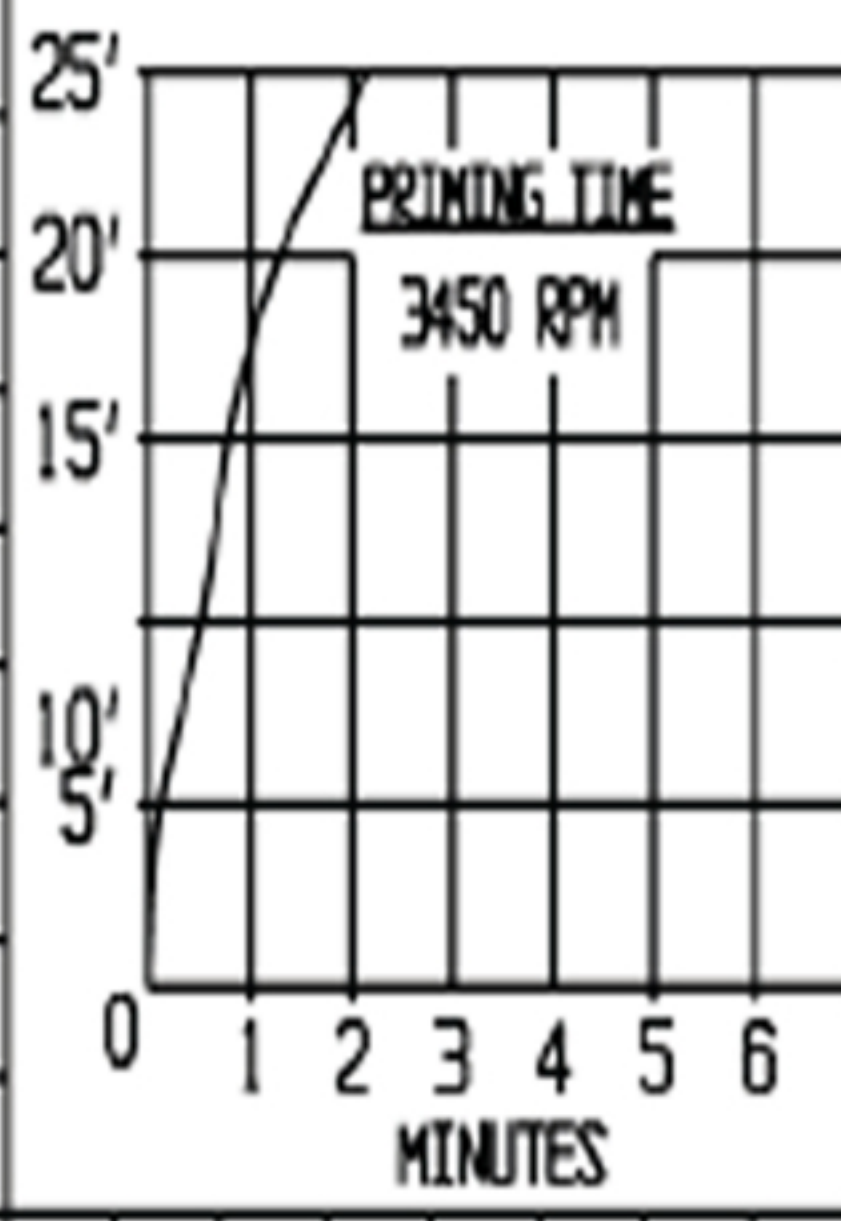
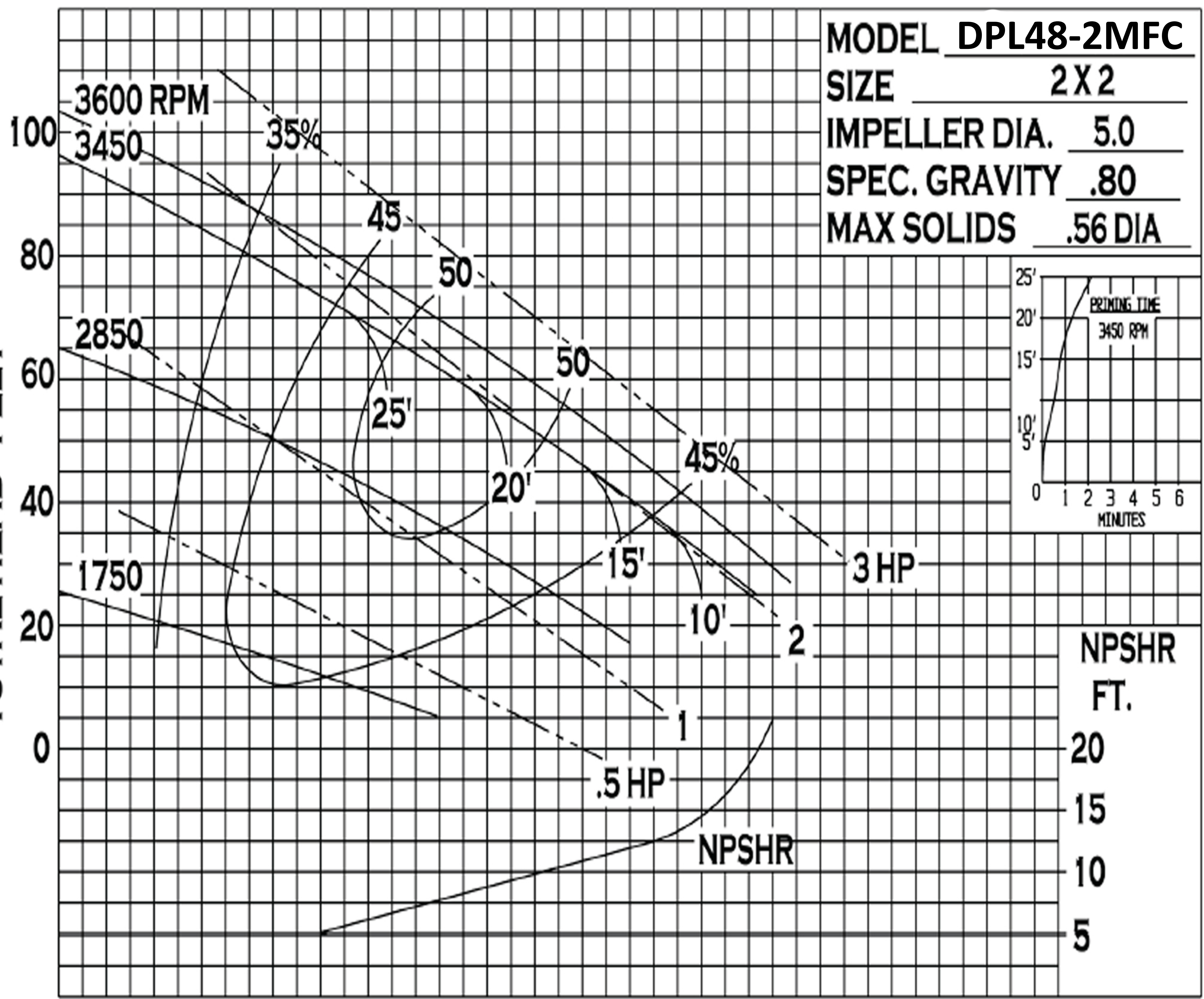


CUBIC METERS PER HOUR

0 10 20 30 40

MODEL DPL48-2MFC
SIZE 2 X 2
IMPELLER DIA. 5.0
SPEC. GRAVITY .80
MAX SOLIDS .56 DIA



TOTAL HEAD - FEET

TOTAL HEAD - METERS

GALLONS PER MINUTE

0 20 40 60 80 100 120 140 160

NPSHR
FT.
20
15
10
5