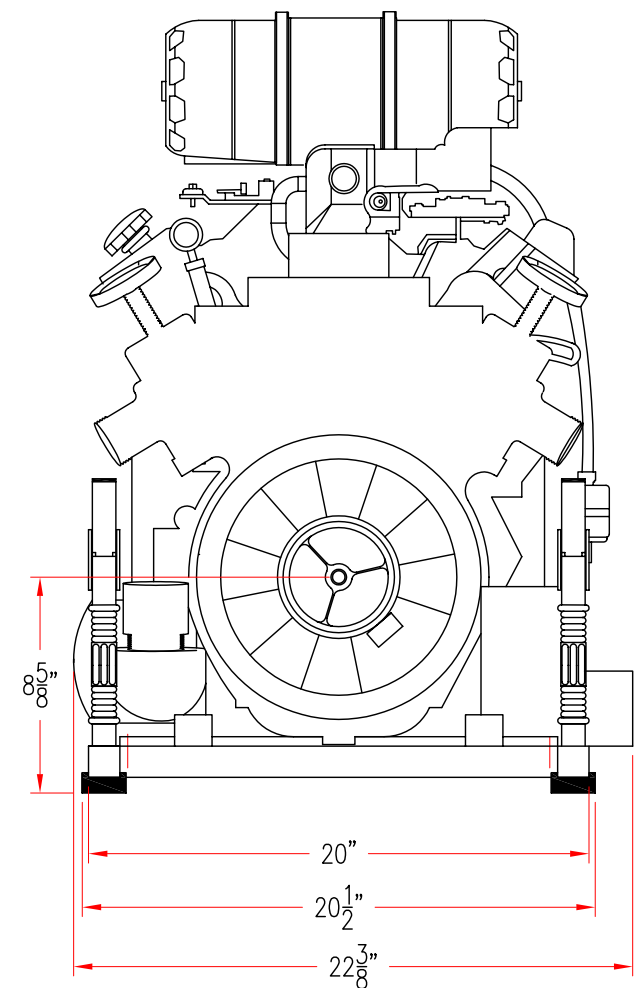
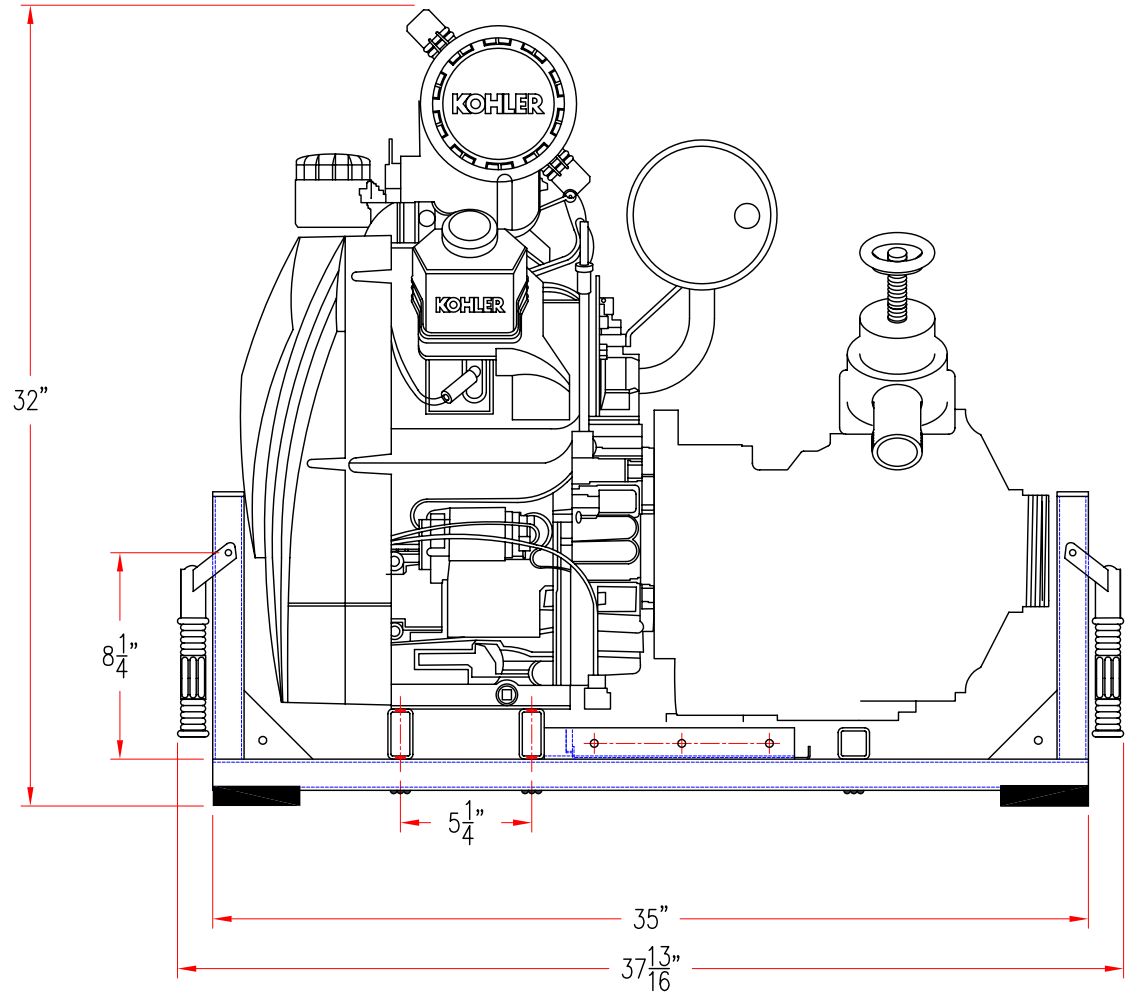




ACCEPT ONLY THE BEST™



**DIMENSION**  
**PFP-38hp KOHLER - DEMI-RACK**

75 Hector St., P.O. Box 90, Pierreville (Québec) Canada J0G 1J0 | Telephone: 1-800-567-2719 | Fax: 1-800-434-2613 | [www.fire-pump.com](http://www.fire-pump.com)

**A CENTURY OF ENGINEERING FOR THE BRAVEST**