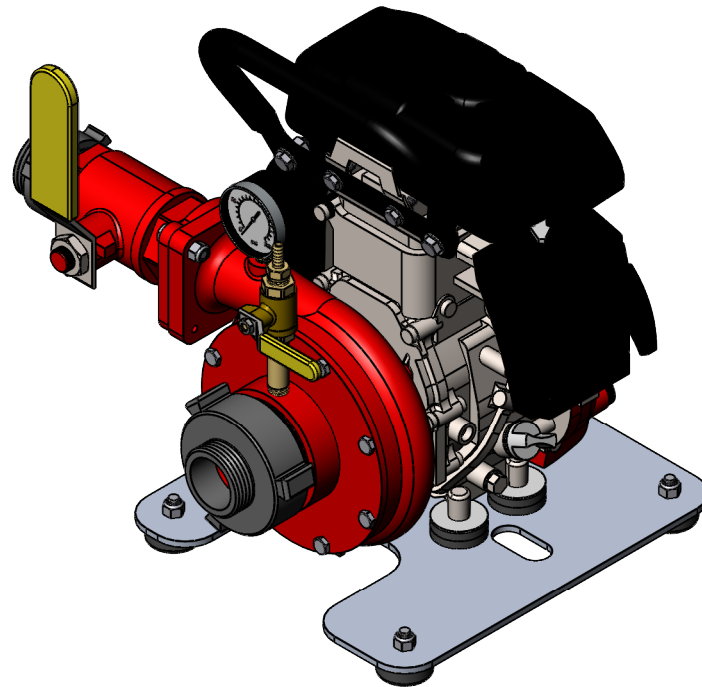
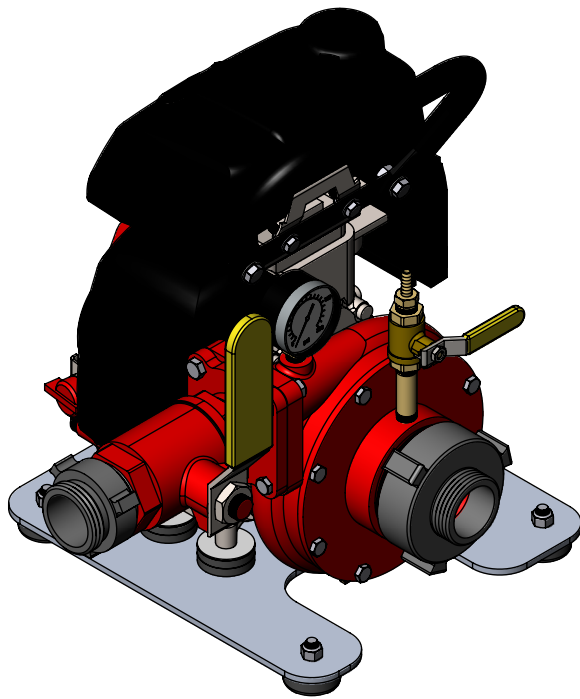
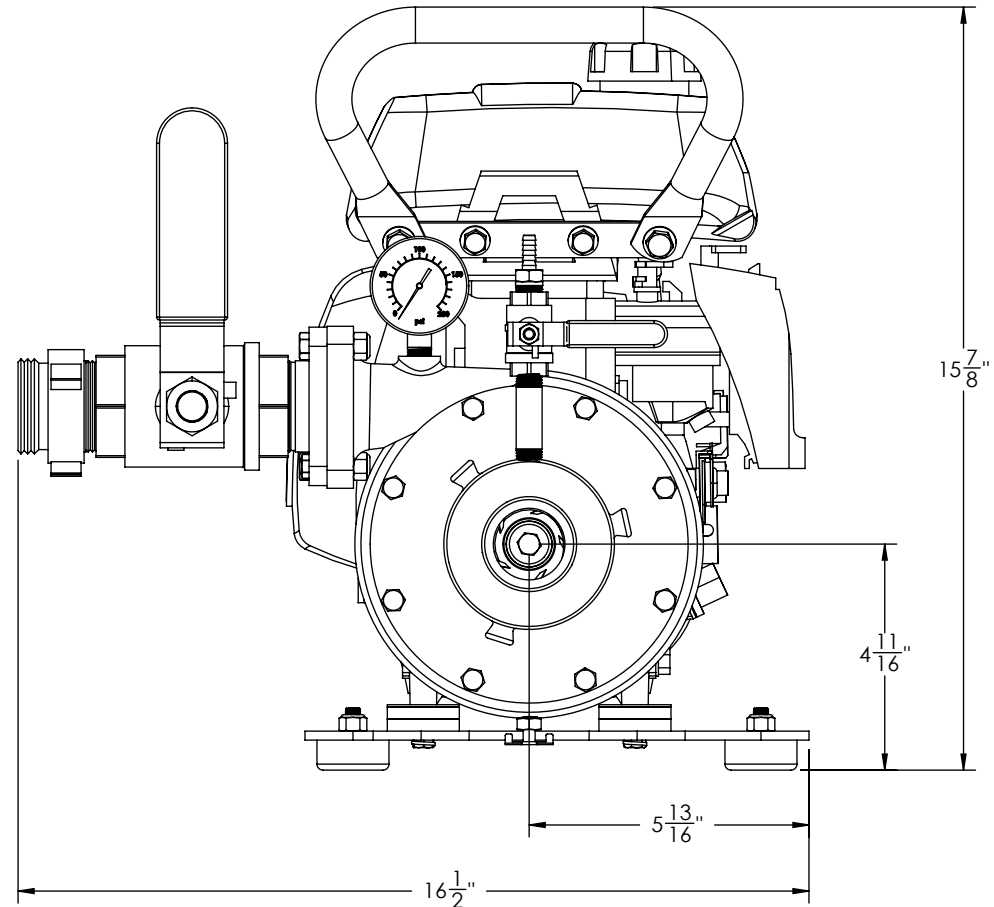
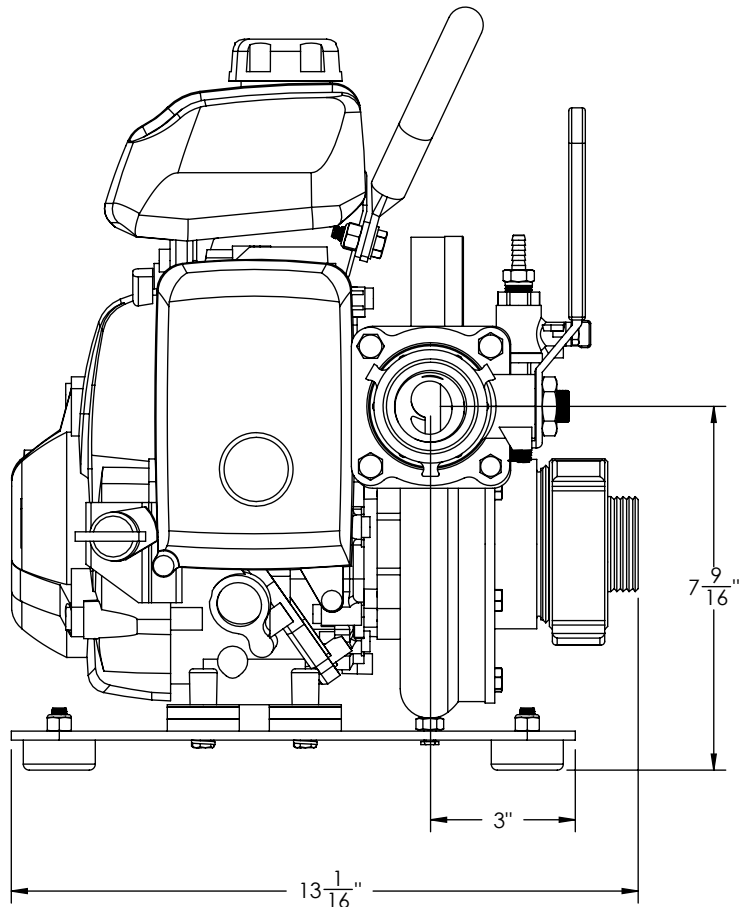


LOW-RANGE PORTABLE PUMP
PFP-2hpHND-M
GXH50 HONDA ENGINE WITH LOW-RANGE PUMP



WE CAN CUSTOMIZE AS YOU WANT



WET WEIGHT: 30 lbs



CREATED
BY: M.P.
DATE: 09-01-17

VERIFIED
BY: M.P.
DATE: 09-01-17

TITLE : PFP-2hpHND-M

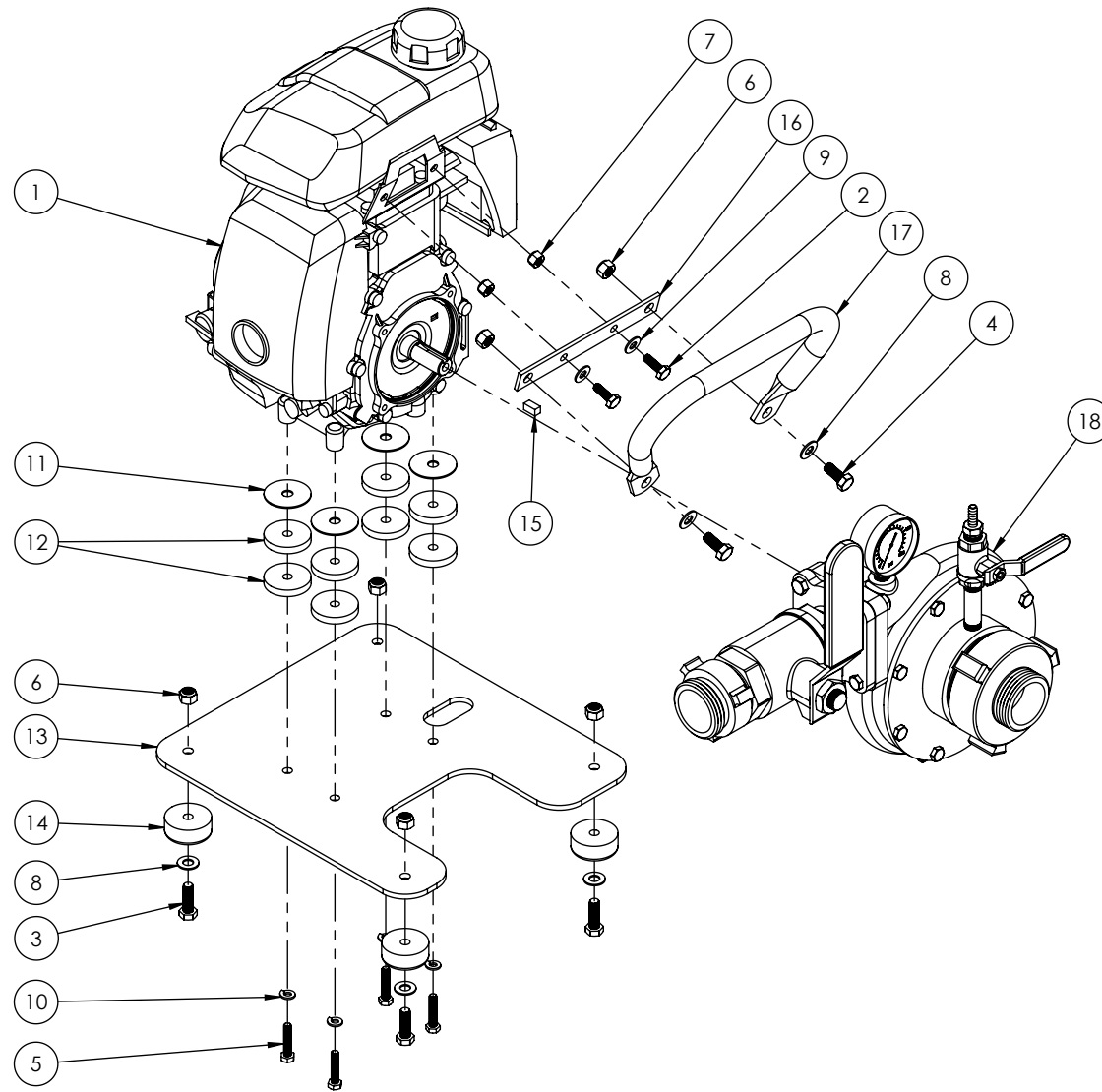
No: **PO-01LR-0704-A**

WARNING

THIS DOCUMENT REMAINS THE PROPERTY OF C.E.T. FIRE PUMPS MFG.

ALL REPRODUCTION WITHOUT WRITTEN AGREEMENT FROM C.E.T. FIRE PUMPS MFG IS TOTALLY PROHIBITED.

A	Version A	09-03-17	M.P.
REV.	DESCRIPTION	DATE	BY



NO	PART NUMBER	DESCRIPTION	QTY
1	001-PP1-022	GXH50 HONDA (2hp) ELECTRIC GAS. ENGINE	1
2	022-PP1-006	HEX. BOLT 1/4"-20 x 3/4"	2
3	022-PP1-011	HEX. BOLT 5/16"-18 x 1"	4
4	022-PP1-029	HEX. BOLT 5/16"-18 x 3/4"	2
5	022-PP1-069	HEX. BOLT M6-1 x 30mm	4
6	023-PP1-005	HEX. NYLON LOCK NUT 5/16"-18	6
7	023-PP1-006	HEX. NYLON LOCKNUT 1/4"-20	2
8	024-PP1-004	FLAT WASHER 5/16" ID x 3/4"OD	6
9	024-PP1-008	FLAT WASHER 1/4", 9/32" ID x 5/8" OD	2
10	024-PP1-013	LOCK WASHER 1/4"	4
11	024-PP1-418	FLAT WASHER 5/16" ID x 1-1/2" OD (SS)	4
12	025-PP1-015	RUBBER WASHER 0.312" INT x 1.5" EXT. x 1/4" TK	8
13	057-PP1-386	FRAME	1
14	060-PP1-014	FLAT TOP RECESSED BUMPER	4
15	PO-0000-6805	SHAFT KEY 1/4 x 1/2"	1
16	PO-00LR-6701	HANDLE BRACKET	1
17	PO-00TW-2827	HANDLE	1
18	PO-01LR-0801	PUMP-END ACCESSORIES ASSEMBLY	1



CREATED
 BY: M.P.
 DATE: 09-01-17
VERIFIED
 BY: M.P.
 DATE: 09-01-17

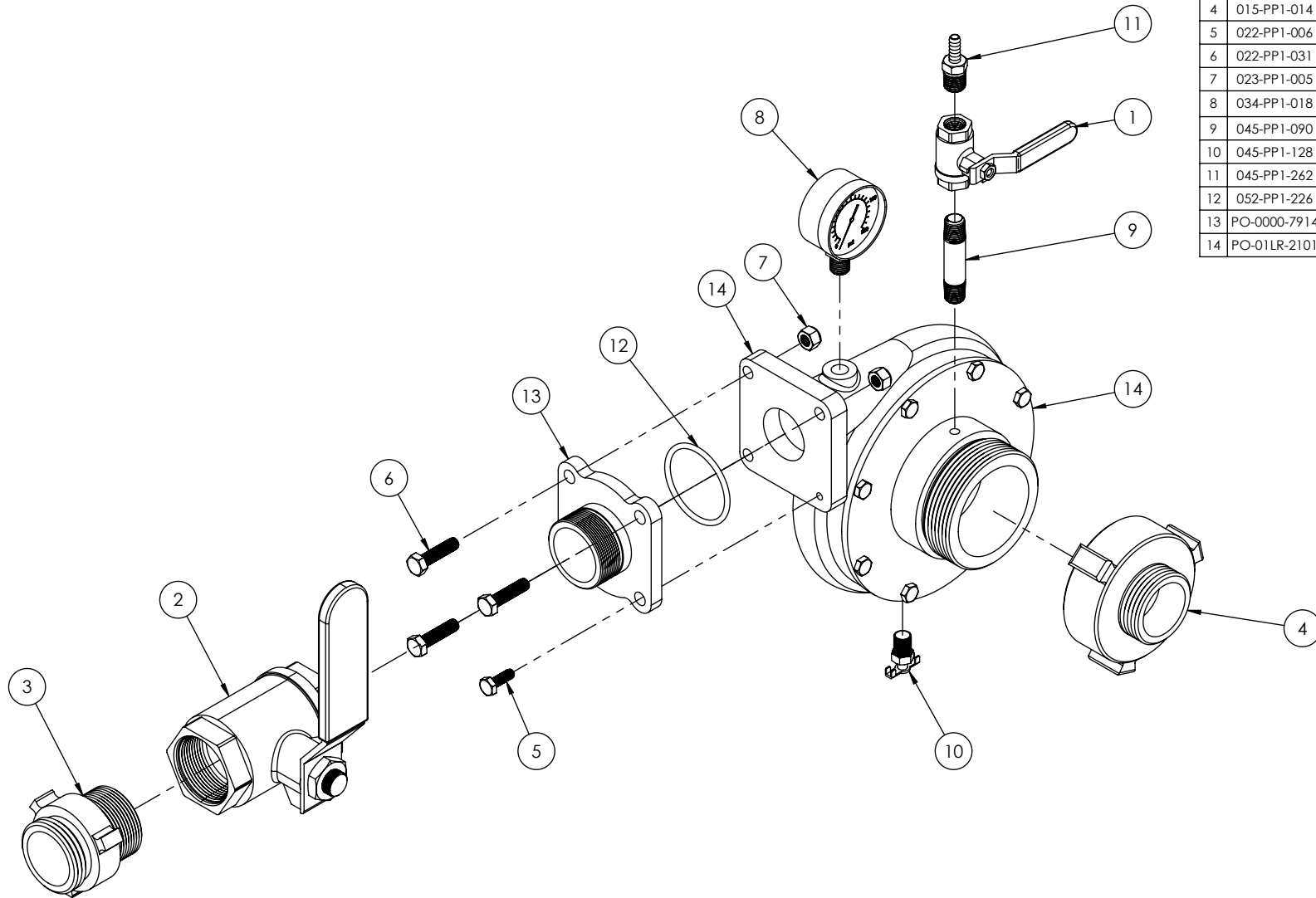
TITLE : PFP-2hpHND-M
No: PO-01LR-0704-A

WARNING

THIS DOCUMENT REMAINS THE PROPERTY OF C.E.T. FIRE PUMPS MFG.
 ALL REPRODUCTION WITHOUT WRITTEN AGREEMENT FROM C.E.T. FIRE PUMPS MFG IS TOTALLY PROHIBITED.

A	Version A	09-03-17	M.P.
REV.	DESCRIPTION	DATE	BY

NO	PART NUMBER	DESCRIPTION	QTY
1	005-PP1-205	BALL VALVE 1/4" NPT-F	1
2	005-PP1-207	BALL VALVE 1-1/2" NPT-F	1
3	015-PP1-003	ADAPTER 1-1/2" NH-M to 1-1/2" NPT-M	1
4	015-PP1-014	ADAPTER 2-1/2" NH-F to 1-1/2" NH-M	1
5	022-PP1-006	HEX. BOLT 1/4"-20 x 3/4"	1
6	022-PP1-031	HEX. BOLT 5/16"-18 x 1-1/4"	3
7	023-PP1-005	HEX. NYLON LOCK NUT 5/16"-18	3
8	034-PP1-018	DRY GAUGE 0/200psi DIA 2" x 1/4CMB	1
9	045-PP1-090	NIPPLE 1/4" M X 2-1/2"	1
10	045-PP1-128	BACK SEATING DRAIN 1/4"	1
11	045-PP1-262	1/4" BARBED HOSE FITTING x 1/4" NPT-M	1
12	052-PP1-226	O-RING	1
13	PO-0000-7914	GROOVED FLANGE	1
14	PO-01LR-2101	PUMP END ASSEMBLY	1



nqa.
ISO 9001
Registered
Quality
Management

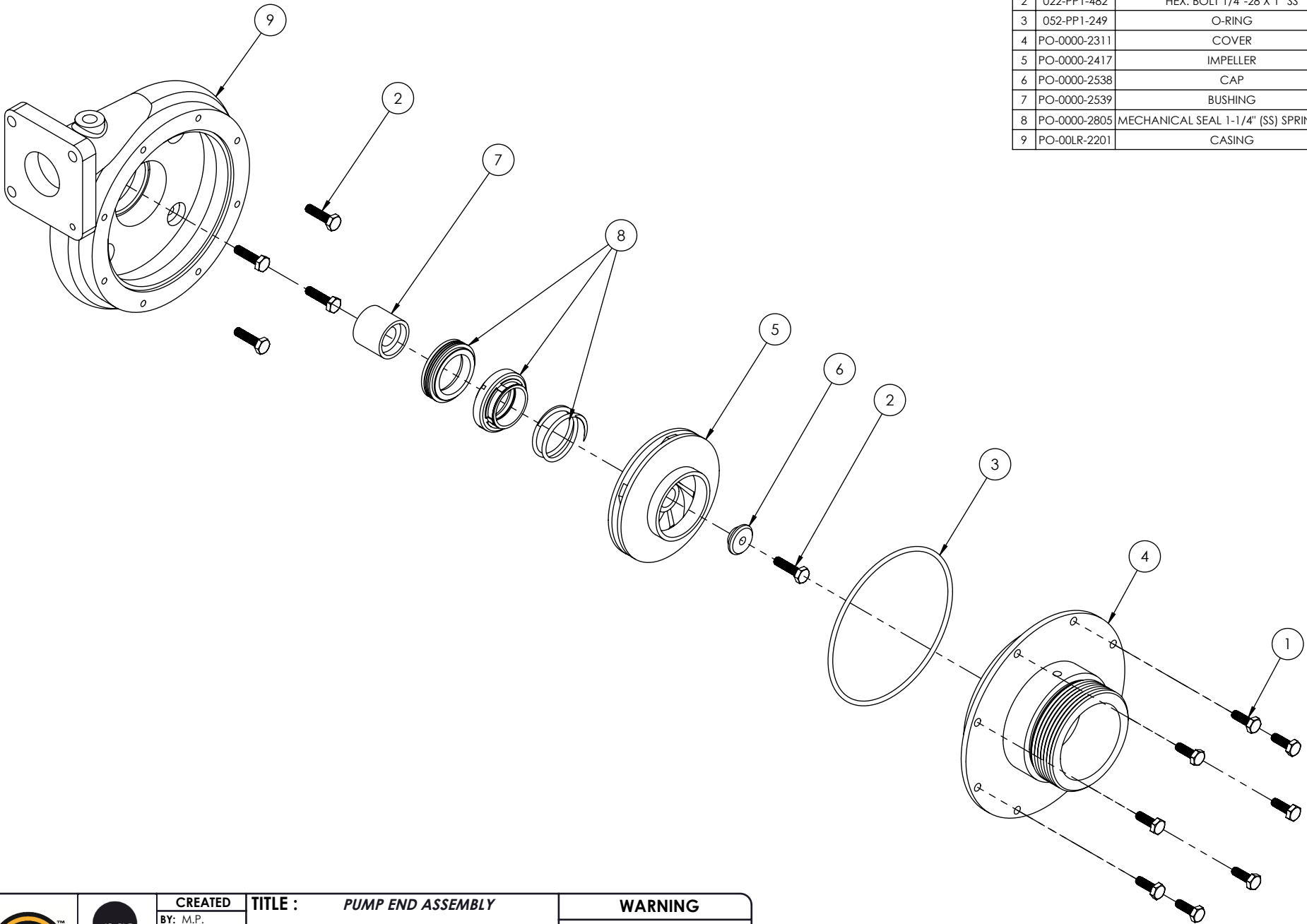
CREATED
BY: M.P.
DATE: 27-02-17
VERIFIED
BY: M.P.
DATE: 27-02-17

TITLE : PUMP-END ACCESSORIES ASSEMBLY
PPF-2hpHND-M
No: PO-01LR-0801

WARNING
THIS DOCUMENT REMAINS THE PROPERTY
OF C.E.T. FIRE PUMPS MFG.
ALL REPRODUCTION WITHOUT WRITTEN
AGREEMENT FROM C.E.T. FIRE PUMPS MFG
IS TOTALLY PROHIBITED.

REV.	DESCRIPTION	DATE	BY
A	Version A	09-03-17	M.P.

NO	PART NUMBER	DESCRIPTION	QTY
1	022-PP1-006	HEX. BOLT 1/4"-20 x 3/4"	8
2	022-PP1-482	HEX. BOLT 1/4"-28 X 1" SS	5
3	052-PP1-249	O-RING	1
4	PO-0000-2311	COVER	1
5	PO-0000-2417	IMPELLER	1
6	PO-0000-2538	CAP	1
7	PO-0000-2539	BUSHING	1
8	PO-0000-2805	MECHANICAL SEAL 1-1/4" (SS) SPRING CUT	1
9	PO-00LR-2201	CASING	1



CREATED
 BY: M.P.
 DATE: 20-02-17
VERIFIED
 BY: M.P.
 DATE: 20-02-17

TITLE : PUMP END ASSEMBLY
 PFP-2hpHND-M
No: PO-01LR-2101

WARNING
 THIS DOCUMENT REMAINS THE PROPERTY OF C.E.T. FIRE PUMPS MFG.
 ALL REPRODUCTION WITHOUT WRITTEN AGREEMENT FROM C.E.T. FIRE PUMPS MFG IS TOTALLY PROHIBITED.

REV.	DESCRIPTION	DATE	BY
A	Version A	09-03-17	M.P.