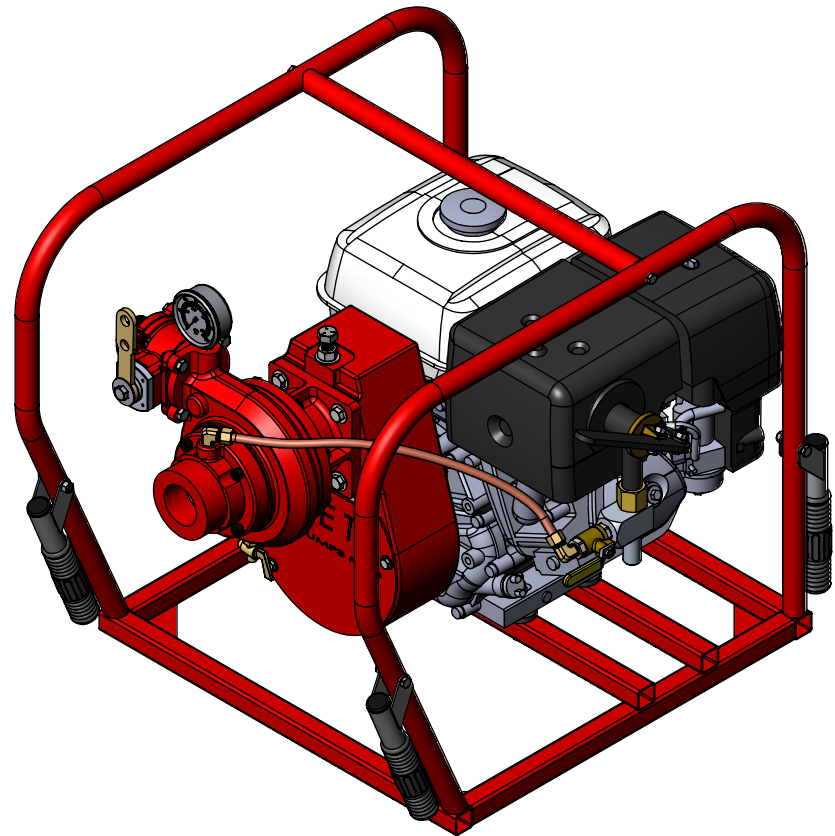
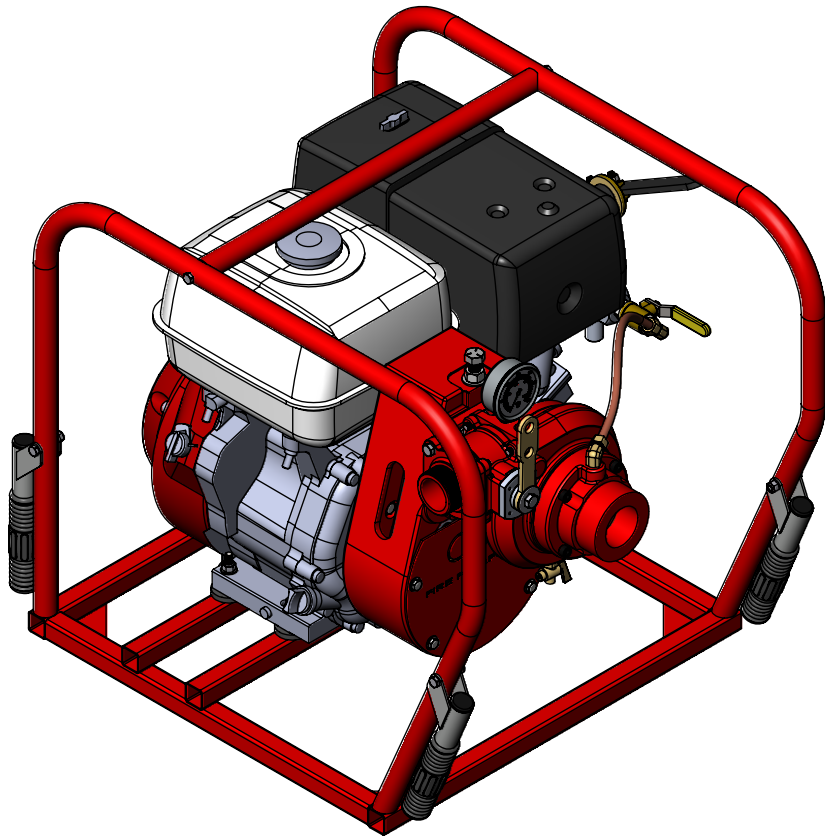
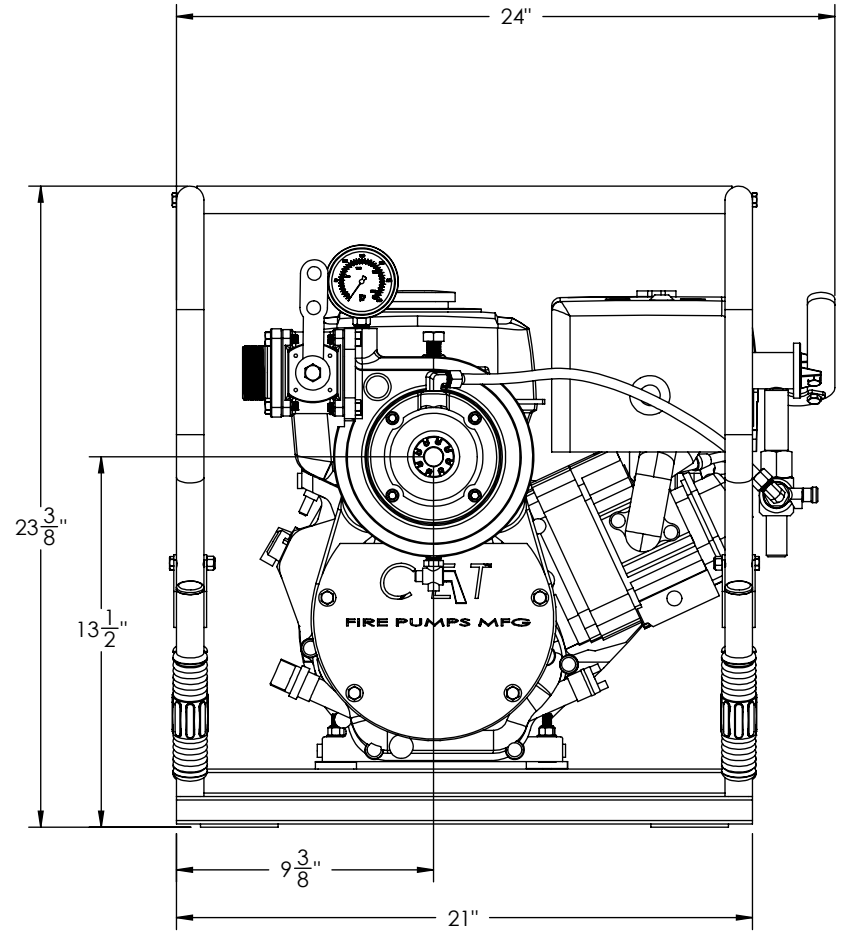
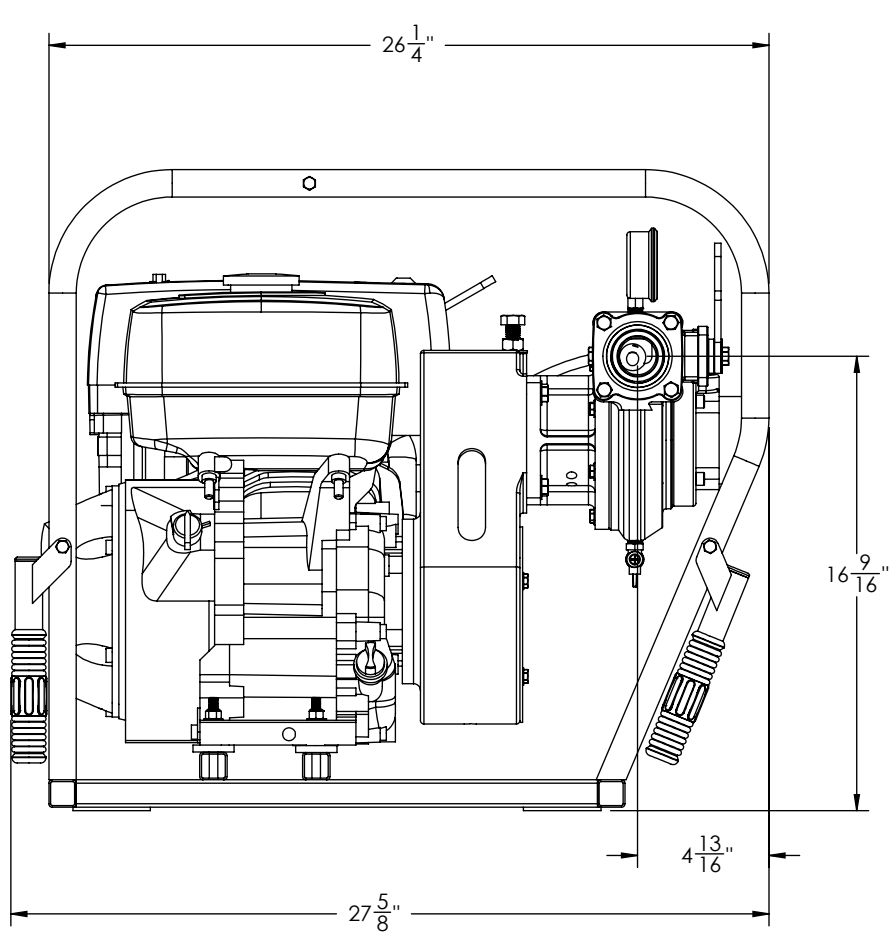


**PORTABLE FIRE PUMP**  
**PFP-11hpHND-M-HP**  
**GX340 HONDA WITH HIGH-PRESSURE PUMP**



**WE CAN CUSTOMIZE AS YOU WANT**



**WET WEIGHT: 150 lbs**



**nqa.**  
**ISO 9001**  
 Registered  
 Quality  
 Management

**CREATED**  
 BY: T.W.  
 DATE: 03-08-17  
**VERIFIED**  
 BY: M.P.  
 DATE: 09-08-17

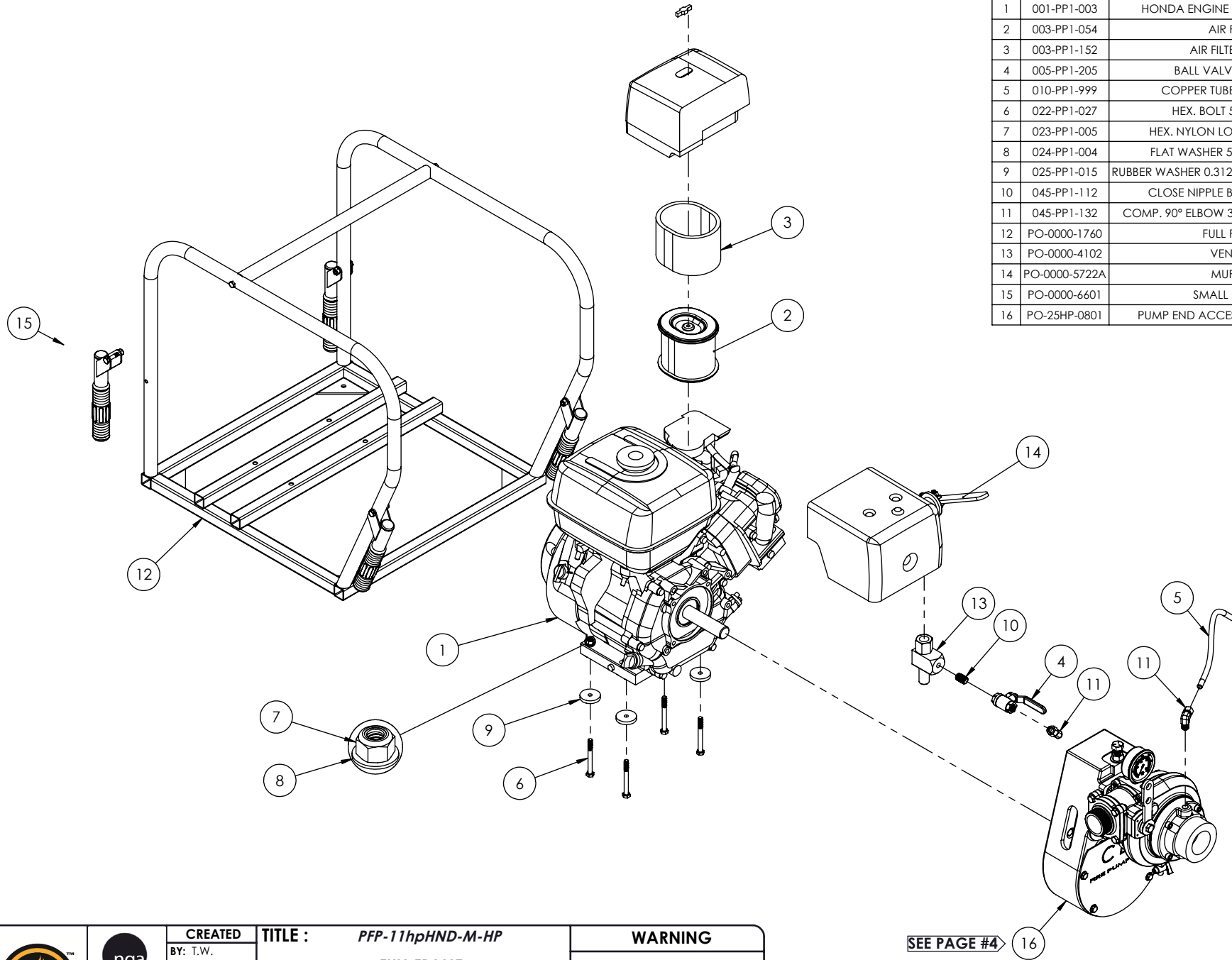
**TITLE :** PFP-11hpHND-M-HP  
 FULL FRAME  
**No:** **PO-25HP-0701-A**

**WARNING**

THIS DOCUMENT REMAINS THE PROPERTY OF C.E.T. FIRE PUMPS MFG.  
 ALL REPRODUCTION WITHOUT WRITTEN AGREEMENT FROM C.E.T. FIRE PUMPS MFG IS TOTALLY PROHIBITED.

REV.	DESCRIPTION	DATE	BY
A	Version A	01-01-16	M.P.

NO	PART NUMBER	DESCRIPTION	QTY
1	001-PP1-003	HONDA ENGINE (GX340) MANUAL	1
2	003-PP1-054	AIR FILTER	1
3	003-PP1-152	AIR FILTER FOAM	1
4	005-PP1-205	BALL VALVE 1/4" NPT-F	1
5	010-PP1-999	COPPER TUBE 3/8" x 13 3/4"	1
6	022-PP1-027	HEX. BOLT 5/16"-18 x 3"	4
7	023-PP1-005	HEX. NYLON LOCK NUT 5/16"-18	4
8	024-PP1-004	FLAT WASHER 5/16" ID x 3/4"OD	4
9	025-PP1-015	RUBBER WASHER 0.312" INT x 1.5" EXT. x 1/4" TK	4
10	045-PP1-112	CLOSE NIPPLE BRASS 1/4" NPT-M	1
11	045-PP1-132	COMP. 90° ELBOW 3/8" TUBE x 1/4" NPT-M	2
12	PO-0000-1760	FULL FRAME	1
13	PO-0000-4102	VENTURY	1
14	PO-0000-5722A	MUFFLER	1
15	PO-0000-6601	SMALL HANDLE	4
16	PO-25HP-0801	PUMP END ACCESSORIES ASSEMBLY	1



SEE PAGE #4



nqa.  
ISO 9001  
Registered  
Quality  
Management

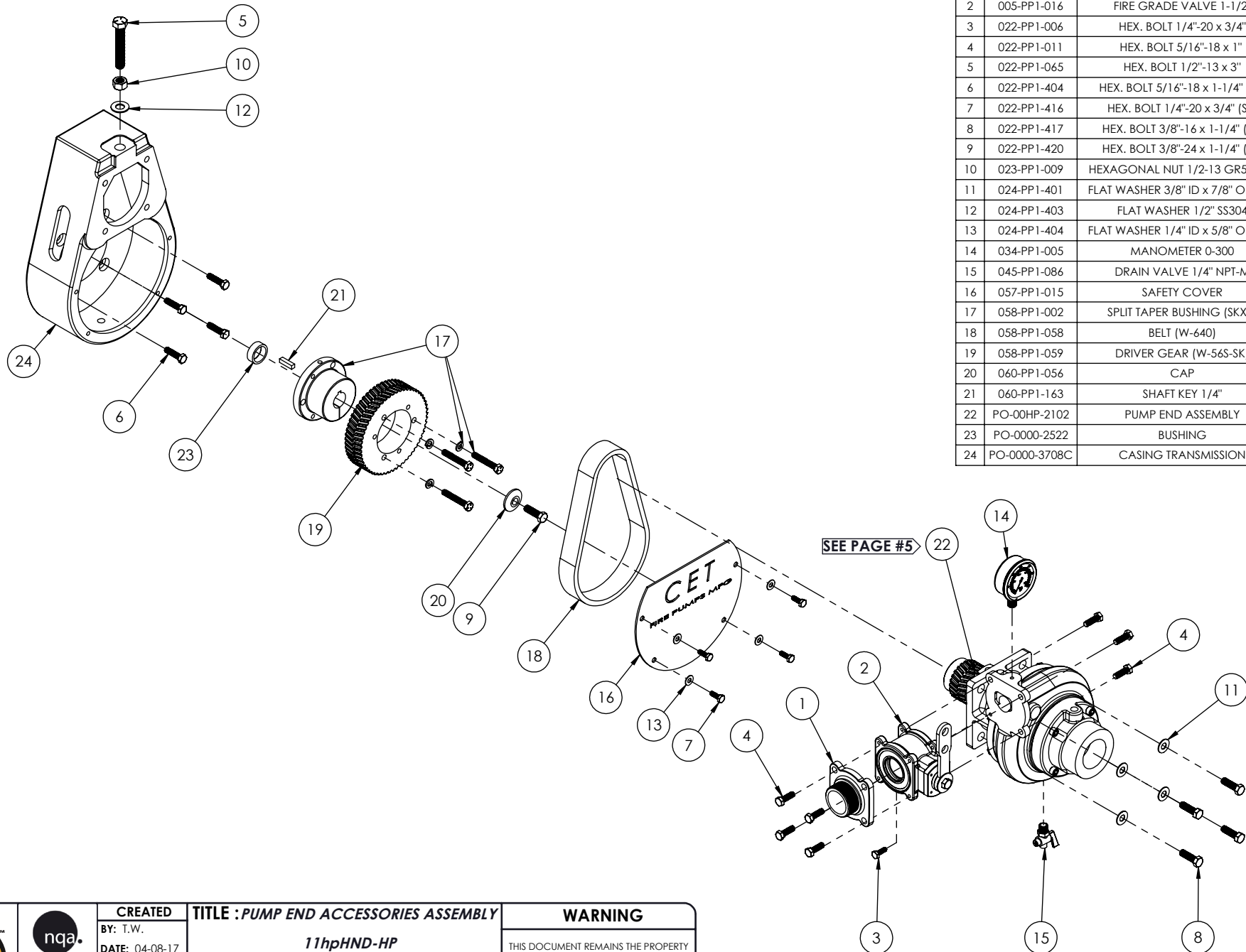
CREATED  
BY: T.W.  
DATE: 03-08-17  
VERIFIED  
BY: M.P.  
DATE: 09-08-17

TITLE : PFP-11hpHND-M-HP  
FULL FRAME  
No: PO-25HP-0701-A

WARNING

THIS DOCUMENT REMAINS THE PROPERTY OF C.E.T. FIRE PUMPS MFG.  
ALL REPRODUCTION WITHOUT WRITTEN AGREEMENT FROM C.E.T. FIRE PUMPS MFG IS TOTALLY PROHIBITED.

REV.	DESCRIPTION	DATE	BY
A	Version A	01-01-16	M.P.



NO	PART NUMBER	DESCRIPTION	QTY
1	002-PP1-301	FLANGE 1-1/2" NH-M	1
2	005-PP1-016	FIRE GRADE VALVE 1-1/2"	1
3	022-PP1-006	HEX. BOLT 1/4"-20 x 3/4"	1
4	022-PP1-011	HEX. BOLT 5/16"-18 x 1"	7
5	022-PP1-065	HEX. BOLT 1/2"-13 x 3"	1
6	022-PP1-404	HEX. BOLT 5/16"-18 x 1-1/4" (SS)	4
7	022-PP1-416	HEX. BOLT 1/4"-20 x 3/4" (SS)	4
8	022-PP1-417	HEX. BOLT 3/8"-16 x 1-1/4" (SS)	4
9	022-PP1-420	HEX. BOLT 3/8"-24 x 1-1/4" (SS)	1
10	023-PP1-009	HEXAGONAL NUT 1/2-13 GR5 ZINC	1
11	024-PP1-401	FLAT WASHER 3/8" ID x 7/8" OD (SS)	4
12	024-PP1-403	FLAT WASHER 1/2" SS304	1
13	024-PP1-404	FLAT WASHER 1/4" ID x 5/8" OD (SS)	4
14	034-PP1-005	MANOMETER 0-300	1
15	045-PP1-086	DRAIN VALVE 1/4" NPT-M	1
16	057-PP1-015	SAFETY COVER	1
17	058-PP1-002	SPLIT TAPER BUSHING (SKX1)	1
18	058-PP1-058	BELT (W-640)	1
19	058-PP1-059	DRIVER GEAR (W-56S-SK)	1
20	060-PP1-056	CAP	1
21	060-PP1-163	SHAFT KEY 1/4"	1
22	PO-00HP-2102	PUMP END ASSEMBLY	1
23	PO-0000-2522	BUSHING	1
24	PO-0000-3708C	CASING TRANSMISSION	1



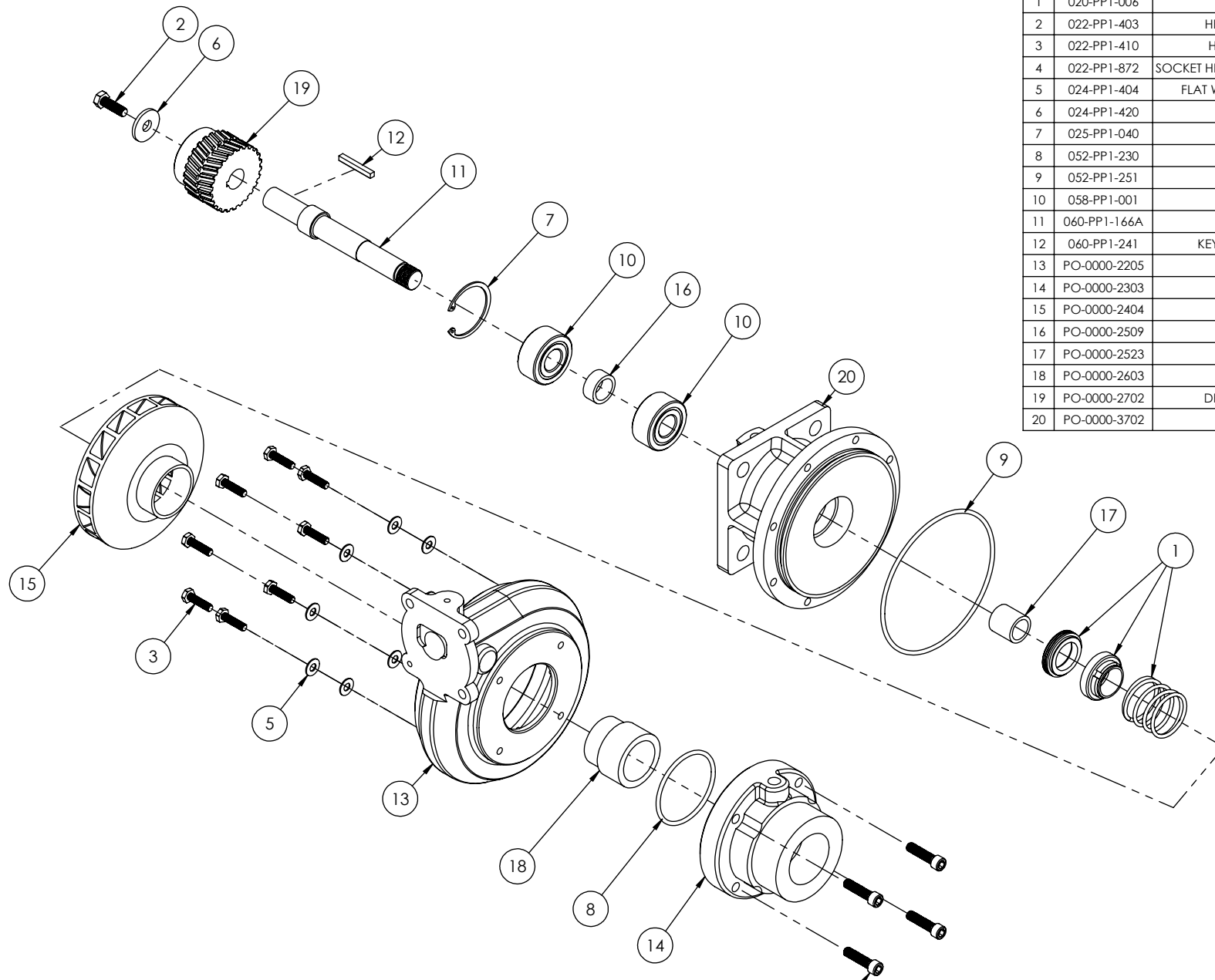
nqa.  
ISO 9001  
Registered  
Quality  
Management

CREATED  
BY: T.W.  
DATE: 04-08-17  
VERIFIED  
BY: M.P.  
DATE: 09-08-17

TITLE : PUMP END ACCESSORIES ASSEMBLY  
11hpHND-HP  
No: PO-25HP-0801

WARNING  
THIS DOCUMENT REMAINS THE PROPERTY OF C.E.T. FIRE PUMPS MFG.  
ALL REPRODUCTION WITHOUT WRITTEN AGREEMENT FROM C.E.T. FIRE PUMPS MFG IS TOTALLY PROHIBITED.

REV.	DESCRIPTION	DATE	BY
A	Version A	01-01-16	M.P.



NO	PART NUMBER	DESCRIPTION	QTY
1	020-PP1-006	1.00" T-21 BP1C1 SEALS	1
2	022-PP1-403	HEX. BOLT 5/16"-18 x 1" (SS)	1
3	022-PP1-410	HEX. BOLT 1/4"-20 x 1" (SS)	8
4	022-PP1-872	SOCKET HEAD CAP SCREW 5/16"-18 x 1-1/4"	4
5	024-PP1-404	FLAT WASHER 1/4" ID x 5/8" OD (SS)	8
6	024-PP1-420	WASHER	1
7	025-PP1-040	RETAINING RING	1
8	052-PP1-230	O'RING 2-230 AB	1
9	052-PP1-251	O-RING	1
10	058-PP1-001	BEARING	2
11	060-PP1-166A	SHAFT	1
12	060-PP1-241	KEY SHAFT 3/16" x 3/16" x 1.5"	1
13	PO-0000-2205	CASING	1
14	PO-0000-2303	COVER	1
15	PO-0000-2404	IMPELLER	1
16	PO-0000-2509	BUSHING	1
17	PO-0000-2523	BUSHING	1
18	PO-0000-2603	WATER RING	1
19	PO-0000-2702	DRIVEN GEAR (W-28S-MPB)	1
20	PO-0000-3702	BELL HOUSING	1



**CREATED**  
 BY: M.P.  
 DATE: 09-09-16  
**VERIFIED**  
 BY: M.P.  
 DATE: 09-09-16

**TITLE :** PUMP END ASSEMBLY  
 11hpHND-HP  
**No:** PO-00HP-2102

**WARNING**  
 THIS DOCUMENT REMAINS THE PROPERTY OF C.E.T. FIRE PUMPS MFG.  
 ALL REPRODUCTION WITHOUT WRITTEN AGREEMENT FROM C.E.T. FIRE PUMPS MFG IS TOTALLY PROHIBITED.

A	Version A	01-01-16	M.P.
REV.	DESCRIPTION	DATE	BY