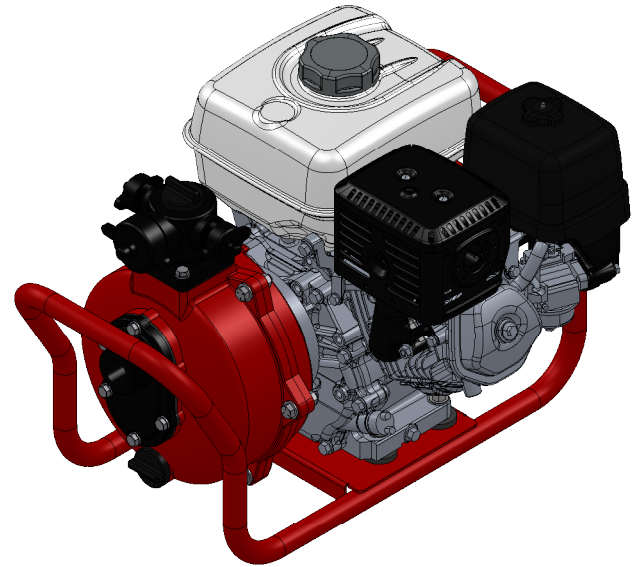
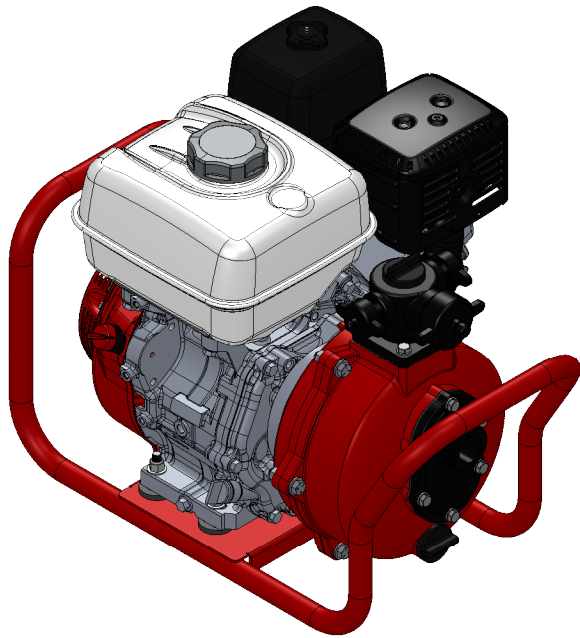
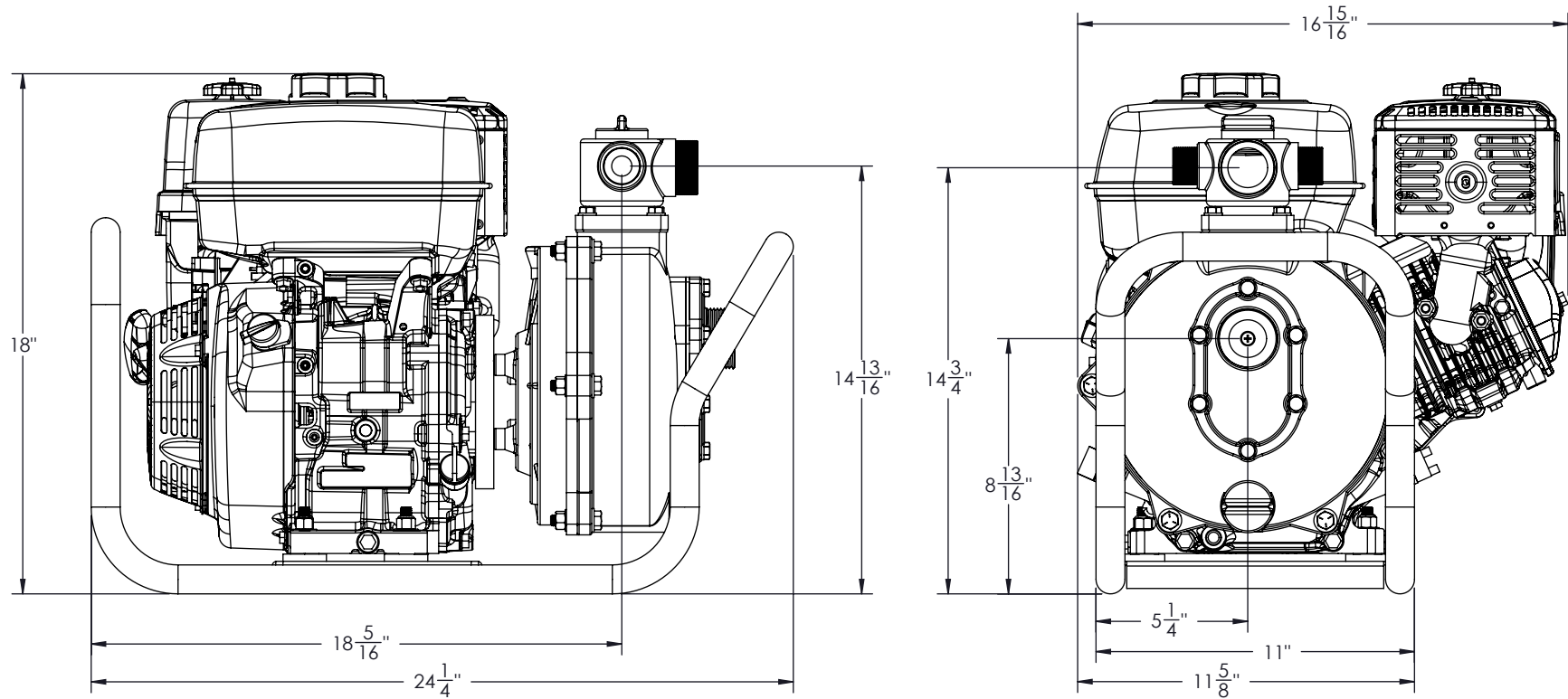


PORTABLE FIRE PUMP
PFP-9hpHND-M-TWIN
GX270 HONDA WITH HIGH-PRESSURE PUMP



WE CAN CUSTOMIZE AS YOU WANT



WET WEIGHT: 173lbs



nqa.
ISO 9001
Registered
Quality
Management

CREATED
BY: M.V.
DATE: 27-10-15
VERIFIED
BY: M.P.
DATE: 10-05-16

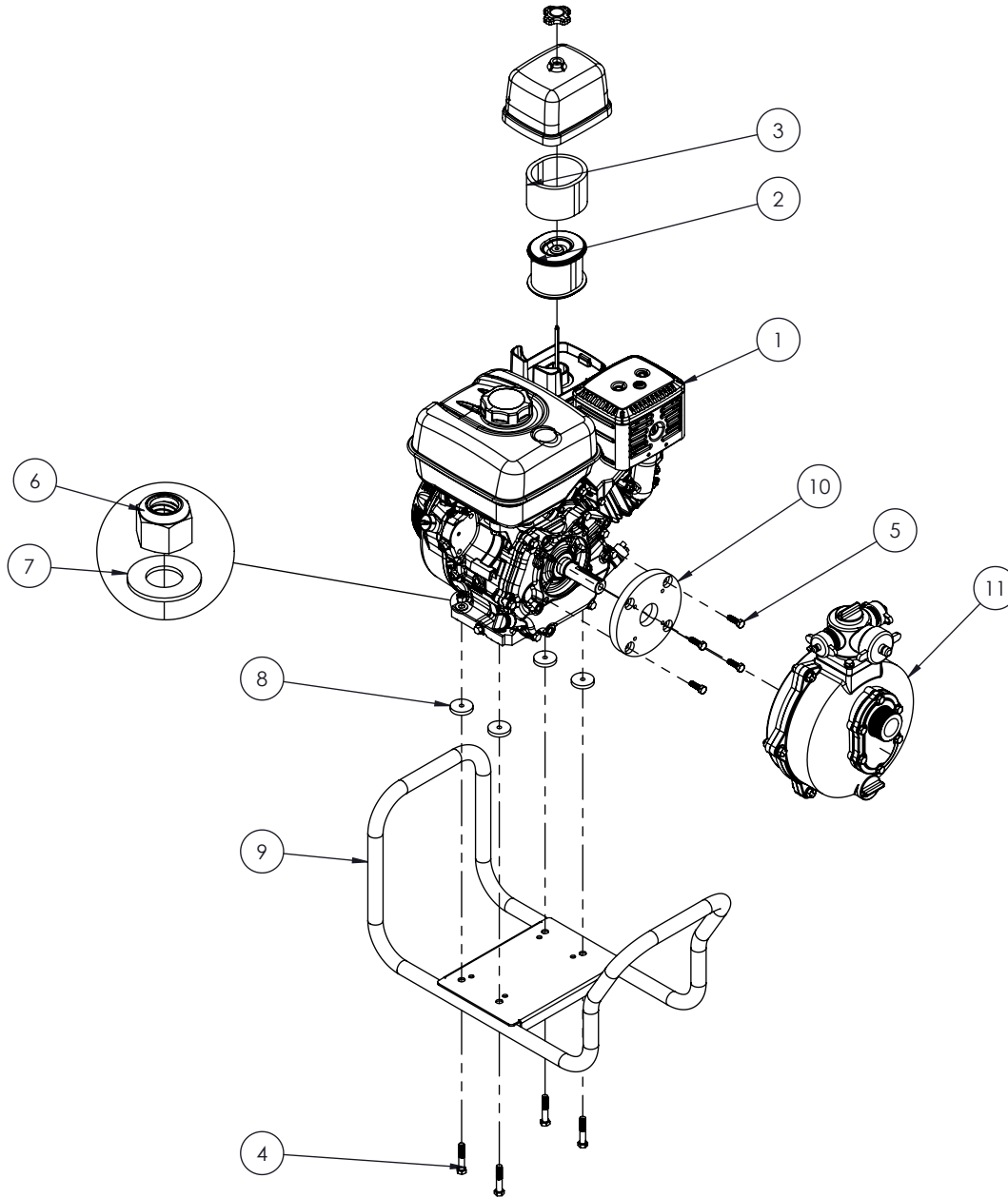
TITLE : PFP-9hpHND-M-TWIN
HALF FRAME
No: PO-10TW-0703-A

WARNING

THIS DOCUMENT REMAINS THE PROPERTY OF C.E.T. FIRE PUMPS MFG.
ALL REPRODUCTION WITHOUT WRITTEN AGREEMENT FROM C.E.T. FIRE PUMPS MFG IS TOTALLY PROHIBITED.

REV.	DESCRIPTION	DATE	BY
A	Version A	01-01-16	M.P.

NO	PART NUMBER	DESCRIPTION	QTY
1	001-PP1-005	HONDA ENGINE (GX270), MANUAL 9hp GAS	1
2	003-PP1-104	AIR FILTER	1
3	003-PP1-111	AIR FILTER FOAM	1
4	022-PP1-009	HEX. BOLT 3/8"-16 x 2" (Gr.5 ZINC)	4
5	022-PP1-451	HEX. BOLT 5/16"-24 x 1" (SS)	4
6	023-PP1-001	HEX. NYLON LOCKNUT 3/8"-16	4
7	024-PP1-009	FLAT WASHER 3/8" int. x 7/8" ext.	4
8	025-PP1-015	RUBBER WASHER 0.312" INT x 1.5" EXT. x 1/4" TK	4
9	PO-0000-1724	HALF FRAME	1
10	PO-0000-3603	ADAPTER	1
11	PO-00TW-2102	GOLIATH PUMP	1



nqa.
ISO 9001
Registered
Quality
Management

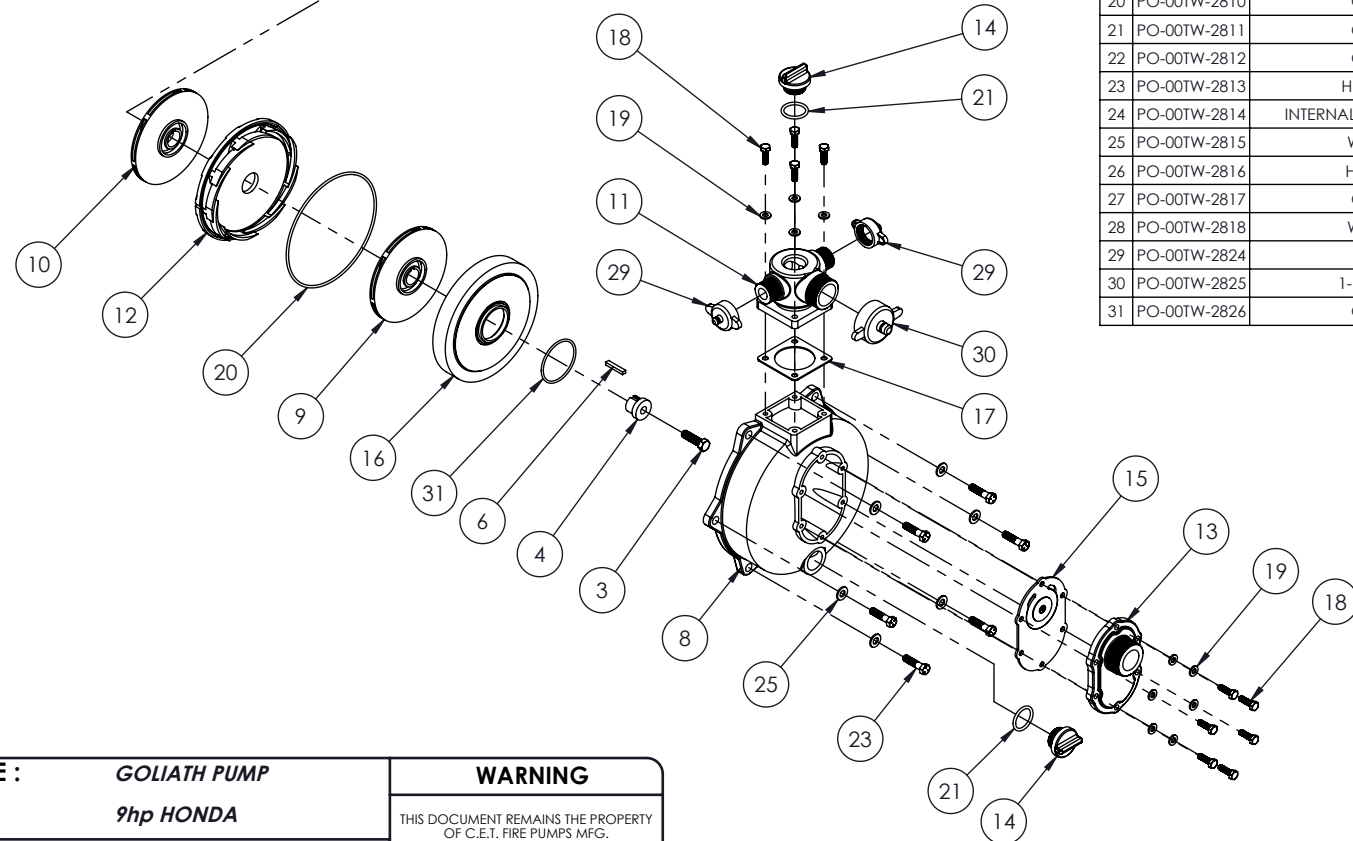
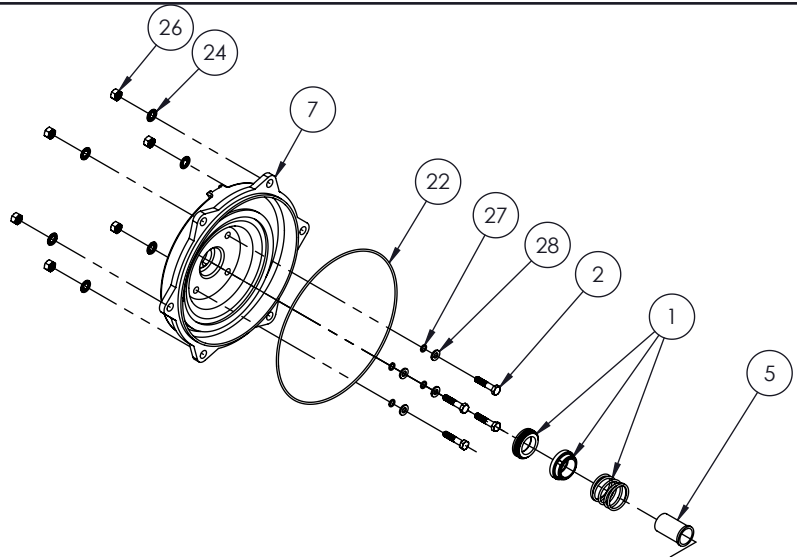
CREATED
BY: M.V.
DATE: 27-10-15
VERIFIED
BY: M.P.
DATE: 10-05-16

TITLE : PFP-9hpHND-M-TWIN
HALF FRAME
No: PO-10TW-0703-A

WARNING

THIS DOCUMENT REMAINS THE PROPERTY OF C.E.T. FIRE PUMPS MFG.
ALL REPRODUCTION WITHOUT WRITTEN AGREEMENT FROM C.E.T. FIRE PUMPS MFG IS TOTALLY PROHIBITED.

A	Version A	01-01-16	M.P.
REV.	DESCRIPTION	DATE	BY



NO	PART NUMBER	DESCRIPTION	QTY
1	020-PP1-010	MECHANICAL SEAL 1" (SS)	1
2	022-PP1-402	HEX. BOLT 5/16"-18 x 1-1/2" (SS)	4
3	022-PP1-409	HEX. BOLT 7/16"-20 x 1-1/2" (SS)	1
4	060-PP1-057	SHAFT EXTENSION	1
5	060-PP1-074	BUSHING	1
6	PO-0000-2802	SHAFT KEY 1/4" x 3/16" x 1-3/8"	1
7	PO-00TW-2202	CASING	1
8	PO-00TW-2301	COVER	1
9	PO-00TW-2403	FRONT IMPELLER	1
10	PO-00TW-2404	REAR IMPELLER	1
11	PO-00TW-2702	MANIFOLD	1
12	PO-00TW-2703	STATOR	1
13	PO-00TW-2801	INTAKE	1
14	PO-00TW-2802	PLUG	2
15	PO-00TW-2803	INTAKE GASKET	1
16	PO-00TW-2804	HIGH PRESSURE IMPELLER COVER	1
17	PO-00TW-2807	MANIFOLD GASKET	1
18	PO-00TW-2808	HEX. BOLT	10
19	PO-00TW-2809	WASHER	10
20	PO-00TW-2810	O'RING	1
21	PO-00TW-2811	O'RING	2
22	PO-00TW-2812	O'RING	1
23	PO-00TW-2813	HEX. BOLT	6
24	PO-00TW-2814	INTERNAL LOCK WASHER	6
25	PO-00TW-2815	WASHER	6
26	PO-00TW-2816	HEX. NUT	6
27	PO-00TW-2817	O'RING	4
28	PO-00TW-2818	WASHER	4
29	PO-00TW-2824	1" CAP	2
30	PO-00TW-2825	1-1/2" CAP	1
31	PO-00TW-2826	O'RING	1



nqa.
ISO 9001
Registered
Quality
Management

CREATED
BY: M.V.
DATE: 23-10-15
VERIFIED
BY: M.P.
DATE: 06-11-15

TITLE : **GOLIATH PUMP**
9hp HONDA
No: **PO-00TW-2102**

WARNING
THIS DOCUMENT REMAINS THE PROPERTY
OF C.E.T. FIRE PUMPS MFG.
ALL REPRODUCTION WITHOUT WRITTEN
AGREEMENT FROM C.E.T. FIRE PUMPS MFG
IS TOTALLY PROHIBITED.

REV.	A	Version A	01-01-16	M.P.
		DESCRIPTION	DATE	BY