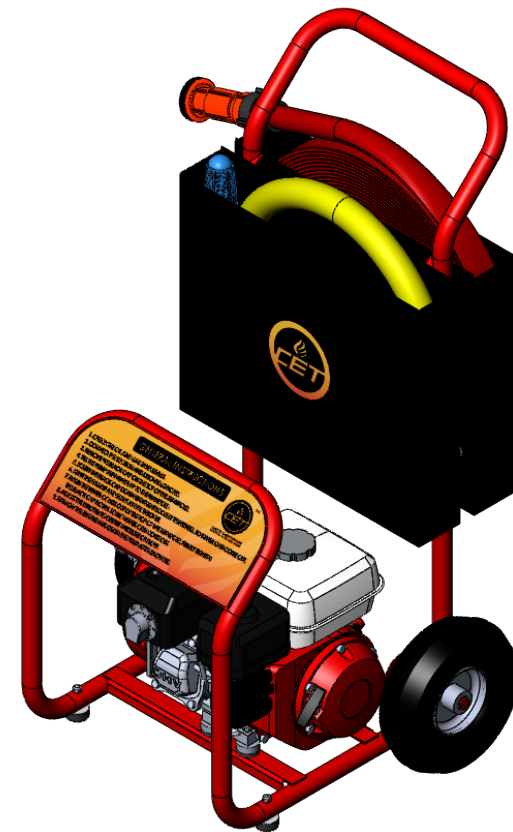
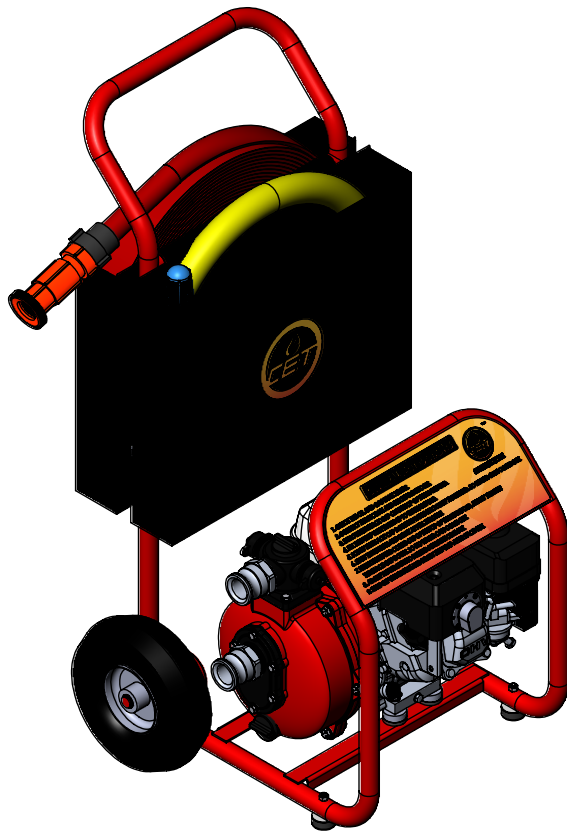
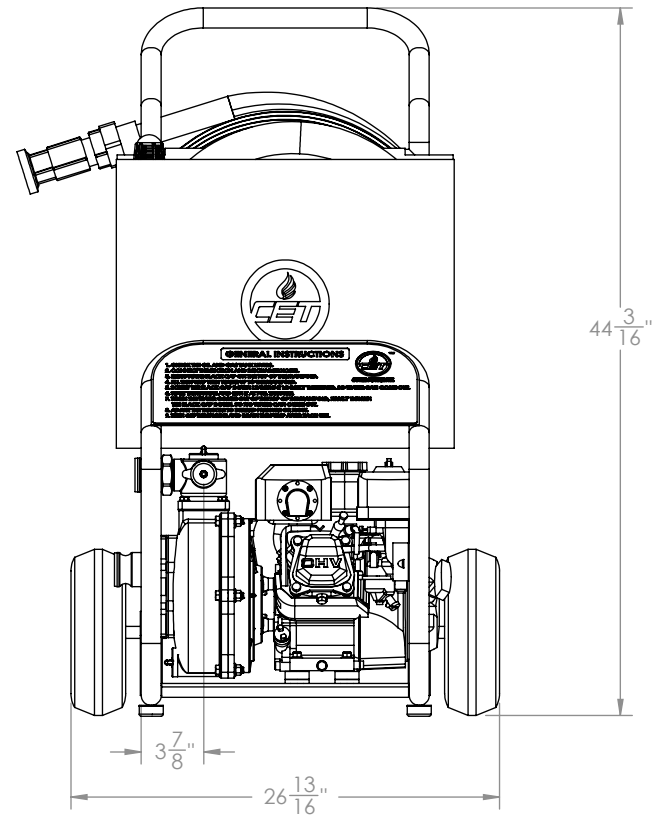
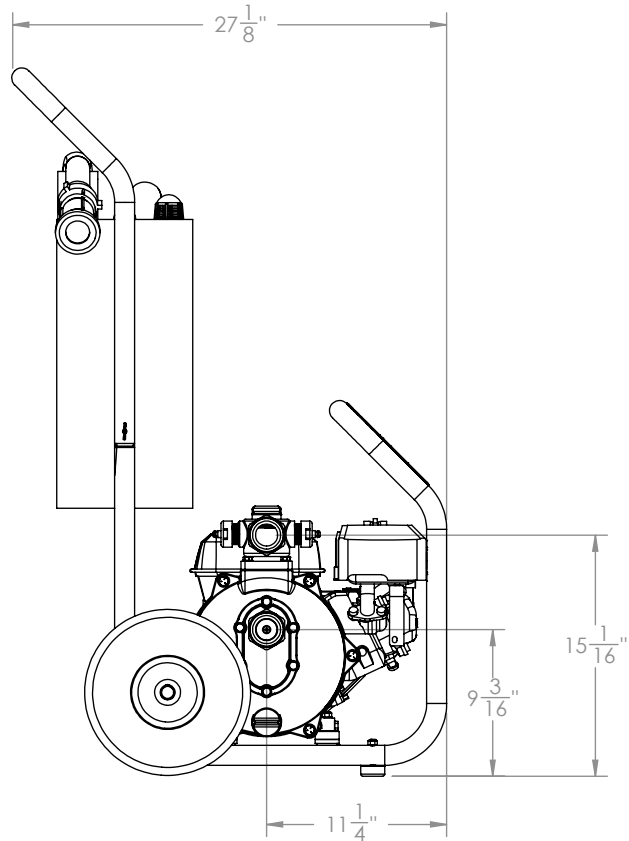


HIGH-PRESSURE PORTABLE PUMP
HT-PFP-6hpHND-M-TWIN
GX200 HONDA ENGINE WITH HIGH-PRESSURE PUMP



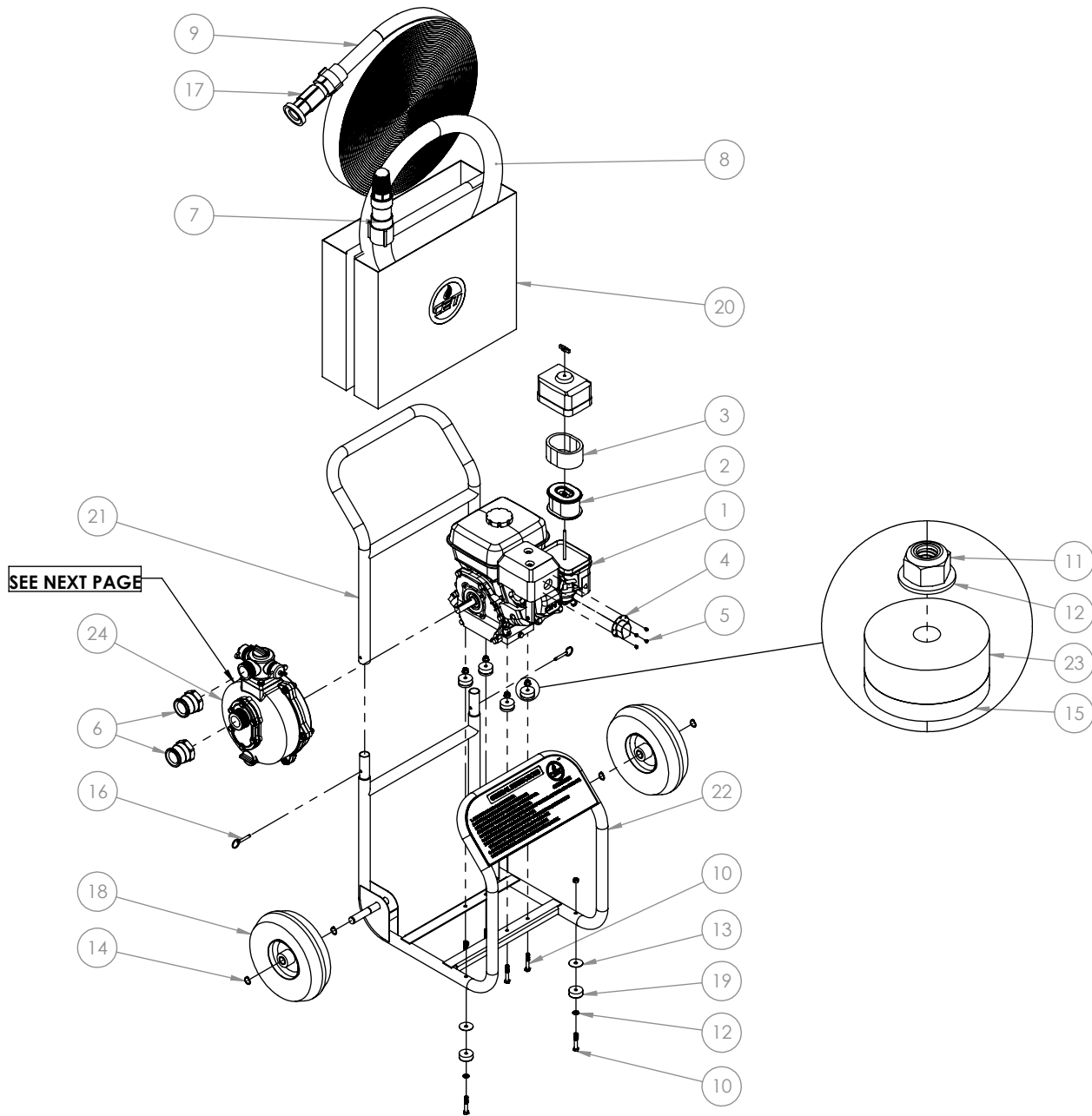
WE CAN CUSTOMIZE AS YOU WANT



WET WEIGHT: 125 lbs (56.8kg)

 ACCEPT ONLY THE BEST	 ISO 9001 Registered Quality Management	CREATED BY: M.P. DATE: 19-02-16	TITLE : HT-PFP-6hpHND-M-TW HAND TRUCK FRAME	WARNING THIS DOCUMENT REMAINS THE PROPERTY OF C.E.T. FIRE PUMPS MFG. ALL REPRODUCTION WITHOUT WRITTEN AGREEMENT FROM C.E.T. FIRE PUMPS MFG IS TOTALLY PROHIBITED.
		VERIFIED BY: M.P. DATE: 19-02-16	No: PO-04TW-0705-A	

REV.	DESCRIPTION	DATE	BY
------	-------------	------	----



SEE NEXT PAGE

NO	PART NUMBER	DESCRIPTION	QTY
1	001-PP1-007	HONDA ENGINE (GX200), MANUAL 6.5hp GAS	1
2	003-PP1-105	AIR FILTER	1
3	003-PP1-110	AIR FILTER FOAM	1
4	003-PP1-117	EXHAUST GAS DEFLECTOR	1
5	003-PP1-118	M4 x 0.7mm SCREW	4
6	015-PP1-182	1-1/2" CAM-LOCK HOSE COUPLING	2
7	021-PP1-008	STRAINER	1
8	021-PP1-522	1-1/2" x 10' SUCTION HOSE CAM-LOCK	1
9	021-PP1-523	1-1/2" x 100' DISCHARGE HOSE CAM-LOCK	1
10	022-PP1-016	HEX BOLT 5/16"-18 x 2"	6
11	023-PP1-005	HEX. NYLON LOCK NUT 5/16"-18	6
12	024-PP1-004	FLAT WASHER 5/16" ID x 3/4"OD	6
13	024-PP1-418	FLAT WASHER 5/16" ID x 1-1/2" OD (SS)	2
14	025-PP1-006	RETAINING RING	4
15	025-PP1-015	RUBBER WASHER 0.312" INT x 1.5" EXT. x 1/4" TK	4
16	025-PP1-119	1/4" x 1.3" QUICK RELEASE PIN	2
17	033-PP1-049	FOG SHUTT-OFF NOZZLE	1
18	060-PP1-008	WHEEL	2
19	060-PP1-014	FLAT TOP RECESSED BUMPER	2
20	060-PP1-248	ACCESSORIES BAG	1
21	PO-0000-1802	HANDLE	1
22	PO-0000-1803	BOTTOM FRAME	1
23	PO-0000-6706	ENGINE SPACER	4
24	PO-00TW-2101	GOLIATH PUMP	1



ACCEPT ONLY THE BEST



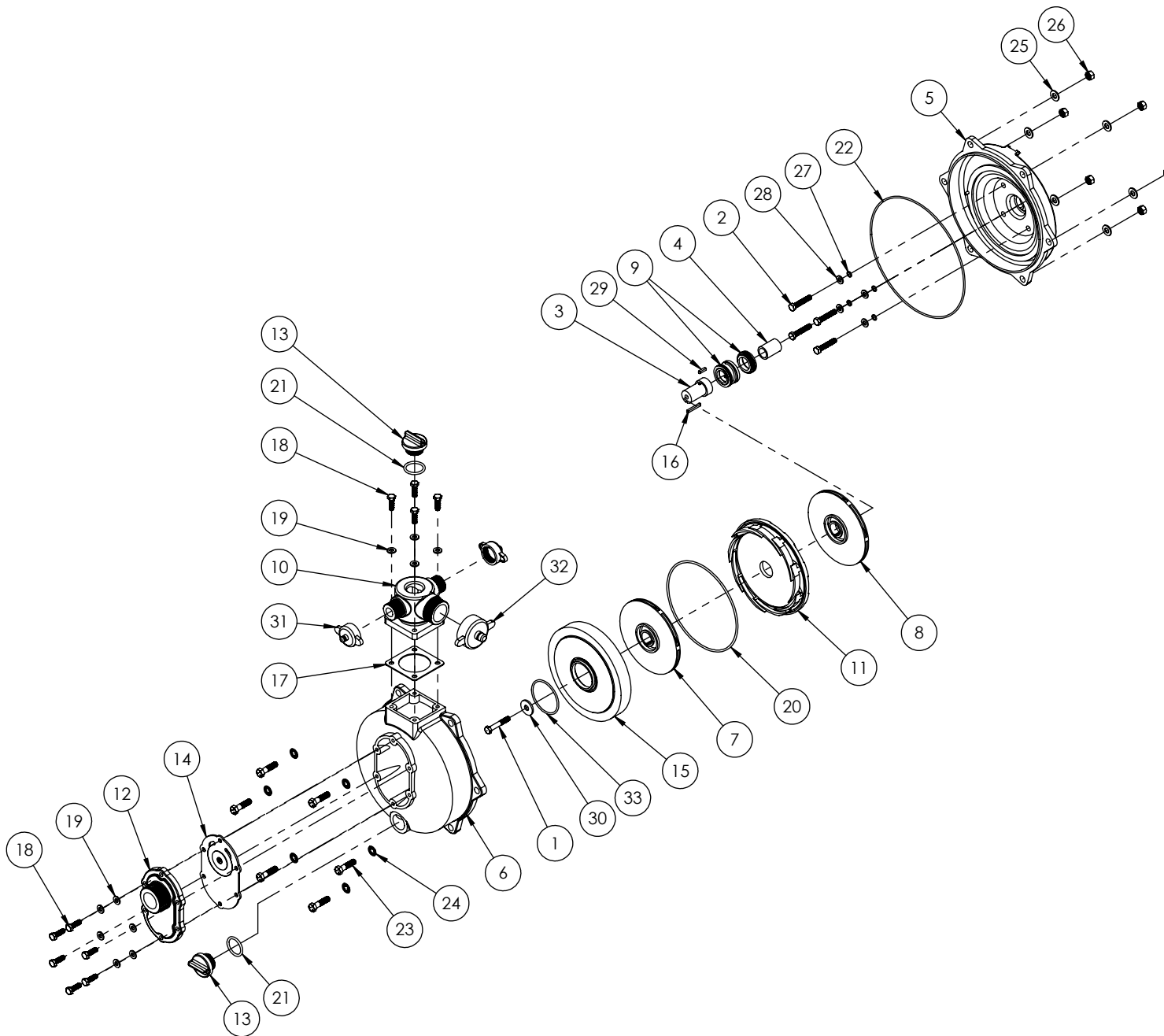
CREATED
BY: M.P.
DATE: 19-02-16
VERIFIED
BY: M.P.
DATE: 19-02-16

TITLE : HT-PPF-6hpHND-M-TW
HAND TRUCK FRAME
No: PO-04TW-0705-A

WARNING

THIS DOCUMENT REMAINS THE PROPERTY OF C.E.T. FIRE PUMPS MFG.
ALL REPRODUCTION WITHOUT WRITTEN AGREEMENT FROM C.E.T. FIRE PUMPS MFG IS TOTALLY PROHIBITED.

REV.	DESCRIPTION	DATE	BY



NO	PART NUMBER	DESCRIPTION	QTY
1	022-PP1-414	HEX. BOLT 5/16"-24 x 2" (SS)	1
2	022-PP1-427	HEX. BOLT 5/16"-24 x 1-3/4" (SS)	4
3	060-PP1-061	SHAFT EXTENSION	1
4	060-PP1-084	BUSHING	1
5	PO-00TW-2201	CASING	1
6	PO-00TW-2301	COVER	1
7	PO-00TW-2401	FRONT IMPELLER	1
8	PO-00TW-2402	REAR IMPELLER	1
9	PO-00TW-2701	MECHANICAL SEAL	1
10	PO-00TW-2702	MANIFOLD	1
11	PO-00TW-2703	STATOR	1
12	PO-00TW-2801	INTAKE	1
13	PO-00TW-2802	PLUG	2
14	PO-00TW-2803	INTAKE GASKET	1
15	PO-00TW-2804	HIGH PRESSURE IMPELLER COVER	1
16	PO-00TW-2806	IMPELLER KEY	1
17	PO-00TW-2807	MANIFOLD GASKET	1
18	PO-00TW-2808	HEX. BOLT	10
19	PO-00TW-2809	WASHER	10
20	PO-00TW-2810	O'RING	1
21	PO-00TW-2811	O'RING	2
22	PO-00TW-2812	O'RING	1
23	PO-00TW-2813	HEX. BOLT	6
24	PO-00TW-2814	INTERNAL LOCK WASHER	6
25	PO-00TW-2815	WASHER	6
26	PO-00TW-2816	HEX. NUT	6
27	PO-00TW-2817	O'RING	4
28	PO-00TW-2818	WASHER	4
29	PO-00TW-2820	SHAFT KEY	1
30	PO-00TW-2822	WASHER	1
31	PO-00TW-2824	1" CAP	2
32	PO-00TW-2825	1-1/2" CAP	1
33	PO-00TW-2826	O'RING	1

CREATED
BY: M.V.
DATE: 08-01-15

VERIFIED
BY: M.P.
DATE: 30-10-15

TITLE : GOLIATH PUMP
for GX200 HONDA

No: PO-00TW-2101

WARNING

THIS DOCUMENT REMAINS THE PROPERTY OF C.E.T. FIRE PUMPS MFG.

ALL REPRODUCTION WITHOUT WRITTEN AGREEMENT FROM C.E.T. FIRE PUMPS MFG IS TOTALLY PROHIBITED.

REV.	DESCRIPTION	DATE	BY