

SUBMERSIBLE SOLIDS HANDLING PUMP

Series: **8SWL-DS**

25 - 100 HP @ 1750 RPM

7.5 - 25 HP @ 1150 RPM

Discharge: 8"

Spherical solids handling: 3.5"



DISCHARGE

8", 125 lb, horizontal flange, slotted to accommodate 150 mm ISO flange.

LIQUID TEMPERATURE

104 °F (40 °C) continuous

VOLUTE

Cast iron ASTM A-48 class 30

MOTOR HOUSING

Cast iron ASTM A-48 class 30

SEAL PLATE

Cast iron ASTM A-48 class 30

IMPELLER

Design: enclosed dual vane with pump-out vanes on back side. Dynamically balanced.

Material: ductile iron ASTM A-536, 65-45-12.

SHAFT

416 series stainless steel

HARDWARE

300 series stainless steel

O-RINGS

Buna-N

LIFTING BAIL

300 series stainless steel

MAX. SUBMERGENCE

66 ft (20 m)

PAINT

Epoxy

DOUBLE MECHANICAL SEAL

Design: tandem, mechanical, in oil filled reservoir.

Material: inboard rotating faces, carbon; stationary faces, ceramic. Outboard rotating and stationary faces, silicon carbide. Buna-N elastomer and 300 series stainless steel hardware.

CORD ENTRY

40 ft cord, epoxy sealed housing, with secondary pressure grommet for sealing and strain relief.

BEARINGS

Upper: ball, single row and oil lubricated, for radial load.

Lower: ball, double row and oil lubricated, for radial and thrust loads.

MOTOR

NEMA three phase 208/230 & 460 V, premium efficiency, oil-filled, squirrel cage induction, inverted duty rated. Class H insulation. Requires overload protection in control panel.

MOISTURE SENSOR

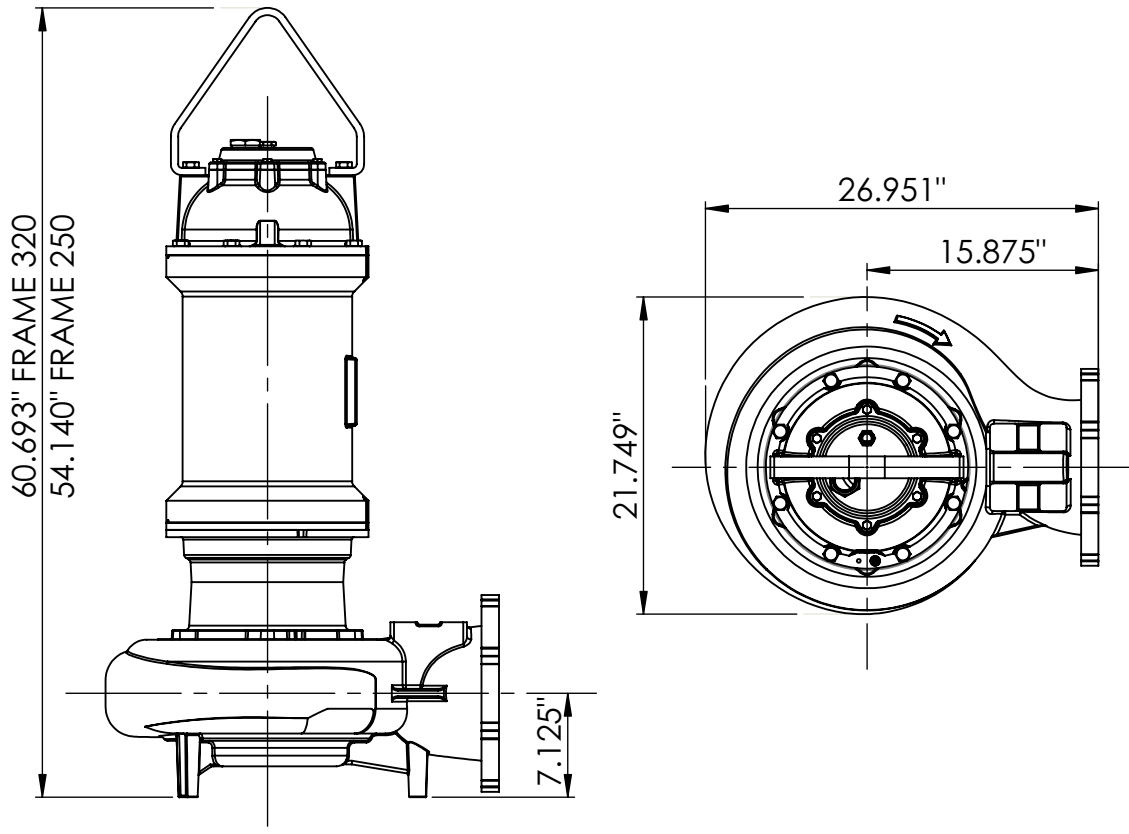
Normally open (N/O), requires relay and panel.

TEMPERATURE SENSOR

Normally closed (N/C), to be wired in series with control circuit.

OPTIONAL EQUIPMENT

Slide rail coupling, leg kit and seal material.

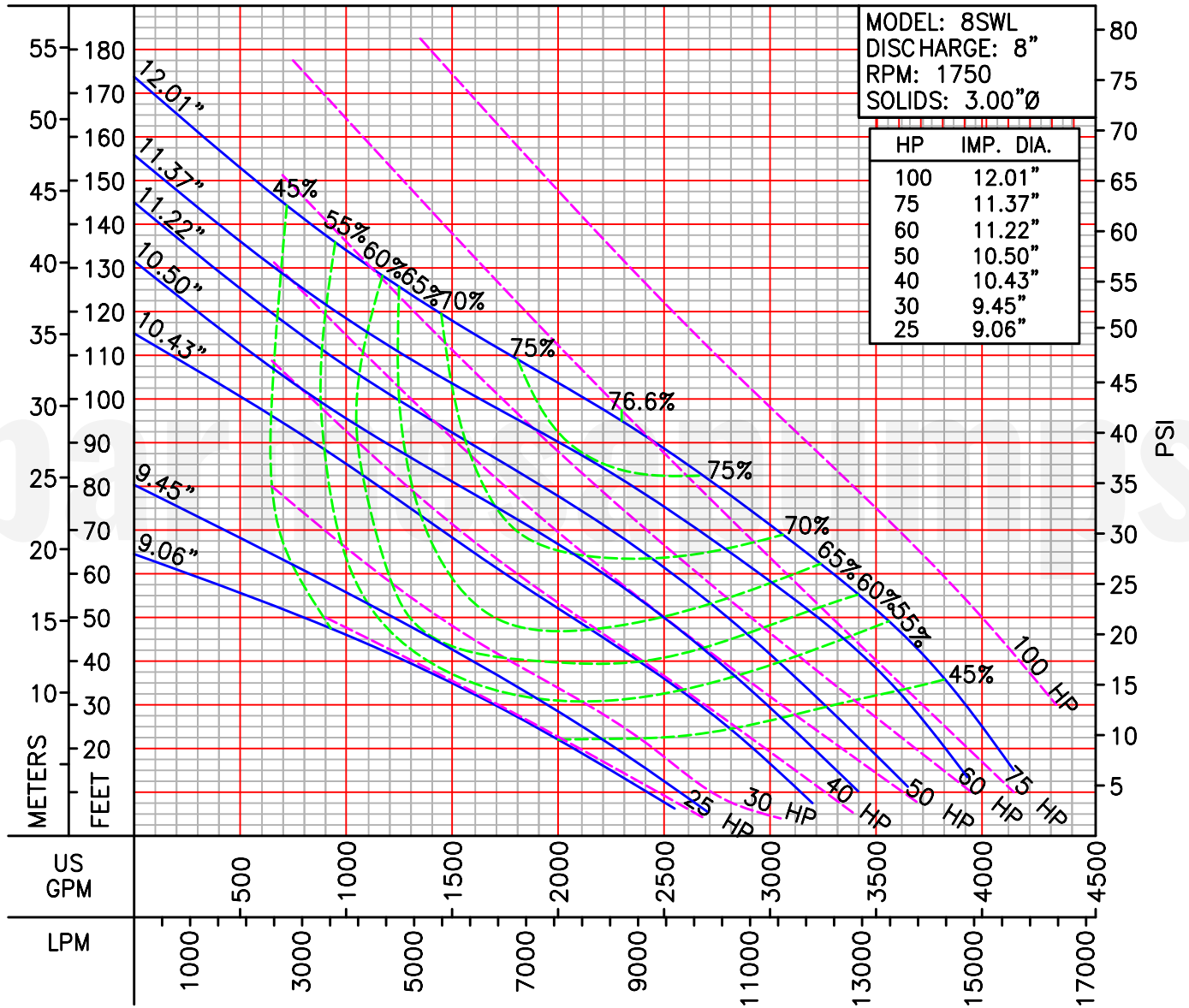


MODEL	PART No.	HP	PH	VOLTS	RPM (nom)	NEMA START CODE	FULL LOAD AMPS	SF	AMPS SF	FRAME	POWER CORD SIZE	WEIGHT (lb)
8SWL25034DS	62172201	25	3	208/230	1750	G	65/59	1.15	74.8/67.8	250	2/3	-
8SWL25044DS	62172202			460			29.5		34			-
8SWL30034DS	62172203	30	3	208/230	1750	E	93.4/82.3	1.15	107/94	250	2/3	-
8SWL30044DS	62172204			460		F	46.7		53			-
8SWL40044DS	62172205	40	3	460	1750	E	48	1.15	55.2	250	2/3	-
8SWL50044DS	62172206	50	3	460	1750	F	65	1.15	74.8	320	2/3	-
8SWL60044DS	62172207	60	3	460	1750	E	76.6	1.15	88.1	320	2/3	-
8SWL75044DS	62172208	75	3	460	1750	G	105	1.15	120.7	320	2/3	-
8SWL100044DS	62172209	100	3	460	1750	E	132.5	1.15	152.4	320	2/3	-
8SWL7536DS	62172210	7.5	3	208/230	1150	J	22/20	1.15	23	250	10/4	-
8SWL7546DS	62172211			460			10		11.5			-
8SWL10036DS	62172212	10	3	208/230	1150	E	29/27	1.15	37/33	250	10/4	-
8SWL10046DS	62172213			460			13.5		18.4			-
8SWL15036DS	62172214	15	3	208/230	1150	H	47/43	1.15	54/49.4	250	2/3	-
8SWL15046DS	62172215			460			21.5		24.7			-
8SWL20036DS	62172216	20	3	208/230	1150	E	44.3/49.2	1.15	51/56.6	250	2/3	-
8SWL20046DS	62172217			460			24.6		28.3			-
8SWL25036DS	62172218	25	3	208/230	1150	G	72.9/68.7	1.15	83.8/66.6	320	2/3	-
8SWL25046DS	62172219			460			36.4		41.8			-

Note: Seal moisture and temperature sensor cord in all models size 18/5.

IMPORTANT!

1. Never use this pump to handle explosive liquids.
2. This pump is not approved to be used in swimming pools, recreational installations or any application where human contact may be common.
3. Moisture and temperature sensors must be connected to validate the warranty.
4. This pump is not appropriate for those applications specified as class 1 division 1 hazardous locations.



LIQUID: WATER
SPECIFIC GRAVITY: 1.00

TEMPERATURE: 70° F (21° C)
MAXIMUM DIA. SOLIDS: 3.00"Ø

