

SUBMERSIBLE NON-CLOG SEWAGE PUMP

Series: 3BWSE-DS
2 - 5 HP / 1750 RPM
Discharge: 3"
Spherical solids handling: 2½"



DISCHARGE

3", 125lb, flange horizontal.

LIQUID TEMPERATURE

104 °F (40 °C) continuous, 140 °F (60 °C) intermittent operation.

VOLUTE

Cast iron ASTM A-48 class 30.

MOTOR HOUSING

Cast iron ASTM A-48 class 30.

SEAL PLATE

Cast iron ASTM A-48 class 30.

IMPELLER

Design: 2 vane, semi-open, with vanes on back side.

Material: cast iron ASTM A-48 class 30.

SHAFT

416 series stainless steel.

SQUARE RINGS

Buna-N.

PAINT

Air dry enamel, water based.

SEAL

Design: dual, mechanical, oil filled chamber.

Material: silicon carbide with Viton type 01 outer seal, carbon ceramic with Buna-N type 01 inner seal, with stainless steel hardware.

HARDWARE

300 series stainless steel.

CORD ENTRY

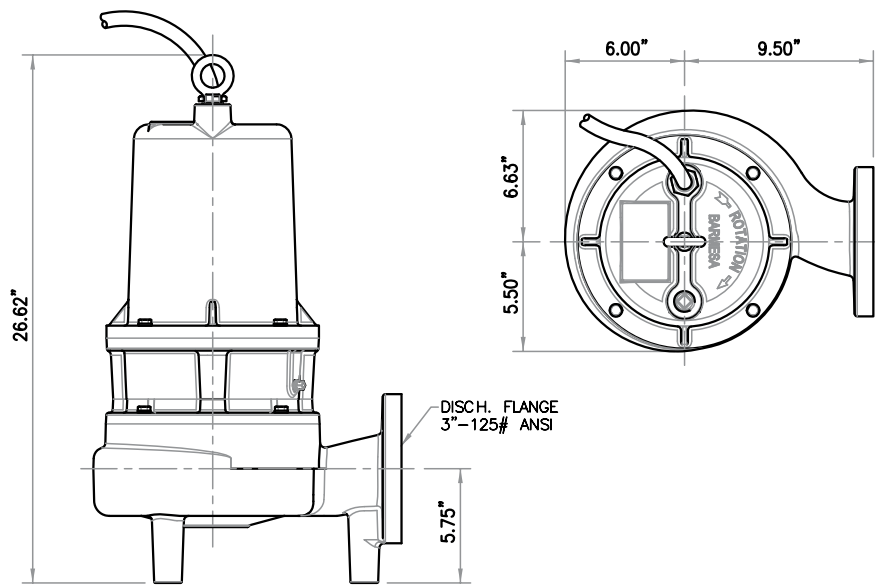
40 ft of cord, epoxy sealed housing with secondary pressure grommet for sealing and strain relief.

MOTOR

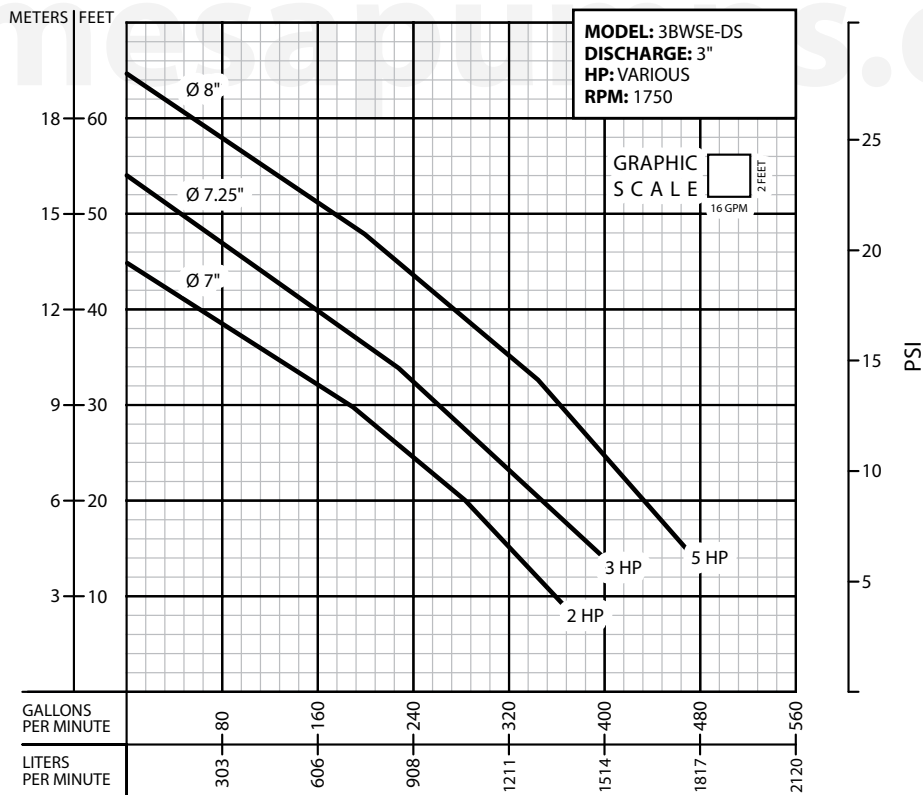
NEMA B, three phase, 200/230 & 460 volts, 60 Hz, 1750 RPM, oil filled, with class F insulation. Requires overload protection to be included in control panel.

OPTIONAL EQUIPMENT

Additional cord, tungsten carbide seal, slide rail coupling (SRC-3).



MODEL	PART No.	HP	VOLTS	PHASE	RPM (Nominal)	MAX AMPS	LOCKED ROTOR AMPS	NEMA CODE	CORD SIZE	CORD TYPE	WEIGHT (pounds)
3BWSE203DS	-	2	230	3	1750	10	40	F	14/4	STOW	194
3BWSE204DS	-	2	460	3	1750	5	20	F	14/4	STOW	194
3BWSE303DS	-	3	230	3	1750	12	49.5	H	14/4	STOW	200
3BWSE304DS	-	3	460	3	1750	6	24.8	H	14/4	STOW	200
3BWSE503DS	-	5	230	3	1750	16.4	63.6	E	10/4	STOW	205
3BWSE504DS	-	5	460	3	1750	8.2	31.8	E	14/4	STOW	205



IMPORTANT!

1. Never use this pump to handle explosive liquids.
2. This pump is not approved to be used in swimming pools, recreational installations or any application where human contact may be common.
3. Pump may be operated "dry" for extended periods without damage to motor and/or seals.
4. Testing is performed with water specific gravity of 1.0 @ 68 °F (20 °C); other fluids may vary performance.