

SUBMERSIBLE NON-CLOG SEWAGE PUMP

Series: 2BSE411 & 2BSE511
0.4 & 0.5 HP / 1750 RPM
Discharge: 2"
Spherical solids handling: 2"



DISCHARGE

2" NPT, female, vertical.

LIQUID TEMPERATURE

104°F (40 °C) continuous.

VOLUTE

Cast iron ASTM A-48 class 30.

MOTOR HOUSING

Cast iron ASTM A-48 class 30.

SEAL PLATE

Cast iron ASTM A-48 class 30.

IMPELLER

Design: open, double vane.

Material: cast iron ASTM A-48 class 30, dynamically balanced, ISO G6.3.

SHAFT

416 series stainless steel.

O-RINGS

Square shaped Buna-N.

PAINT

Air dry enamel, water based.

SEAL

Design: single, mechanical, oil filled chamber.

Material: silicon carbide, with stainless steel hardware.

HARDWARE

300 series stainless steel.

CORD ENTRY

20 ft of neoprene cord SJTOW 14/3, sealed against moisture.

BEARINGS

Upper: ball, single row, oil lubricated, for radial load.

Lower: ball, single row, oil lubricated, for radial and thrust load.

MOTOR

NEMA L, single phase, permanent split capacitor, 115 & 230 volts, 60 Hz, 1750 RPM, oil filled, with overload protection in motor.

PUMP OPERATION

Manual or automatic float switch.

OPTIONAL EQUIPMENT

Additional cord and slide rail coupling (SRC-2).



SPECIFICATIONS

Submersible Non-Clog

Sewage Pump

Series: **2BSE411 & 2BSE511**

General:

Furnish and install a quantity of _____ Barmesa® Pumps submersible sewage pump(s), Model 2BSE_____, _____ HP, 1750 RPM, single phase, 60 Hz, _____ volts, with a 2 inch vertical bolt-on discharge flange connection. Each pump shall be capable of delivering the following performance, _____ U.S. GPM at _____ ft total dynamic head, with a shut off head of _____ ft TDH minimum.

Pump Design:

The centrifugal sewage pump(s) shall be capable of handling 2 inch diameter spherical solids, of raw, unscreened domestic sewage consisting of water, fibrous materials. The 115 volt pump(s) shall be capable of handling liquids with temperatures to 77 °F continuous, and the 230 volt 104 °F, and shall be capable of running dry for extended periods.

Pump Construction:

Castings: The volute, seal plates, impeller and motor housing shall be constructed of ASTM A-48 class 30 cast iron.

Strainer: Shall be steel construction with an industrial grade powder coating.

Coating/Hardware: Exterior surfaces shall have an industrial grade powder coating. All exposed hardware shall be 300 series stainless steel.

Gaskets: All gaskets shall be of the compression square ring type eliminating critical slip fits and the possibility of damage during service associated with sliding o-ring sealing arrangements.

Impeller: The impeller shall be of 2 vane, open type, non-clog design with pump out vanes on the back side. The impeller shall be dynamically balanced to ISO G6.3 specifications.

Mechanical seal: A dual seal arrangement shall consist of a Buna-N exclusion seal and a single mechanical design operating in an oil-filled seal cavity. The seal construction shall be carbon for the rotating face and ceramic for stationary face, 300 series stainless steel hardware, and all elastomer parts to be of Buna-N. The seal shall be commercially available and not a manufacturers proprietary design.

Motor: Design shall be of the split capacitor design for single phase units. The pump shall be designed to be non-overloading throughout the entire pump curve. The rotor and stator assembly shall be of the standard frame design and secured to the pump seal plate by four threaded fasteners allowing for easy serviceability.

The motor windings shall be of Class B insulation and operate in a sealed environment containing clean dielectric oil, making it capable of operating in a totally, partially or non-submerged condition for extended periods of time without damage due to the heat being generated. The used dielectric oil must be disposed of as non-hazardous waste. The motor shall meet the standard NEMA L for single phase.

Thermal Protection: All single phase motors shall have thermal protection with automatic reset.

Shaft: The pump shaft shall be of a one-piece design and shall be of 416 stainless steel.

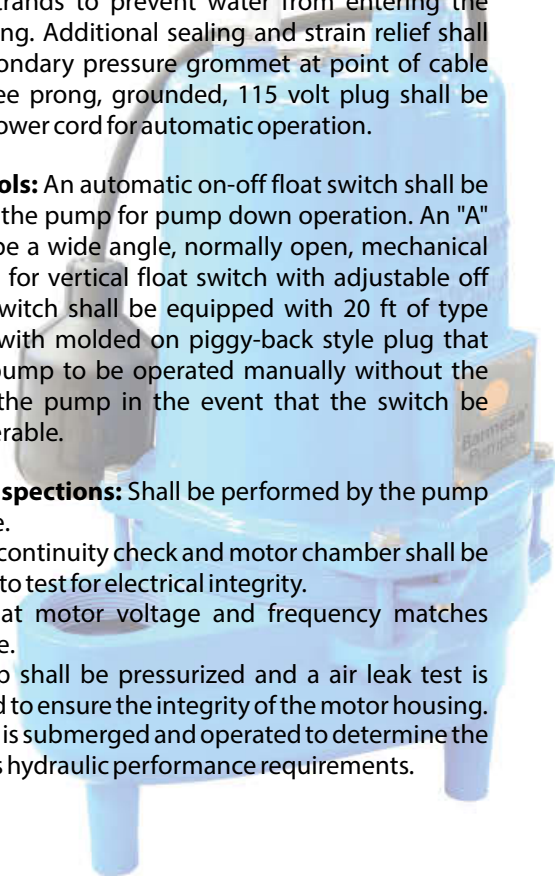
Bearings: The lower bearing shall be of the single row ball type to accept radial and thrust loads, and the upper bearing of the single ball type for radial loads. Bearings shall operate in an oil bath atmosphere for superior life.

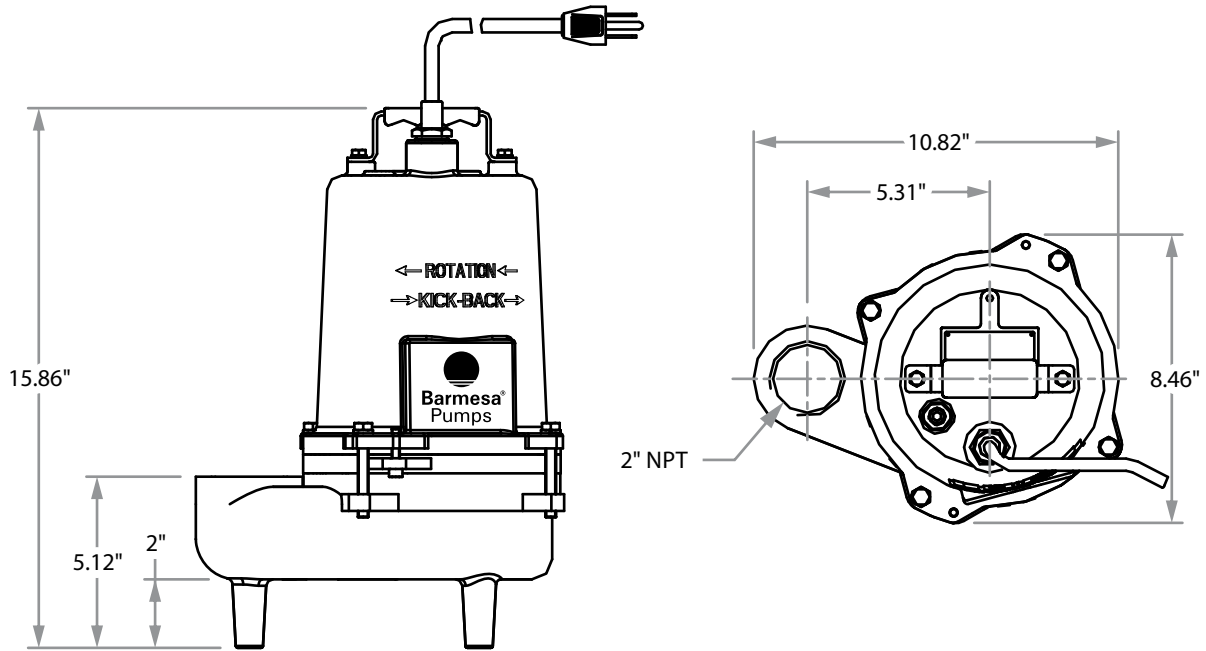
Power Cord: Shall be 20 ft. of type SJTW and connected to the motor via quick disconnect spade terminals. Crimp connected cords are not acceptable. Heat shrink tubes shall be used to connect power cord leads with motor leads. A master heat shrink tube shall be provided and filled with epoxy to seal the outer cable jacket and the individual strands to prevent water from entering the motor housing. Additional sealing and strain relief shall utilize a secondary pressure grommet at point of cable entry. A three prong, grounded, 115 volt plug shall be molded to power cord for automatic operation.

Level Controls: An automatic on-off float switch shall be mounted to the pump for pump down operation. An "A" series shall be a wide angle, normally open, mechanical tilt or a "VF" for vertical float switch with adjustable off point. The switch shall be equipped with 20 ft of type SJOW cord with molded on piggy-back style plug that allows the pump to be operated manually without the removal of the pump in the event that the switch becomes inoperable.

Tests and inspections: Shall be performed by the pump manufacture.

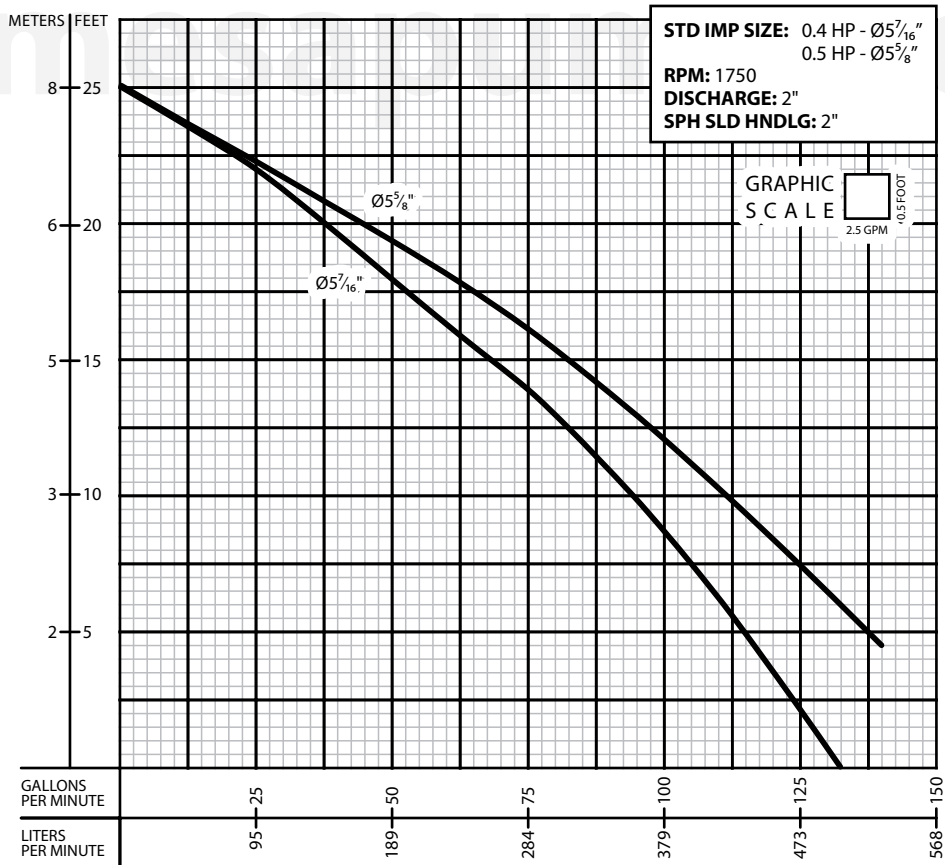
1. A ground continuity check and motor chamber shall be Hi-potted to test for electrical integrity.
2. Check that motor voltage and frequency matches name plate.
3. The pump shall be pressurized and a air leak test is performed to ensure the integrity of the motor housing.
4. The pump is submerged and operated to determine the unit meets hydraulic performance requirements.





MODEL	PART No.	HP	VOLTS	PHASE	RPM (Nominal)	MAX AMPS	LOCKED ROTOR AMPS	CORD SIZE	CORD TYPE	WEIGHT (pounds)
2BSE411	62180401	0.4	115	1	1750	12	22.5	14/3	SJTOW	53
2BSE411A	62180402	0.4	115	1	1750	12	22.5	14/3	SJTOW	55
2BSE421	62180403	0.4	230	1	1750	6.1	9.3	14/3	SJTOW	53
2BSE511A	62180404	0.5	115	1	1750	12	22.5	14/3	SJTOW	55

A = Automatic Float Switch.



IMPORTANT!

1. Never use this pump to handle explosive liquids.
2. This pump is not approved to be used in swimming pools, recreational installations or any application where human contact may be common.
3. Pump may be operated "dry" for extended periods without damage to motor &/or seals.
4. Testing is performed with water specific gravity of 1.0 @ 68 °F (20 °C); other fluids may vary performance.