

SUBMERSIBLE NON-CLOG SEWAGE PUMP

Series: 6BSE-HLDS
30-60 HP / 1750 RPM
Discharge: 6"
Spherical solids handling: 3"



DISCHARGE

6", 125 lb, flange horizontal.

LIQUID TEMPERATURE

104°F (40°C) continuous.

VOLUTE

Cast iron ASTM A-48 class 30.

WEARING RING

Bronze.

MOTOR HOUSING

Cast iron ASTM A-48 class 30.

SEAL PLATE

Cast iron ASTM A-48 class 30.

IMPELLER

Design: 3 vanes, closed, with vanes on back side.

Material: cast iron ASTM A-48 class 30.

SHAFT

416 series stainless steel.

SQUARE RINGS

Buna-N.

PAINT

Air dry enamel, water based.

DIAPHRAGM

Buna-N.

HARDWARE

300 series stainless steel.

SEAL

Design: double, mechanical, oil filled chamber.

Material: silicon carbide outboard seal, carbon ceramic inboard seal, Buna-N elastomer and stainless steel hardware.

CORD ENTRY

25 ft of neoprene cord 2/4 G, sealed against moisture.

BEARINGS

Upper: ball, single row, oil lubricated, for radial load.

Lower: ball, single row, oil lubricated, for radial and thrust load.

MOTOR

NEMA B, three phase, 200/230 & 460 volts, 60 Hz, 1750 RPM, oil filled. Requires overload protection to be included in control panel.

MOISTURE SENSOR

Normally open (N/O) included.

TEMPERATURE SENSOR

Normally closed (N/C) included.

OPTIONAL EQUIPMENT

Impeller trimming, additional cord, tungsten carbide seal, slide rail coupling (SRC-6).



SPECIFICATIONS

Submersible Non-Clog Sewage Pump Series: **6BSE-HLDS**

General:

Furnish and install a quantity of ____ Barmesa® Pumps submersible sewage pump(s), Model 6BSE____HLDS, ____HP, ____RPM, ____phase, 60 Hz, ____volts, with a 6 inch horizontal discharge 125 ANSI discharge flange connection. Each pump shall be capable of delivering the following performance, ____ US GPM at ____ ft total dynamic head, with a shut off head of ____ ft TDH minimum, and ____% efficiency at ____ US GPM at ____ft TDH operating point.

Pump Design:

The centrifugal non-clog pump(s) shall be capable of handling 3 inch diameter spherical solids of raw, unscreened domestic sewage consisting of water, fibrous materials. The pump(s) shall be capable of handling liquids with temperatures to 104 °F continuous, and shall be capable of running dry for extended periods.

Pump Construction:

Castings: The volute, seal plates, impeller and motor housing shall be constructed of ASTM A-48 class 30 cast iron.

Coating/Hardware: Exterior surfaces shall be painted with a water based air dry enamel. All exposed hardware shall be 300 series stainless steel.

Gaskets: All gaskets shall be of the compression square ring type eliminating critical slip fits and the possibility of damage during service associated with sliding o-ring sealing arrangements.

Impeller: The impeller shall be of ____ vane, non-clog design with pump out vanes on the back side. Single and multi-vane impellers shall be capable of being trimmed to meet specific performance characteristics. The impeller shall be dynamically balanced to ISO G6.3 specifications.

Double mechanical seal: Shall be of the single spring design operating in an oil-filled seal cavity. The inner seal shall be constructed of carbon for the rotating face and ceramic for the stationary face, 300 series stainless steel hardware, and all elastomer parts to be of Buna-N. The outer seal shall be of silicon carbide faces, 300 series stainless steel hardware, and all elastomer parts to be of Buna-N. The seal shall be commercially available and not a manufacturers proprietary design.

Seal leak sensor: A seal leak detection system consisting of two normally open (N/O) probes shall be installed in the pump seal chamber. These probes will detect any moisture present and shall be connected in series to an alarm device or motor starter coil which will alert the operator that moisture has been detected in the seal cavity.

Motor: Design shall be of the capacitor start and capacitor run and overload protection for single phase units. Capacitors shall be located in an external control box. The pump shall be designed to be non-overloading throughout the entire pump curve. The rotor and stator assembly shall be of the standard frame design and secured to the pump seal plate by four threaded fasteners allowing for easy serviceability.

The motor windings shall be of Class F insulation and operate in a sealed environment containing clean dielectric oil, making it capable of operating in a totally, partially or non-submerged condition for extended periods of time without damage due to the heat being generated. The used dielectric oil must be disposed of as non-hazardous waste. The motor shall meet the standard NEMA L for single phase and NEMA B for three phase.

Thermal Protection: Thermal sensors shall be used to monitor stator temperatures. The stator shall be equipped with a thermal switch embedded in the end coil of the stator winding. This shall be used in conjunction with and supplemental to external motor overload protection and wired to the control panel.

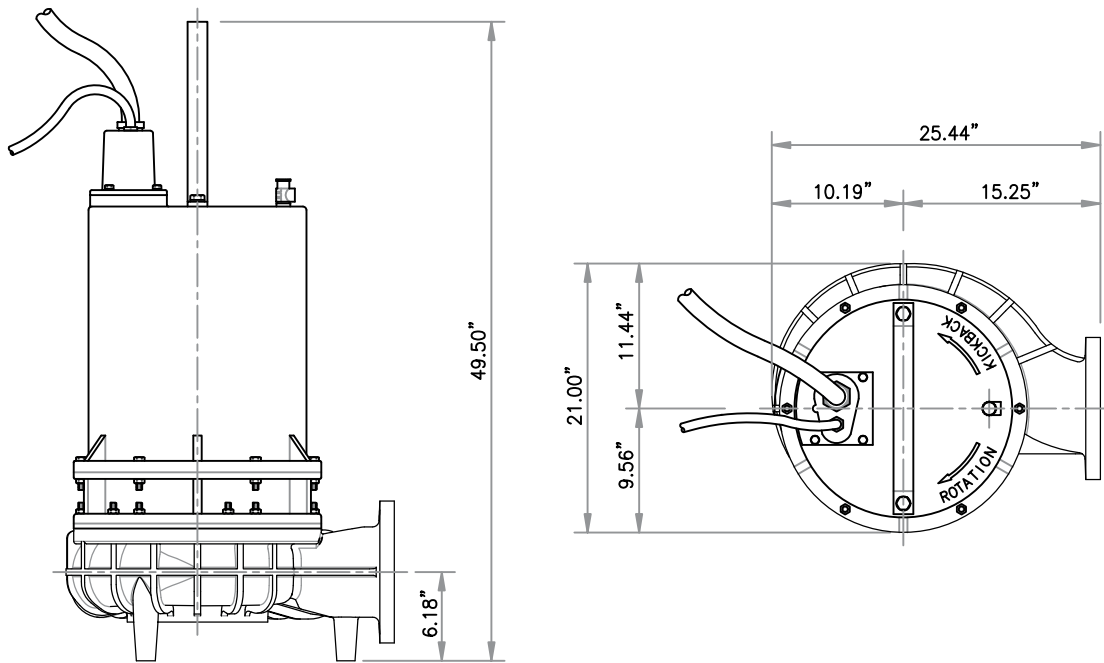
Shaft: The pump shaft shall be of a one-piece design and shall be of 416 stainless steel.

Bearings: The lower bearing shall be of the double row ball type to accept radial and thrust loads, and the upper bearing of the single ball type for radial loads. Bearings shall operate in an oil bath atmosphere for superior life.

Power/Control Cords: Shall be equipped with ____ ft of type SOW power and control cords. The cords shall enter a cast iron terminal box assembly that is bolted to the motor housing and sealed with a Buna-N o-ring. The incoming lead wires shall be spliced in the terminal box. After splicing, the terminal box shall be filled with epoxy to seal the outer cable jacket and the individual strands to prevent water from entering the motor housing. Additional sealing and strain relief shall utilize a secondary pressure grommet at point of cable entry.

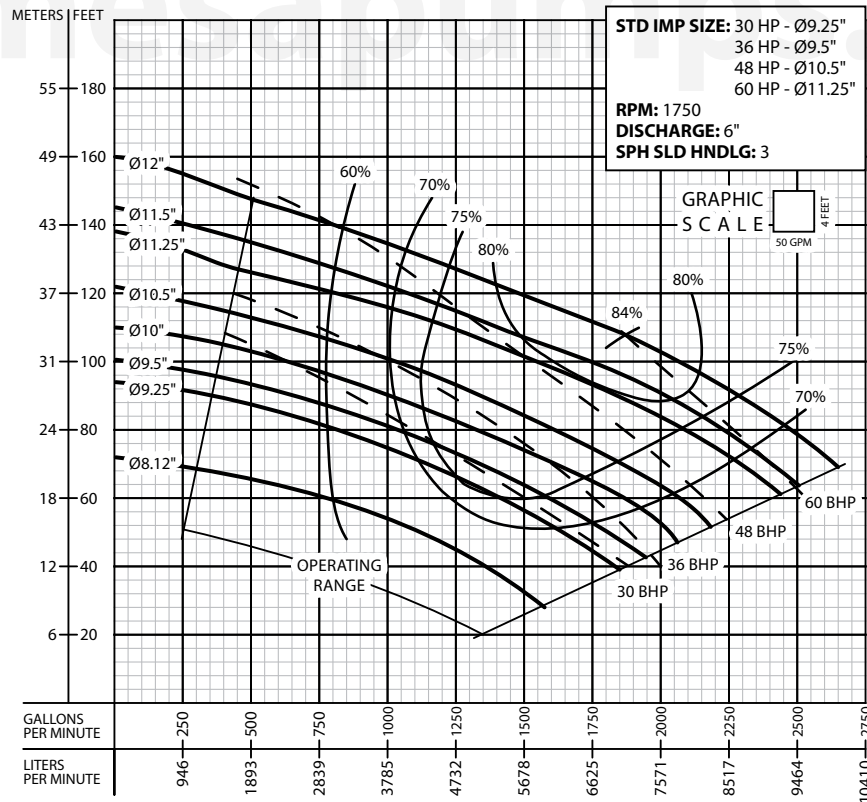
Tests and inspections: Shall be performed by the pump manufacture.

1. A ground continuity check and motor chamber shall be Hi-potted to test for electrical integrity.
2. Check that motor voltage and frequency matches name plate.
3. The pump shall be pressurized and a air leak test is performed to ensure the integrity of the motor housing.
4. The pump is submerged and operated to determine the unit meets hydraulic performance requirements.



MODEL	PART No.	HP	VOLTS	PHASE	RPM (Nominal)	MAX AMPS	LOCKED ROTOR AMPS	NEMA CODE	CORD SIZE	CORD TYPE	CORD O. D.	WEIGHT (pounds)
6BSE30034HLDS	62170301	30	230	3	1750	76	364	F	2/3	G	1.34"	957
6BSE30044HLDS	62170302	30	460	3	1750	38	182	F	2/3	G	1.34"	957
6BSE36034HLDS	62170303	36	230	3	1750	90	434	E	2/3	G	1.34"	963
6BSE36044HLDS	62170304	36	460	3	1750	45	217	F	2/3	G	1.34"	963
6BSE48044HLDS	62170305	48	460	3	1750	65	290	E	2/3	G	1.34"	974
6BSE60044HLDS	62170306	60	460	3	1750	78	363	E	2/3	G	1.34"	1005

The moisture cord and/or temperature cord is size 18/5, type SO, Ø0.485", for all models.



IMPORTANT!

1. Never use this pump to handle explosive liquids.
2. This pump is not approved to be used in swimming pools, recreational installations or any application where human contact may be common.
3. Pump may be operated "dry" for extended periods without damage to motor &/or seals.
4. Testing is performed with water specific gravity of 1.0 @ 68 °F (20 °C); other fluids may vary performance.