

SUBMERSIBLE GRINDER PUMP

Series: BGP-DS
3, 5 & 7.5 HP
3500 RPM
Discharge: 2"



DISCHARGE

2" NPT, vertical.

LIQUID TEMPERATURE

104 °F (40 °C).

VOLUTE

Cast iron ASTM A-48, class 30.

MOTOR HOUSING

Cast iron ASTM A-48, class 30.

SEAL PLATE

Cast iron ASTM A-48, class 30.

IMPELLER

Design: 10 vanes, vortex with vanes on back side, dynamically balanced.

Material: Cast iron ASTM A-48, class 30.

Radial cutter: hardened 440C, stainless steel, hardness Rockwell C-55.

Shredding ring: hardened 440C, stainless steel, hardness Rockwell C-55.

SHAFT

420 series stainless steel.

SQUARE RINGS

Buna-N.

HARDWARE

Stainless steel.

PAINT

Air dry enamel, water based.

SEAL

Design: double, mechanical, oil lubricated.

Material: silicon carbide outboard, carbon ceramic inboard, Buna-N elastomer and stainless steel hardware.

CORD ENTRY

25 ft of neoprene cord, sealed against moisture.

BEARINGS

Ball, single row, oil lubricated.

MOTOR

Single phase: NEMA L, permanent split capacitor (to be located in control panel), 230 volts, 60 Hz, 3500 RPM, oil filled. Class F insulation.

Three phase: NEMA B, 230 & 460 volts, 60 Hz, 3500 RPM, oil filled. Class F insulation.

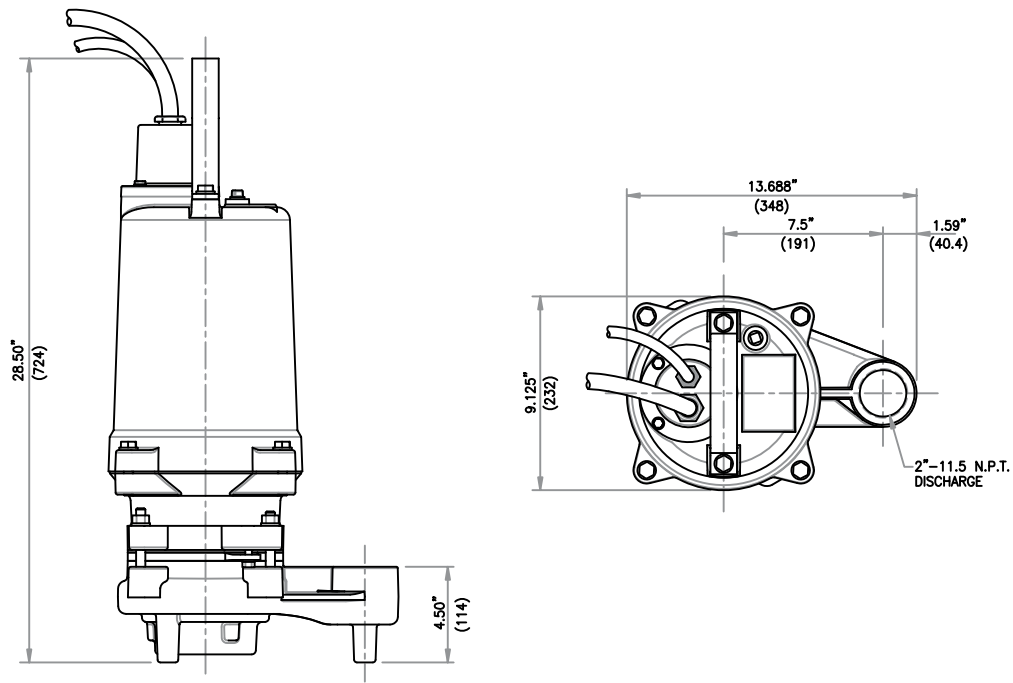
Requires overload protection to be included in control panel.

MOISTURE SENSOR

Normally open (N/O) included.

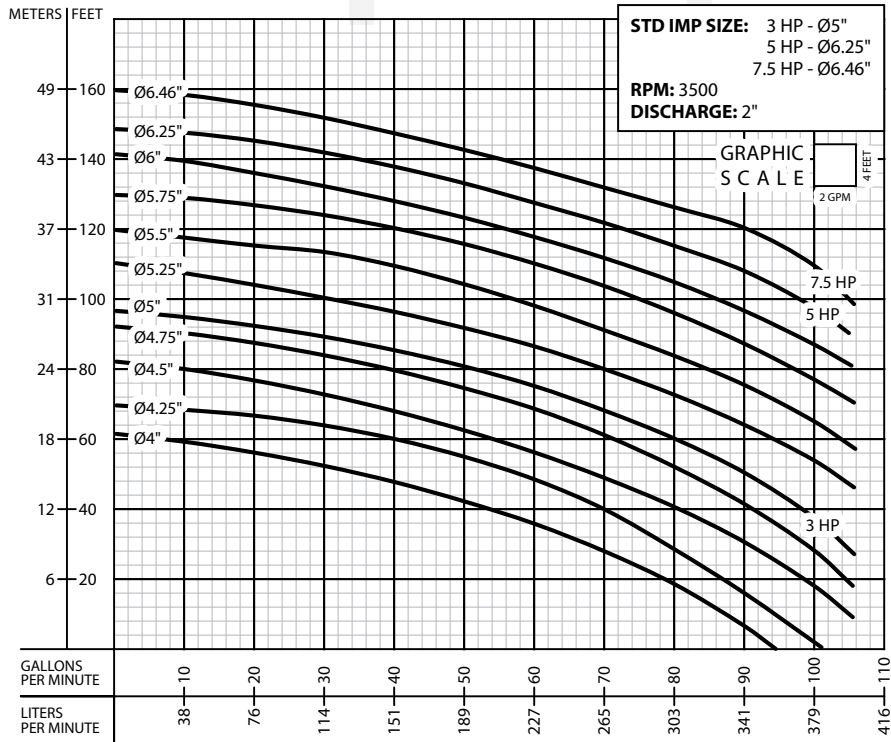
OPTIONAL EQUIPMENT

Additional cord, tungsten seal, slide rail coupling (SRC-2).



MODEL	PART No.	HP	VOLTS	PHASE	RPM (nominal)	MAX AMPS	LOCKED ROTOR AMPS	NEMA CODE	CORD SIZE	CORD TYPE	WEIGHT (pounds)
BGP302DS	62170605	3	230	1	3500	23	75	G	10/4C	SO	188
BGP303DS	62170606	3	230	3	3500	13	56.6	K	10/4C	SO	188
BGP304DS	62170607	3	460	3	3500	6.5	28.3	K	10/4C	SO	188
BGP502DS	62170608	5	230	1	3500	39	117	H	8/4C	SO	199
BGP503DS	62170609	5	230	3	3500	20	81.4	L	10/4C	SO	199
BGP504DS	62170610	5	460	3	3500	10	40.7	L	10/4C	SO	199
BGP753DS	62170611	7.5	230	3	3500	24	102	J	10/4C	SO	203
BGP754DS	62170612	7.5	460	3	3500	12	51	J	10/4C	SO	203

The moisture cord and/or temperature cord is size 18/5, type SO, Ø0.485", for all models.



IMPORTANT!

1. Never use this pump to handle explosive liquids.
2. This pump is not approved to be used in swimming pools, recreational installations or any application where human contact may be common.
3. Pump may be operated "dry" for extended periods without damage to motor &/or seals.
4. Testing is performed with water specific gravity of 1.0 @ 68 °F (20 °C); other fluids may vary performance.