

SUBMERSIBLE EFFLUENT / SUMP / UTILITY PUMP

SVEN series

Discharge: 2"

Spherical solids handling: 1.37"

0.5 & 1 HP / 3450 RPM



DISCHARGE

2" (5.08 cm) NPT vertical, cast iron ASTM A-48, class 20. Adapter included.

LIQUID TEMPERATURE

104 °F (40 °C)

PUMP CASING

Cast iron ASTM A-48 class 30

MOTOR HOUSING

Cast iron ASTM A-48 class 30

OIL CHAMBER

Cast iron ASTM A-48 class 30

IMPELLER

Design: 8 vane, semi-open, vortex.

Material: Hytrel®

SHAFT

410 AISI stainless steel

HARDWARE

304 stainless steel and steel

O-RINGS

Nitrile rubber (NBR)

PAINT

Air dry enamel, water based.

SEAL

Design: double, mechanical, oil filled chamber.

Material: upper part of carbon-ceramic, lower part of silicon carbide. Stainless steel hardware.

CORD ENTRY

20 ft of neoprene cord, sealed against moisture.

BEARINGS

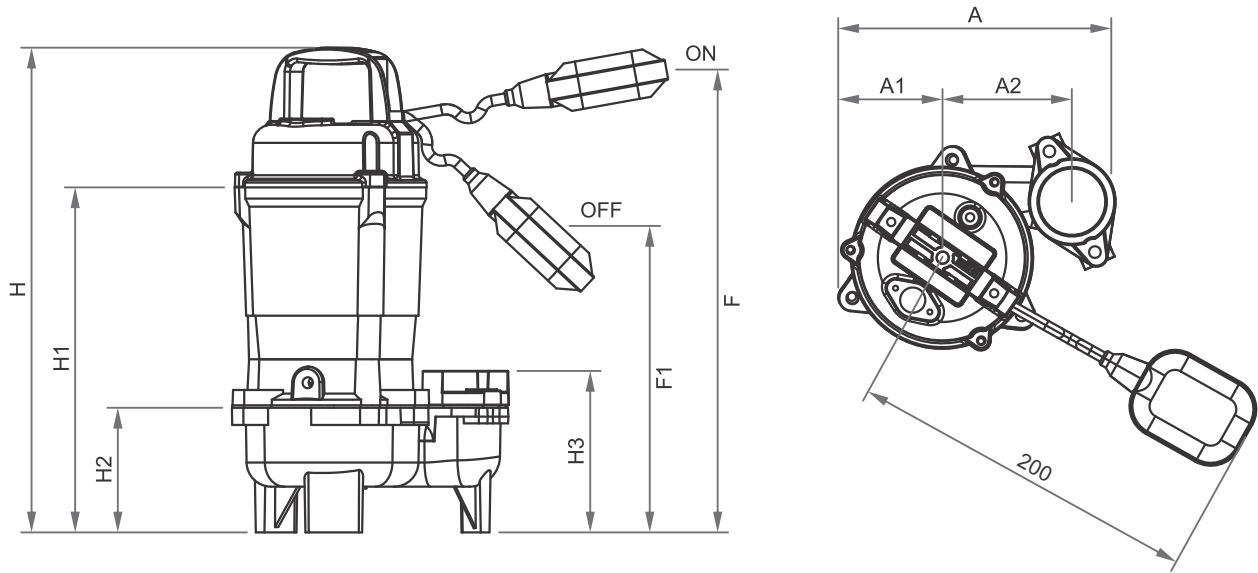
Ball, single row, permanently oil lubricated.

MOTOR

Dry type submersible motor, 1 & 3 phase, 115 & 230V, 60 Hz, 3450 RPM. Insulation class B and IP68 protection class.

HANDLE

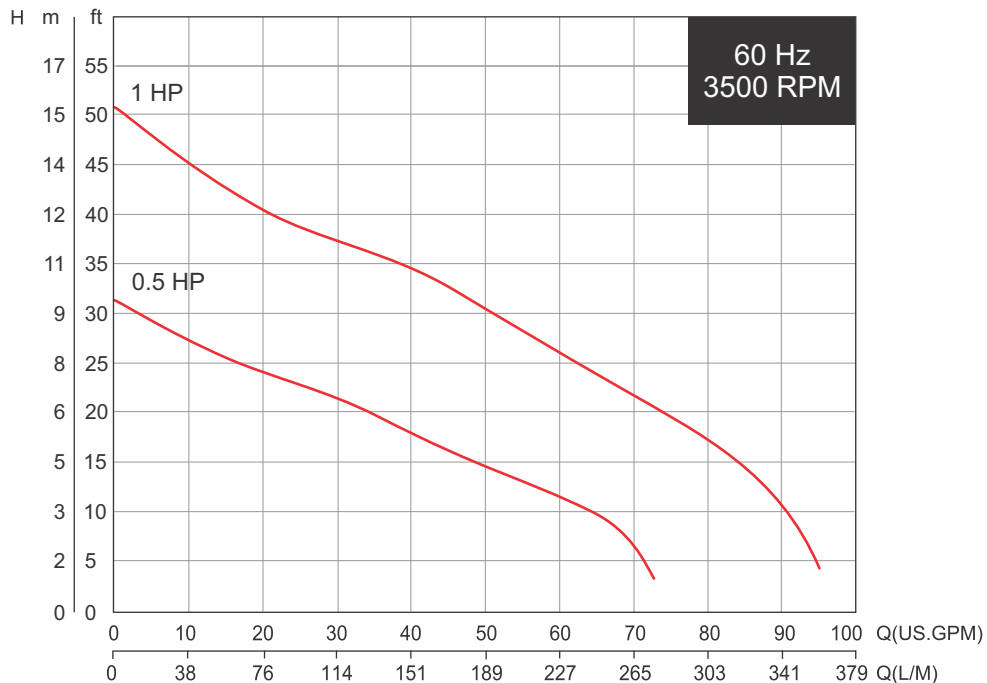
Nylon 6



MODEL	DIMENSIONS (inches)									WEIGHT (pounds)
	A	A1	A2	H	H1	H2	H3	F	F1	
2SVEN-051A	9.5	3.1	4.6	15.6	8.6	4	5.1	16.5	8.6	31.5
2SVEN-101A	9.5	3.1	4.6	17.3	10.4	4	5.1	18.2	10.4	38.1
2SVEN-102A	9.5	3.1	4.6	17.3	10.4	4	5.1	18.2	10.4	38.1
2SVEN-103	9.5	3.1	4.6	17.3	10.4	4	5.1	-	-	37.4

MODEL	PART No.	HP	VOLTS	PH	AMPS	RATED RPM	RATED		MAX.	
							ft	GPM	ft	GPM
2SVEN-051A	70090031	0.5	115	1	6.6	3450	19.7	35	31	73
2SVEN-101A	70090032	1	115	1	12	3450	33	45	50.8	95
2SVEN-102A	70090033	1	230	1	6	3450	33	45	50.8	95
2SVEN-103	70090035	1	230	3	4	3450	33	45	50.8	95

A = Automatic Float Switch.



IMPORTANT!

1. Never use this pump to handle explosive liquids.
2. This pump is not approved to be used in swimming pools, recreational installations or any application where human contact may be common.
3. Pump may be operated "dry" for extended periods without damage to motor and/or seals.
4. Testing is performed with water specific gravity of 1.0 @ 68 °F (20 °C); other fluids may vary performance.