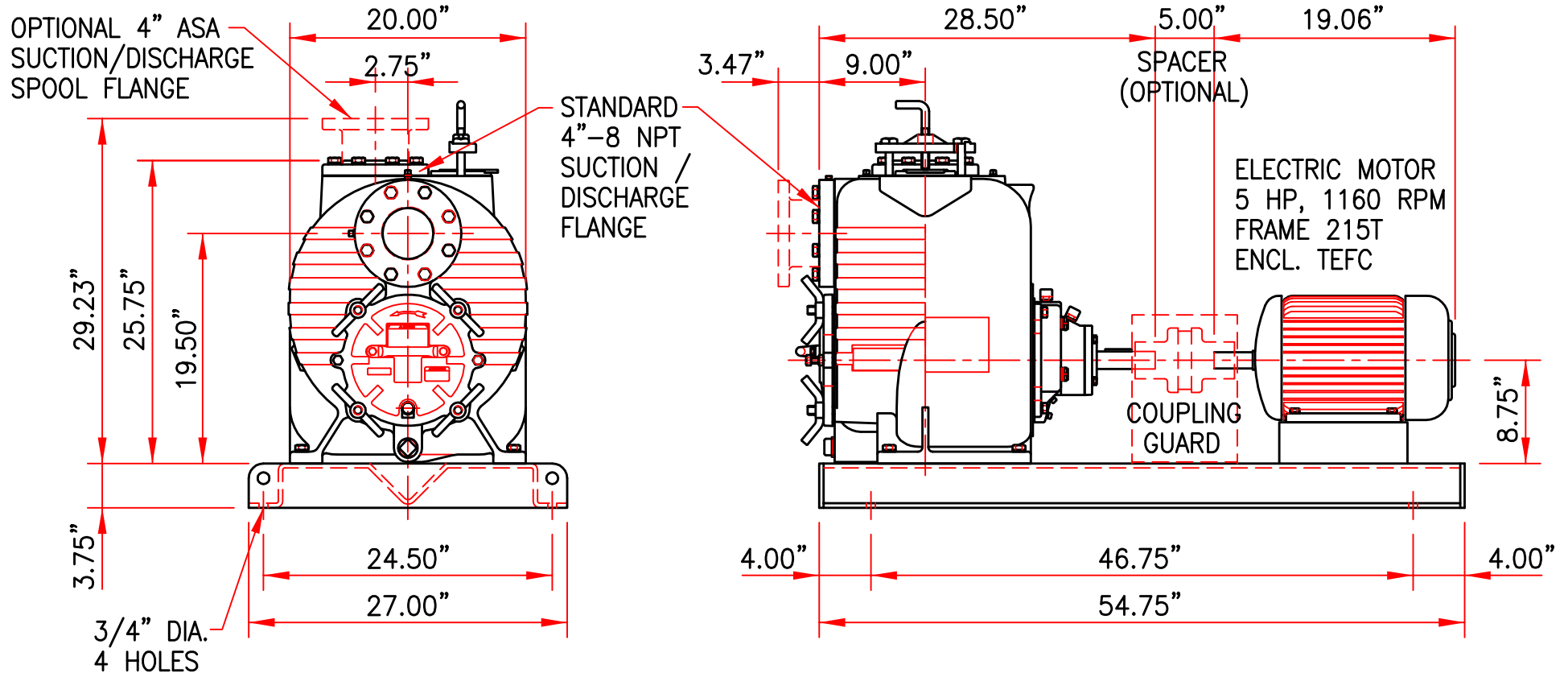


# SELF PRIMING CENTRIFUGAL PUMP MODEL: SH4U-5-6, GENERAL DIMENSIONS PUMP WITH BASEPLATE AND MOTOR



DIMENSIONS IN INCHES

## BARMESA PUMPS, LLC

DRAWN BY:  
LEOPOLDO MONTALVO