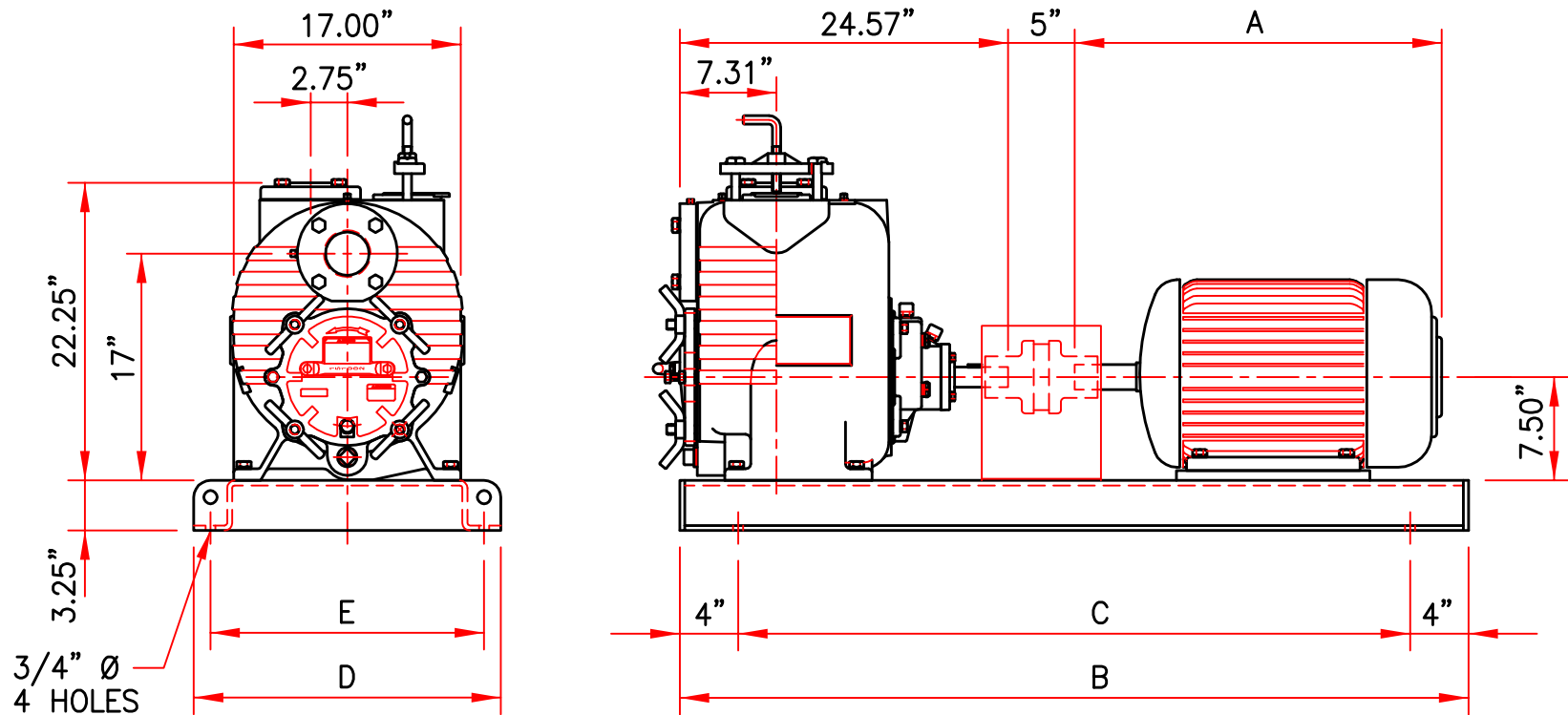


SELF PRIMING CENTRIFUGAL PUMP, MODEL SH3-U GENERAL DIMENSIONS WITH BASEPLATE



MOTOR FRAME	A	B	C	D	E
143T	12.75	44.75	32.00	23.00	20.50
145T		48.75	40.75		
182T	14.50	48.75	40.75		
184T	15.50				
213T	17.56	50.75	42.75		
215T	19.06				
254T	23.69	56.75	48.75		
284T	25.44				

DIMENSIONS IN INCHES

DRAWN BY:
LEOPOLDO MONTALVO