

# SLIDE RAIL COUPLING SRC-4

To be used with  
4BSE series pumps.



## LOCATION

This SRC-4 is designed for wet wells, tanks, or lift stations where it is necessary to remove a pump from service and reinstall the pump without maintenance personnel entering the pit to unbolt the pump flanges.

## STATIONARY ELBOW

Cast iron ASTM A-48 class 30.

## MOVABLE FITTING

Ductile iron ASTM A-536.

## GUIDE RAIL CAP

**Bracket:** 304 stainless steel.

**Plugs:** ductile iron ASTM A-536-84.

## HARDWARE

304 series stainless steel.

## O-RINGS

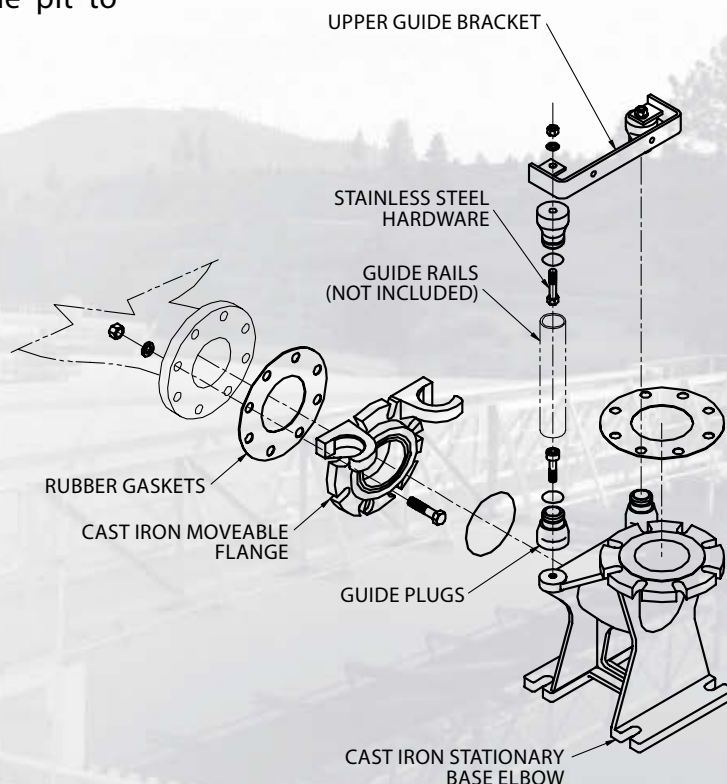
Buna-N, 70 ±5 Duro.

## GASKETS

Rubber.

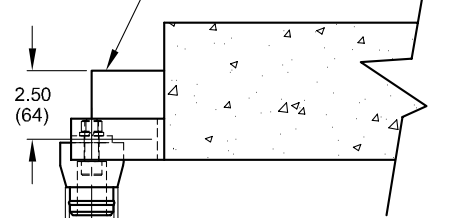
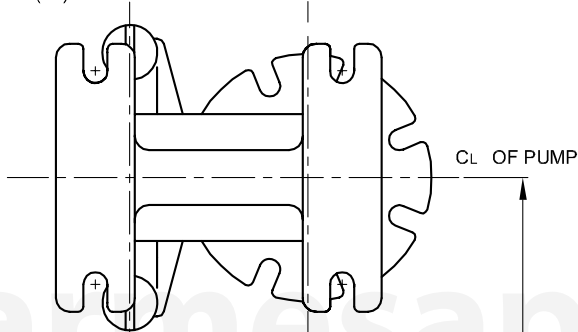
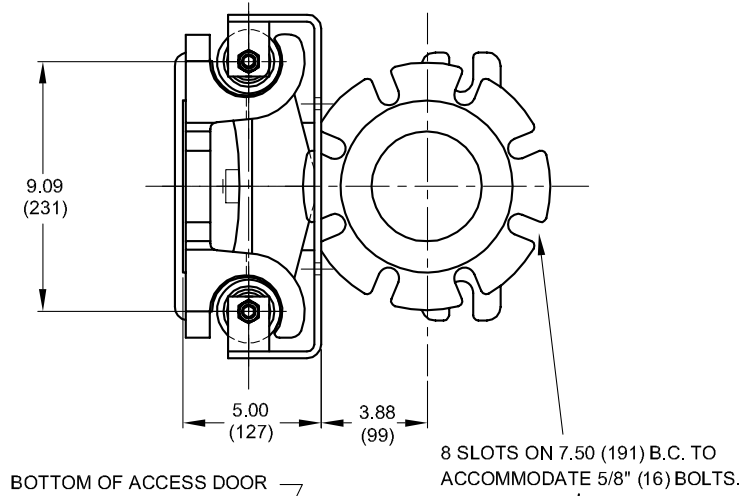
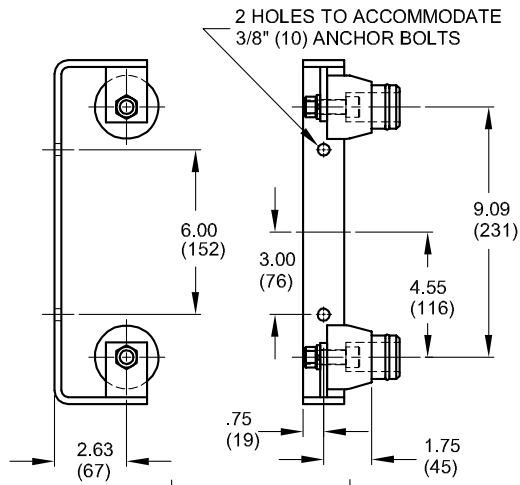
## PAINT

Air dry enamel, water based.



inches  
(mm)

SPECIFICATIONS

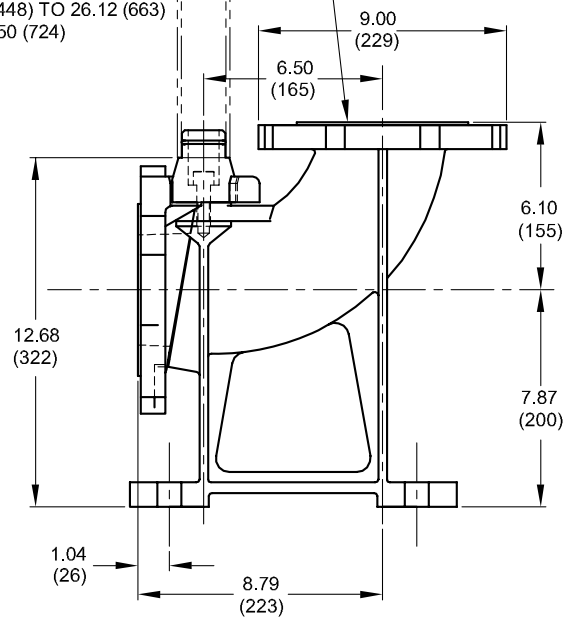
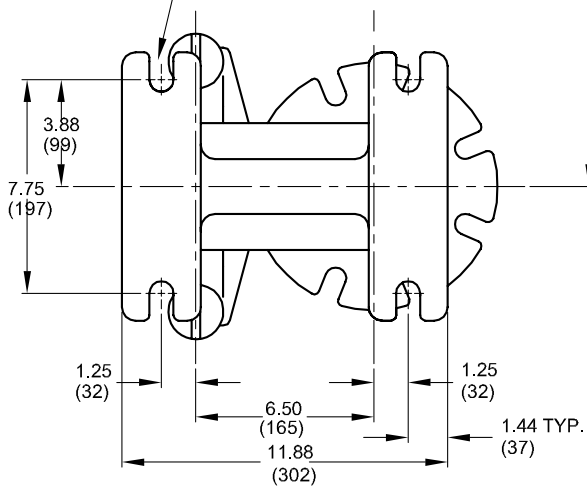


1-1/2" (38) SCH. 40 PIPE

125 LB. 4" (102) RAISED FACE FLANGE

4 SLOTS TO ACCOMMODATE 3/4" (19) ANCHORE BOLTS

DUPLEX = 17.62 (448) TO 26.12 (663)  
TRIPLEX = 28.50 (724)



MODEL	PART No.	SIZE	RAILS	COUPLING	WEIGHT (pounds)
SRC4	62170801	4"	1½"	w/ upper guide bracket	117
SRC4-FA	62170817	4"	-	flygt adapter	36