

SLIDE RAIL ADAPTER

Discharge:
4" or 6" ANSI flange.

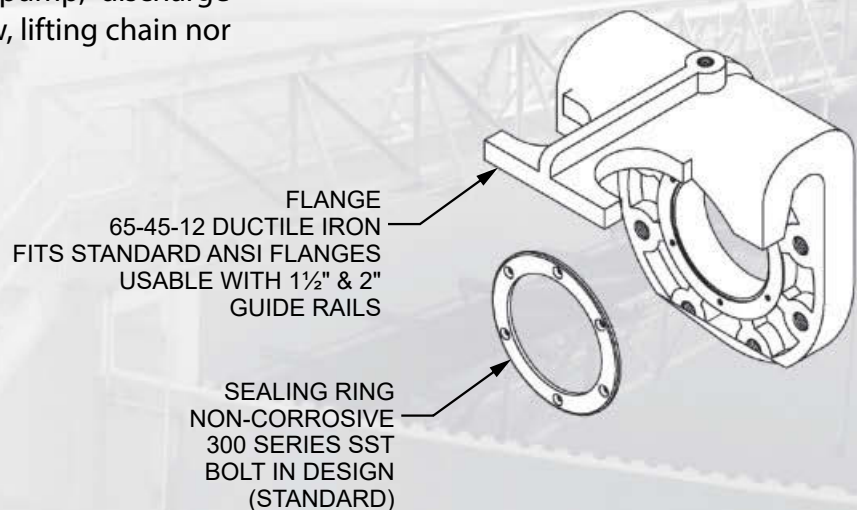


FEATURES

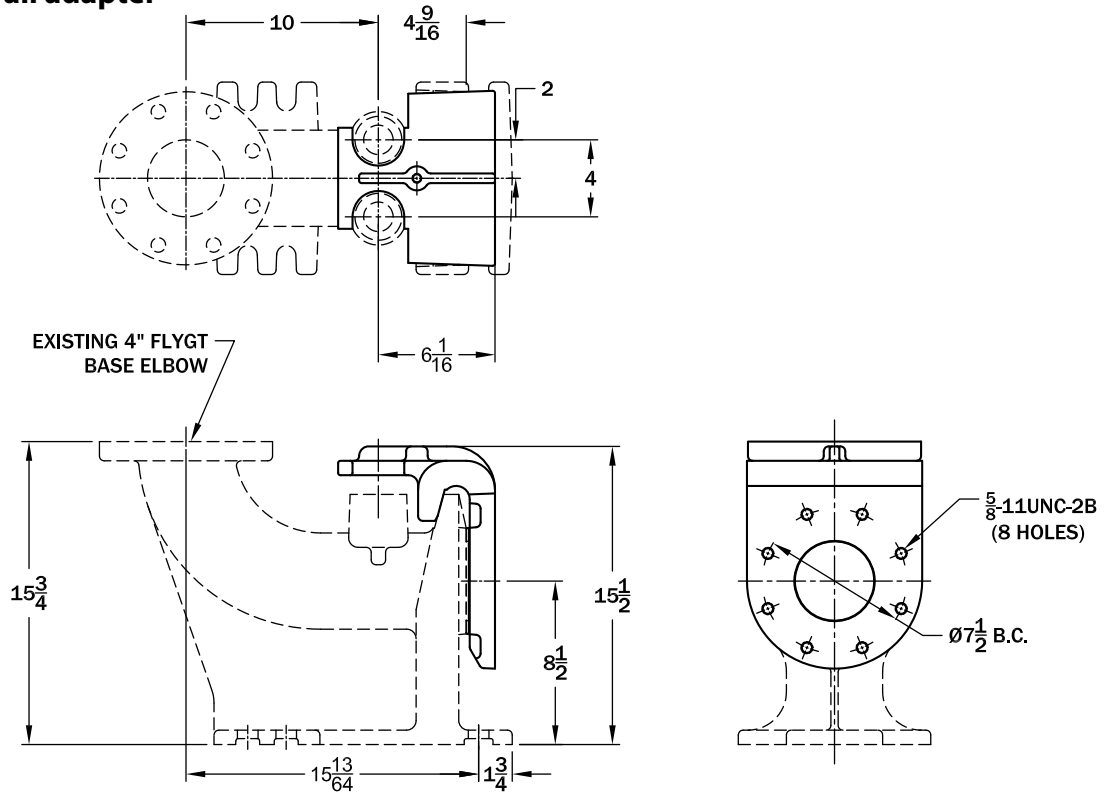
The design of the Slide Rail Couplings allows the submersible pump to be installed or removed without requiring personnel to enter the wet well.

- ▶ **Discharge:** 4" or 6" ANSI flange.
- ▶ **Adapter:** ductile iron with stainless steel sealing ring.
- ▶ **Paint:** air dry enamel, water based.
- ▶ **Warranty:** 1 year.

Assemblies **do not** include pump, discharge piping, guide rails, base elbow, lifting chain nor gate valve and handle.



4" slide rail adapter



barmesapumps.com

6" slide rail adapter

