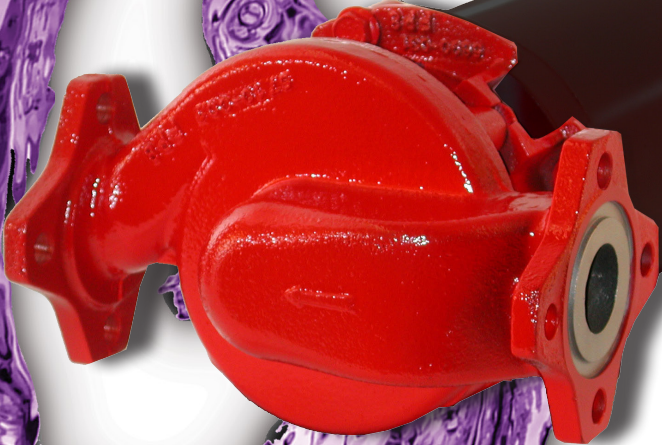


# Inline Centrifugal Circulator Pumps

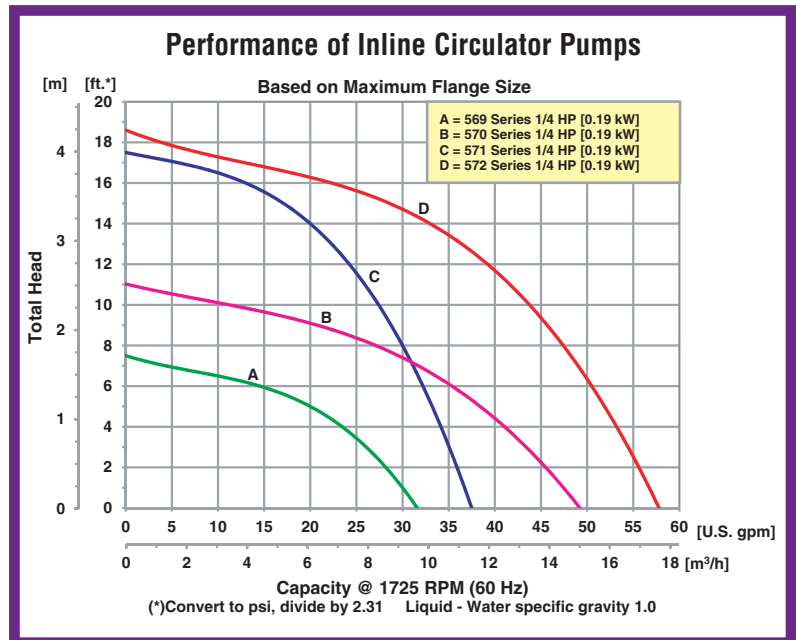
- **Cast Iron Construction**
  - **EPDM/EPR Mechanical Seal and Casing O-ring, Buna-N Option Available**
  - **Investment Cast Stainless Steel Impeller with 569/570/571 Series, 572 Series Includes Silicon Bronze Impeller**
  - **Accessory Mounting Flanges Available 3/4" to 2" NPT**
- **Maximum Temperature 225° F (107° C)\***
- **Maximum Flow 58 GPM**
- **Maximum Head 19 Ft. (8 PSI)**
- **Single Phase 1/4 HP, 1725 RPM, 115 VAC ODP 56J Motor with Overload Protection**



5710-95  
Cast Iron  
Circulator  
Pump

AMT Inline Circulator Pumps are designed for continuous duty industrial/ commercial systems. Pumps are available in a variety of material configurations to meet your specifications. All models are powered by a single phase 115 VAC ODP 56J NEMA frame 1/4 HP electric motor with 1/2-14 NPSM conduit connection. Direct coupled design eliminates stub shaft, oiled bearing and coupling, reducing maintenance. Pumps are interchangeable with other manufacturers, see cross reference on specification page.

\* Maximum temperature applies to water only.



400 Spring Street • Royersford, PA 19468 USA

[www.amtpump.com](http://www.amtpump.com) • 888-amt-pump (268-7867)

For use with nonflammable liquids compatible with pump component materials. Viton® and Teflon® are registered trademarks of E. I. DuPont.



# Inline Centrifugal Circulator Pumps

Model	Curve	HP	PH	ENC	Voltage @ 60 Hz	Full Load Amps	A	B	C	W	H**	Ship Wt. (Lbs.)
5690-95	A	1/4	1	ODP	115	5.4	2.1 [5.3]	3.1 [7.9]	3.1 [7.9]	6.3 [16.0]	13.3 [33.8]	25
5710-95	B						2.3 [5.8]	3.4 [8.6]	3.4 [8.6]	8.5 [21.6]	13.5 [34.3]	28
5720-95	C						2.3 [5.8]	3.4 [8.6]	3.4 [8.6]	8.5 [21.6]	13.5 [34.3]	28

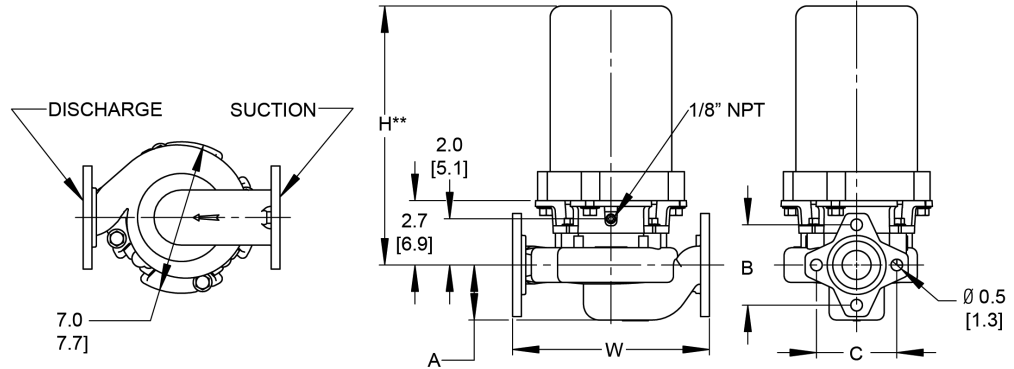
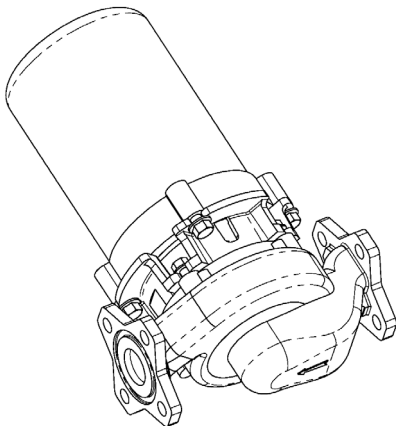
(\*\*) This dimension may vary due to motor manufacturer's specifications.

NOTE: Dimensions are in inches (centimeters) and have a tolerance of ± 1/8".

NOTE: Electric supply for ALL motors must be within ± 10% of nameplate voltage rating (e.g. 230V ± 10%=207 to 253)

569/571 Series – Stainless Steel Impeller  
572 series – Bronze Impeller

**PUMPS ARE DESIGNED TO MOUNT HORIZONTALLY OR VERTICALLY**



## Connection Flanges - Flange Kit Model Numbers

Flanges Available - Standard NPT (Female) Pipe Thread

Model Series	3/4"	1"	1-1/4"	1-1/2"	2"	Flange Face to NPT Face Thickness
569 Series XCI	C569-90	C569-91	C569-92	N/A	N/A	3/4"
571 Series XCI	C570-90	C570-91	C570-92	C570-93	N/A	3/4"
572 Series XCI	N/A	N/A	N/A	N/A	C570-98	1-1/2"

NOTE: NPT Flange Kits Include: 2 Flanges, 2 Buna-N Gaskets, 4 Bolts and Nuts

## Standard Features

- 4-Bolt Flange Allows 360° Mounting Rotation in 90° Increments
- 1/8" NPT Seal Wash/Vent Port Shipped Plugged
- EPDM/EPR Mechanical Seals and O-Rings
- Optional Buna-N Mechanical Seal and O-Ring Available
- Close Coupled Design Reduces Maintenance Requirements
- Standard NEMA 56J Motor Mounting Dimensions
- Stainless Steel (300 Series) Motor Shaft
- High Efficiency Closed Impeller
- Inline Centered Design, Centerline of Ports In Line with Motor Shaft
- Maximum Working Pressure 150 PSI
- QSP: Quick Ship Pump for Many Models

## Manufacturer Cross Reference

Model Series	Flange to Flange Width*	Bell & Gossett	Armstrong Series	TACO Series	Dayton (Cast Iron)
569	6.4	100NFI	S-25	110	4RD16
571	8.5	PR	H-41	113	4RC91
572	8.5	2NFI	S-35	120	4RC95

\*Refers to B Dimensions



Manufacturer of AMT & IPT Pumps

400 Spring Street • Royersford, PA 19468 USA

[www.amtpump.com](http://www.amtpump.com) • 888-amt-pump (268-7867)

The Gorman-Rupp Company reserves the right to discontinue any model or change specifications at any time without incurring any obligation.  
©2012 American Machine and Tool Company. All rights reserved.



0922